



Spreader SS500

PARTS LIST

General Information

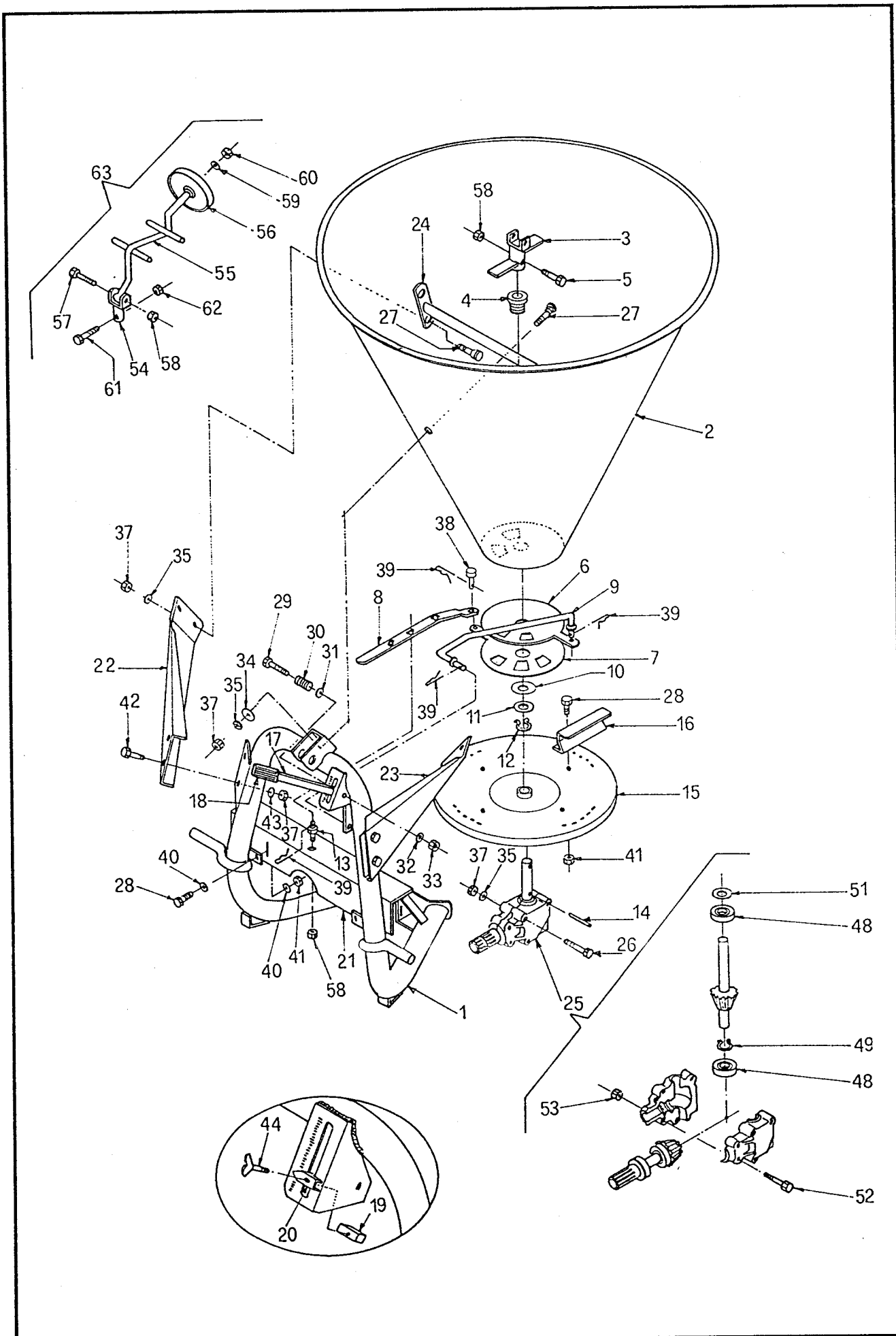
Serial No. Prefix SS500.....I---> 10367 K

Serial number is located on front RH side of frame.

Special Notes :

- ▼ Left Hand
- ▼▼ Right Hand
- ▲ Upper
- ▼ Lower
- ▼▼ Width
- ▼▼ Length
- ↑ To Serial Number
- ↓ From Serial Number
- ↺ rpm
- ◀ Alternative
- * Change since last print
- 306357x6 Quantity
- 306357# Quantity as required
- ≡ Only for
- ⌋ Central
- ⌋ Offset
- Z Number of teeth

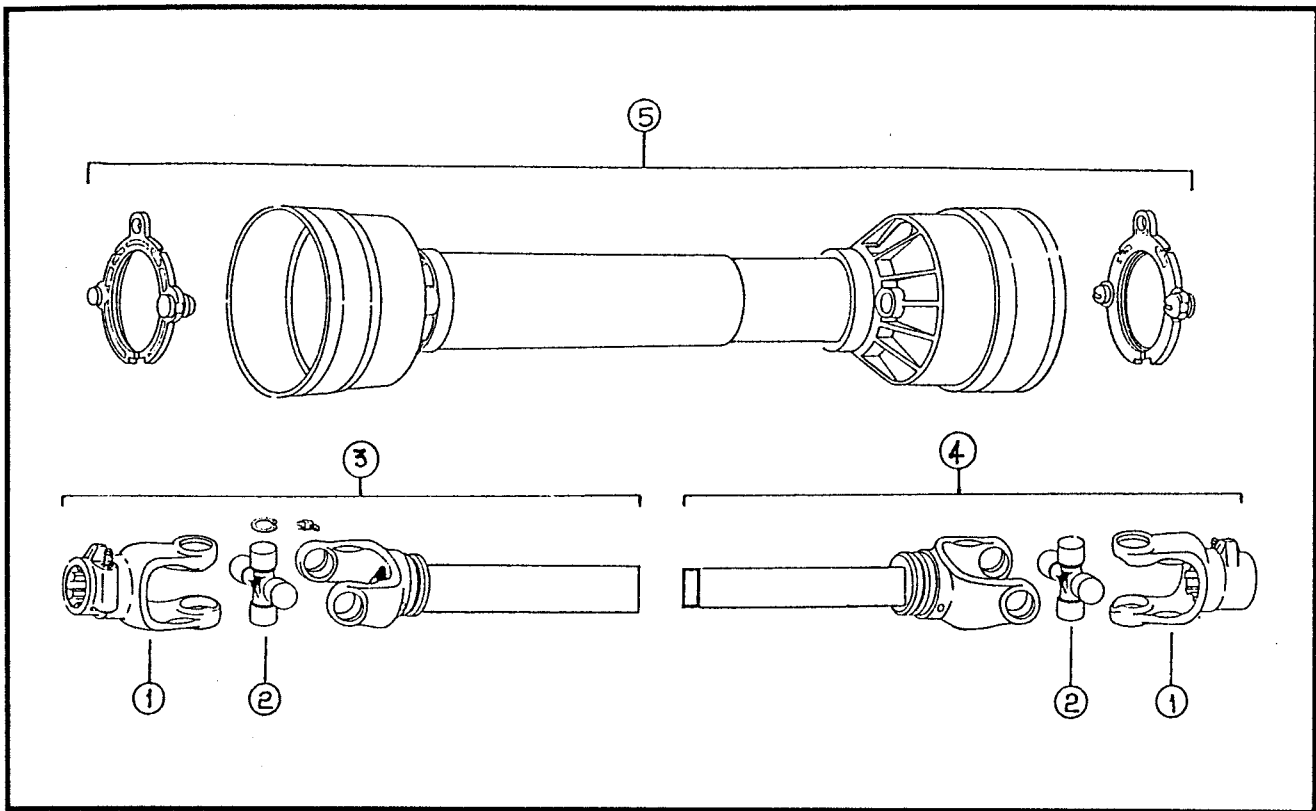
Catalogue no.	Issue	Page Affected
77092/SS500	1/94	New Issue



BODY & GEARBOX (SS500 Spreader)

BODY & GEARBOX (SS500 Spreader - units S/N 10367 K and onwards) 12/93

Item	Part No.	Description	Qty	
1	S400.050	Frame	1	
2	S400.057	Hopper	1	
NI	S400.057C	Cover for Hopper	1	
3	S400.046	Agitator	1	
4	S400.058	Bush	1	
5	301208455	Bolt M8 x 45	1	
6	S400.059	Disc	1	
7	S400.060	Spreading Adjustment Disc	1	
8	S400.061	Lever	1	
9	S400.062	Rate Adjustment Rod	1	
10	S400.063	Washer	1	
11	S400.064	Shim	NLA	
12	208002080	Circlip	1	
13	S400.047	Pin	1	
14	S600.108	Pin	1	← 208089450
15	S400.065	Spinner	1	
16	S400.066	Vane	4	
17	S400.067	Lever	1	
18	S600.450	Handle	1	
19	S400.001	Locking Device	1	
20	S400.021	Indicator	1	
21	S400.068	Crankcase	1	
22	S400.069	L.H Arm	1	
23	S400.070	R.H Arm	1	
24	S400.071	Brace	1	
25	S600.448	Gearbox Assy	1	
26	301610105	Bolt M10 x 100	3	
27	301410255	Bolt M10 x 25	5	
28	301408205	Bolt M8 x 20	10	
29	301210655	Bolt M10 x 65	1	
30	S400.048	Spring	1	
31	S400.049	Washer - Fibre	1	
32	308100015	Washer M10 Flat	1	
33	307210055	Nyloc Nut M10	1	
34	S600.092	Washer M12 x 36	1	
35	S600.322	Washer	8	← 308100135
36	S600.097	Washer	5	
37	307210015	Nut M10	12	
38	S400.072	Pin	1	
39	208014010	R Clip	4	
40	308080015	Washer M8	4	
41	307208015	Nut M8	10	
42	301410255	Bolt M10 x 25	4	
43	S600.024	Washer	4	
44	S600.184	Wing Screw	1	
48	S600.320	Bearing	2	
49	S600.316	Snap Ring M25	1	
51	S600.318	Seal	1	
52	301208455	Bolt M8 x 45	3	
53	307208015	Nut M8	3	
54	S400.041	Agitator Pin	1	
55	S400.042	Agitator Arm	1	
56	S400.037	Roller	1	
57	S600.134	Screw	1	
58	307208055	Nyloc Nut M8	1	
59	308120015	Flat Washer M12	1	
60	301212055	Nyloc Nut M12	1	
61	301210555	Bolt M10 x 55	1	
62	307210055	Nyloc Nut M10	1	
63	S400.043	Articulated Agitator assy.	1	← optional
NI	70755	Transfer 'SMART'	1	
NI	70756	Transfer 'Warning'	1	
NI	70757	Transfer 'Distribution'	1	
NI	70758	Transfer 'Rate Scale'	1	



DRIVE SHAFT (SS500 Spreader)

12/93

Item	Part No	Description	Qty
1-5	SS100	Shaft Assembly	1 NLA
NI	SS100L	Shaft Assy - Long (4 tri lobe)	1
1	SS101	End Yoke	2
2	SS102	Universal Cross	2
3	SS103A	Outer 1/2 Shaft Assy c/w Cover	1 NLA
4	SS104A	Inner 1/2 Shaft Assy c/w Cover	1 NLA
5	SS105	Cover Set	1