

SMART

Spreader SS

PARTS LIST

General Information

Serial No. Prefix SS.....

Serial number is located on front RH side of frame.

Special Notes:

◀	Left Hand	◀	Alternative
▶	Right Hand	*	Change since last print
▲	Upper	306357x6	Quantity
▼	Lower	306357#	Quantity as required
◀▶	Width	≡	Only for
◀▶	Length	≡	Central
T	From serial number	≡	Offset
T	Up to serial number	Z	Number of teeth
↻	rpm		

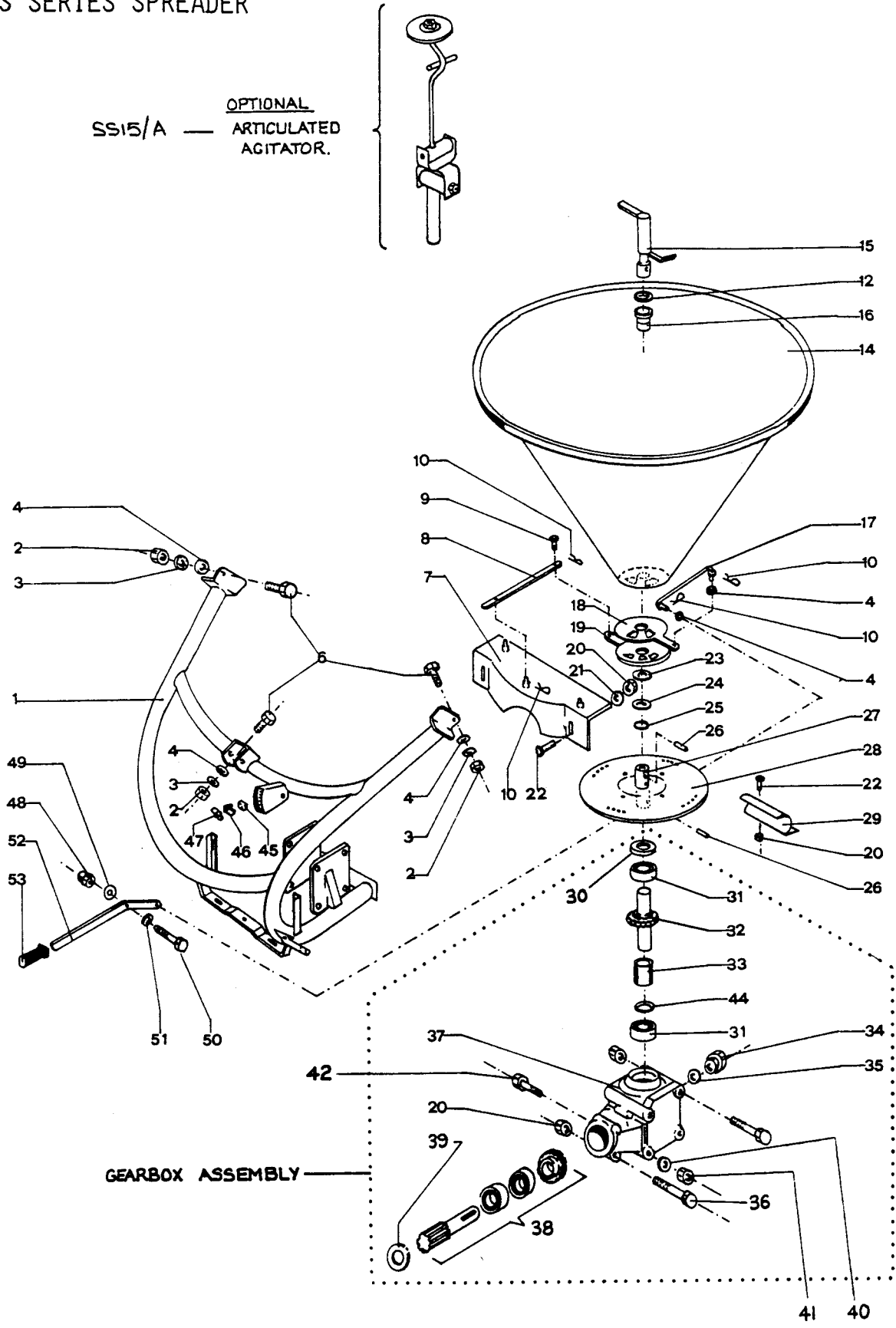
Catalogue no.	Issue	Page Affected
77092	5/90	New Issue

SMART EQUIPMENT

A division of:
Howard Australia Pty. Ltd.

SS SERIES SPREADER

SS15/A — OPTIONAL
ARTICULATED
AGITATOR.



BODY & GEARBOX [SMART SPREADER]

7/90

ITEM PART NO.	DESCRIPTION	QTY.	ITEM PART NO.	DESCRIPTION	QTY
1	SS1/250 Frame SS250	(a) 1	52	SS52 Adjustment Lever	1
	SS1/500 Frame SS500	(a) 1	53	SS53 Rubber Handle	1
2	307210015 Nut M10	3			
3	308100135 Washer M10	3			
4	308100015 Washer M10 Flat	5			
6	321210255 Coach Bolt M10x25	3			
7	SS7 Crankcase	1			
8	SS8 Direct'n Adjustment	1			
9	SS9 Pin	1			
10	208014010 R Clip	4			
12	SS12 Rubber Washer	1			
14	SS14/250 Hopper SS250	1			
	SS14/500 Hopper SS500	1			
15	SS15 Agitator	1			
16	SS16 Bush	1			
17	SS17 Adjustment Bar	1			
18	SS18 Disc-Spread Quantity	1			
19	SS19 Disc-Spread Direct'n	1			
20	307208015 Nut M8	14			
21	308080015 Washer M8 Flat	2			
22	301408165 Setscrew M8 x 16	10			
23	SS23 Washer - Thin	1			
24	SS24 Washer - Thick	1			
25	208002080 Circlip	1			
26	208089450 Spring Dowel	3			
27	SS27 Boss	1			
28	SS28 Spinner	1			
29	SS29 Vane	4			
	SS30-41 Gearbox Assy (b) 1	1			
	(Items 30 - 39)				
30	26472507A Oil Seal	1	30	26472507A Oil Seal	1
31	252552151 Bearing	2	31	252552151 Bearing	2
32	(c) Shaft	1	32	(c) Shaft	1
33	(c) Spacer	1	33	(c) Spacer	1
34	(c) Oil Cap	1	34	(c) Oil Cap	1
35	(c) Oil Cap Seal	1	35	(c) Oil Cap Seal	1
36	303208455 Bolt M8 x 45	8	36	303208455 Bolt M8 x 45	8
37	(c) Gearcase LH	1	37	(c) Gearcase LH	1
	(c) Gearcase RH	1		(c) Gearcase RH	1
38	(c) Shaft Assy	1	38	(c) Shaft Assy	1
39	264735072 Oil Seal	1	39	264735072 Oil Seal	1
40	308100135 Washer M10	3/4			
41	307210015 Nut M10	3/4			
42	301610125 Bolt M10 x 120	3/4			
43	SS43 Gearcase RH	1			
44	SS44 Washer	1			
45	SS45 Block	1			
46	SS46 Indicator	1			
47	SS47 Wing Screw	1			
48	307210055 Locknut M10	1			
49	308100065 Washer M10 Flat	1			
50	301210455 Bolt M10 x 45	1			
51	SS51 Spacer	1			

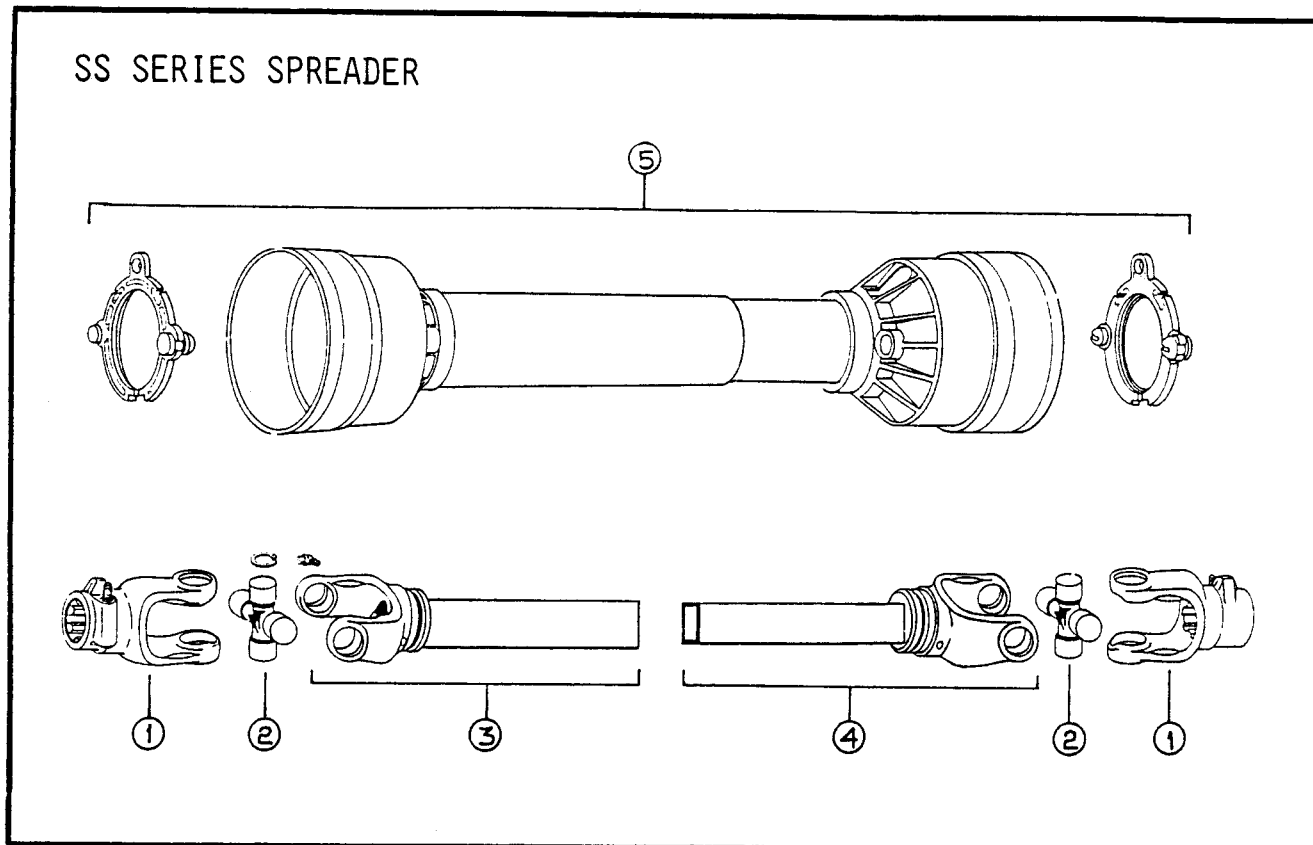
(a) Frame differs for later style gearbox, - see note

(b) SS30-41 Gearbox has 4 fixing bolts, a lubricant filling plug, and is 95 mm wide.

SS30-41/A Gearbox has 3 fixing bolts, no lubricant filling plug (factory filled for life), 84 mm wide.

(c) Parts not available except as an assembly.

SS SERIES SPREADER



DRIVE SHAFT [SMART SPREADER]

7/90

Item	Part No.	Description	Qty.
1-5	SS100/L	Shaft Assembly	1
1	SS101	End Yoke	2
2	SS102	Universal Cross	2
3	SS103	NLA Outer Shaft & Yoke	1
4	SS104	NLA Inner Shaft & Yoke	1
5	SS105	Cover Set	1