

# SMART

## Mower SM

### PARTS LIST

#### General Information

Serial No. Prefix SM.....

Serial number is located on front RH side of frame.

#### Special Notes:

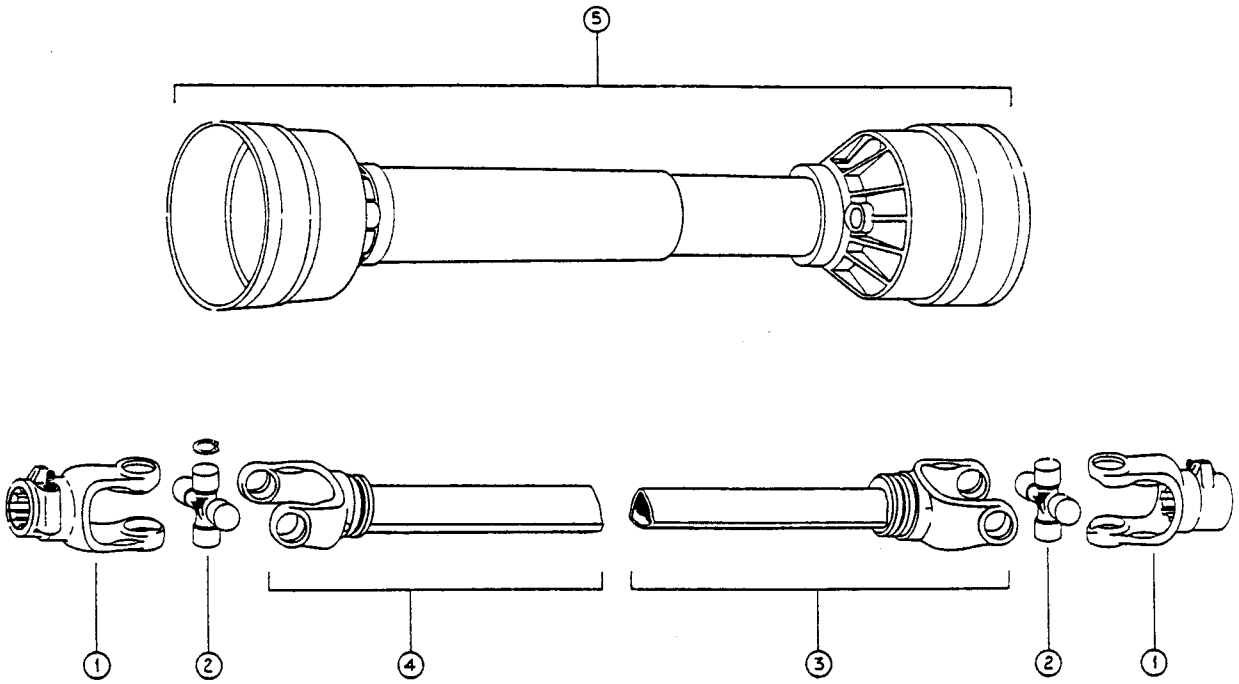
▲	Left Hand	↘	Alternative
▼	Right Hand	*	Change since last print
▲	Upper	306357x6	Quantity
▼	Lower	306357#	Quantity as required
▲▲	Width	FF	Only for
▲▲	Length	FF	Central
TT	From serial number	Z	Offset
TT	Up to serial number		Number of teeth
↻	rpm		

Catalogue no.	Issue	Page Affected
77093	5/90	New Issue

**SMART EQUIPMENT**

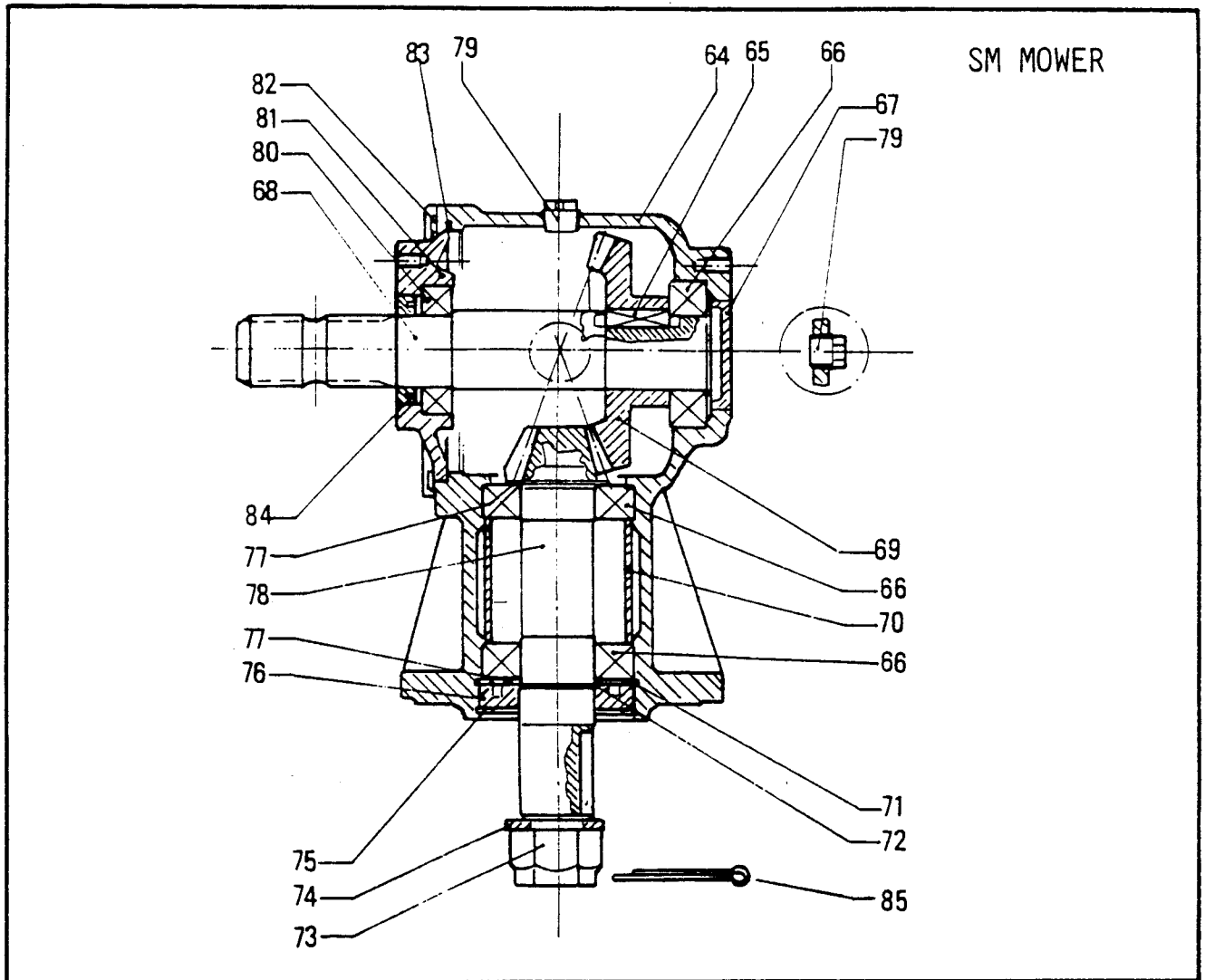
A division of:  
Howard Australia Pty. Ltd.

SM MOWER



**PTO DRIVE SHAFT #102**

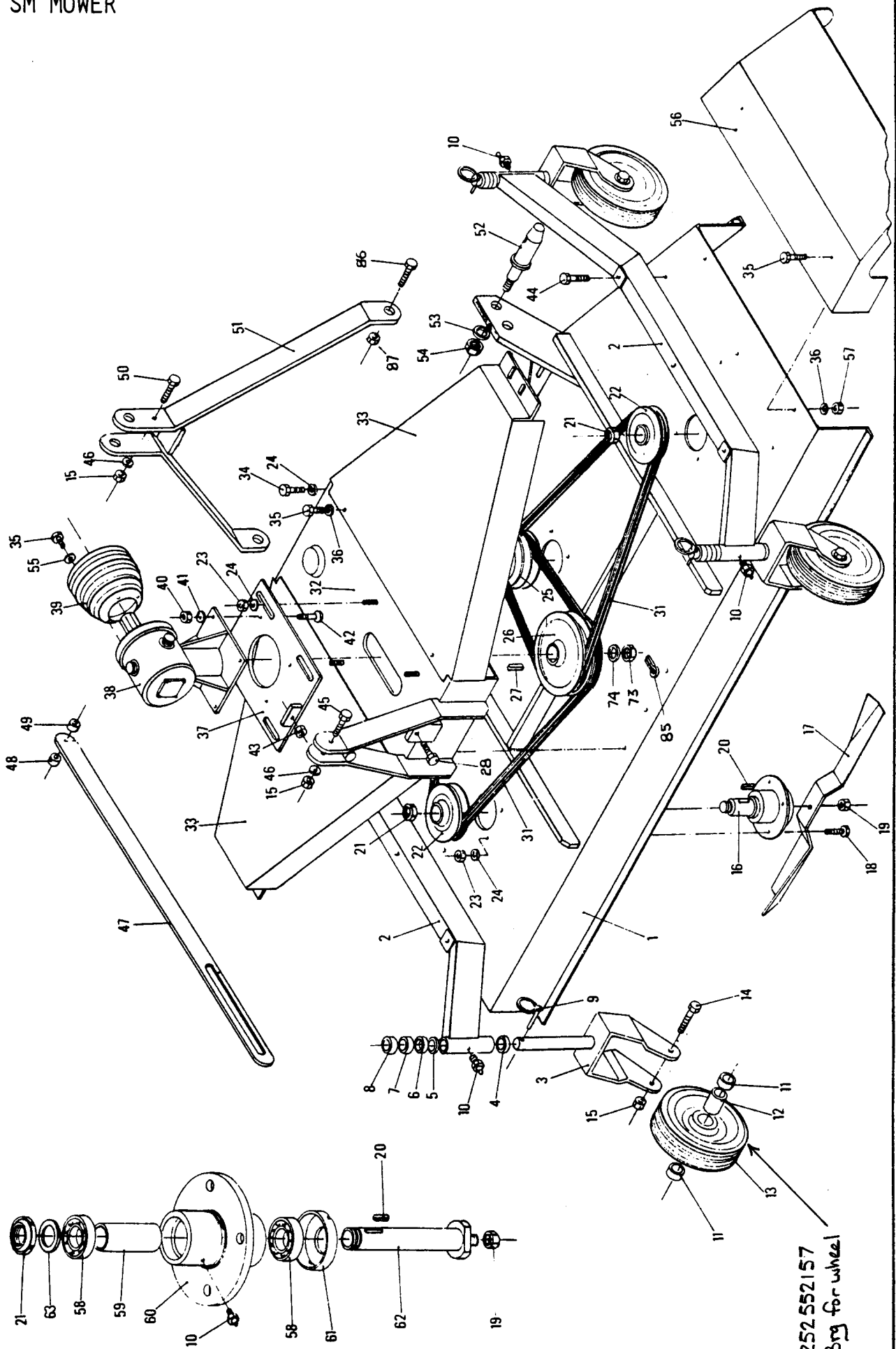
Item	Part No.	Description	Qty
1-6	SM100	Shaft Assembly	1
1	204051790	Yoke	2
2	204056610	Universal Cross	2
3	204052016	Yoke & Inner Tube	1
4	204052015	Yoke & Outer Tube	1
5	204055051	Cover Set	1



## GEARBOX

Item	Part No.	Description	Qty
64-85	SM38	Gearbox Assy	1
64	SM64	Gearcase	1
65	8.4.1.00993	Key 10 x 8 x 30	1
66	253572176	Bearing	2
67	SM67	Cap	1
68	SM68	Shaft	1
69	SM69	Crownwheel	1
70	SM70	Spacer	1
71	208001310	Circlip	1
72	208002380	Circlip	1
73	8.2.2.00515	Nut M24	1
74	308240015	Flat Washer M24	1
75	SM75	Ring	1
76	267235123	Seal	1
77	SM77	Shim	As Req.
78	SM78	Spindle/Pinion	1
79	203031180	Plug	2
80	253562141	Bearing	1
81	SM81	Cover	1
82	SM82	Gasket	1
83	SM83	Gasket	1
84	265235071	Seal	1
85	208010860	Split pin	1

SM MOWER



252 552157  
Big for wheel

**BODY** SM MOWER

Item	Part No.	Description	Qty	Item	Part No.	Description	Qty
1	-	Shield	1	41	308140045	S.Washer M14	4
2	SM2/120	Support SM120	2	42	SM42	Bolt	4
	SM2/150	" SM150	2	43	307210015	Nut M10	1
	SM2/180	" SM180	2	44	301210805	Bolt M10x80	5
3	SM3	Castor	4	45	301212455	Bolt M12x45	1
4	SM4	Spacer 12mm	4	46	308120015	Washer M12	2
5	SM5	" 2mm	4	47	SM47/120	Back Stay SM120	1
6	SM6	" 6mm	4		SM47/150	" " SM150	1
7	SM7	" 25mm	4		SM47/180	" " SM180	1
8	SM8	" 32mm	4	48	SM48	Spacer	2
208092040 Ø 8mm - 9	208092010	Spring Pin 4.5 Ø	4	49	SM49	Bush	1
10	202030870	Grease Nipple	7	50	301212905	Bolt M12x90	1
11	SM11	Spacer	8	51	SM51/120	Headstock SM120	1
12	SM12	Bush	4		SM51/150	" 150/180	1
13	SM13	Wheel Assy	4	52	70072	Hitch Pin	2
14	301612115	Bolt M12x110	4	53	108142245	Washer	2
15	307212055	Nut M12 conelok	6	54	107114015	Nut	2
16	SM16	Spindle Assy	3	55	308080015	Washer M8	4
		Items 58-62		56	SM56/120L	Guard SM120L	1
17	SM17/120	Blade SM120	3		SM56/150L	" SM150L	1
	SM17/150	" SM150	3		SM56/180L	" SM180L	1
	SM17/180	" SM180	3	57	307208015	Nut M8	2
18	301410255	Setscrew M10x25	12	58	SM58	Bearing (252552157)	6
19	SM19	Nut	3	59	SM59	Spacer	3
20	SM20	Key	3	60	SM60	Housing	3
21	SM21	Ring Nut	3	61	SM61	Guard	3
22		Pulley		62	SM62	Spindle	3
	SM22/120	SM120(80mm)	2	63	SM63	Washer	3
	SM22/150	SM150,180(130mm)	2	73		Refer Gearbox Parts List	
23	307210015	Nut M10	12	74	" " " "		
24	308100045	Washer M10	12	85	" " " "		
25		Pulley		86	301220555	Bolt M20x55	2
	SM25/120	SM120(80mm)	1	87	307220055	Nylok Nut M20	2
	SM25/150	SM150,180(130mm)	1	NI	SM58/120R	Chain Guard SM120R	1
26		Pulley - G/Box			SM58/150R	" " SM150R	1
	SM26/120	SM120(170mm)	1		SM58/180R	" " SM180R	1
	SM26/150	SM150(220mm)	1	NI	S100.115	FLOATING LINK	1
	SM26/180	SM180(190mm)	1				
27	SM27	Key	1				
28	301410755	Setscrew M10x75	1				
29	-						
30	-						
31	20400601A	V Belt SM120	2				
	20400602A	" SM150	2				
	20400603A	" SM180	2				
32	SM32/120	Support SM120	1				
	SM32/150	" SM150	1				
	SM32/180	" SM180	1				
33	SM33/120	Belt Guard SM120	2				
	SM33/150	" " SM150	2				
	SM33/180	" " SM180	2				
34	301410255	Setscrew M10x25	4				
35	301408165	Setscrew M8x16	4				
36	308080015	Washer M8	6				
37	SM37/120	Plate SM120	1				
	SM37/150	" SM150,180	1				
38	SM38 (78088)	Gearbox Assembly	1				
		Items 64 - 85					
39	SM39	Guard	1				
40	307214055	Conelok Nut M10	4				