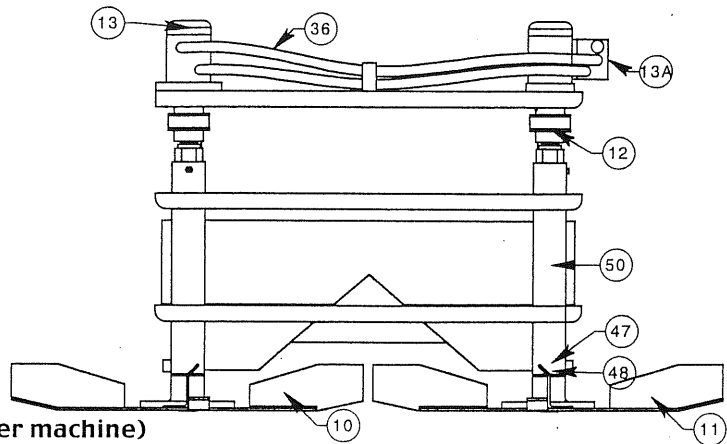


# 5 TONNE COMBO (SINGLE AXLE)

## PARTS LIST SAM COMBO TOPDRESSER

Tyre (Check size on tyre) 16 x 70 x 20  
 Wheel 20" 8 stud  
 Back Door & Screw Jacks.  
 Set of Labels (4) Rate chart label  
 Draw bar Towing swivel Eye  
 Front 1 1/2" Shaft



- CA P10. Disc 500mm Flat plate & vanes Left  
 11. Disc 500mm Flat plate & vanes Right  
 12. Flexi coupling. (check motor type)  
 13. Hydraulic motor Danfoss OMP32 or 40  
 13a. HCV 2197 Hydraulic Valve  
 16. 1 1/2" Back Shaft 1 Key  
 17. 1 1/2" Deadeye Bearing (5 per machine)  
 17a. 1 1/2" SKF2 Bolt Flange Bearing & Housing(4 Per machine)  
 18. 1" pitch chain (26 outer links & joiner)  
 18a. 1" pitch chain (25 outer links plus crank & joiner)  
 19. 1" pitch 30 tooth sprocket - 1 1/2" Bore & Key  
 20. 5 tooth floor sprocket  
 21. Complete 800 wide double chain (floor) & slats & belt  
 23. Stainless joiner  
 24. Stainless Rivets & Washer(to fix skirts in place)  
 25. 80mm x 10mm Rubber skirt (check length)  
 26. 11 Tooth 1" Pitch Sprocket - 1 1/2" Bore  
 27. 11/19 Tooth Sprocket Keyed to shaft  
 28. 1 1/2" Side Shaft (check length)  
 29. Shear Plate Assembly (1-3/4 x 1/4" H.T Bolts)  
 29a. Shear Plate AssemblyBolts (6 x 45 Bolts x 2)  
 30. 48 Tooth Gear  
 31. 22 Tooth Gear  
 32. Pin 1.25"  
 36. D200 Hose Kit Complete (7 Hoses)  
 37. Clutch Ram Double Acting(2002 series with Eyes)  
 38. 1 1/4" Compression Springs x 2  
 39. Stub Axle ADR 80mm  
 40. Seal 130 x 77  
 41. Inner Bearing 332215  
 42. Stud & Nut 18mm  
 43. Hub casting 80mm ADR  
 44. Outer Bearing 32211  
 45. Hubcap  
 46. Castle Nut 36mm  
 47. Bearing 67048/010  
 48. Seal TC 150 23337 (PR6521)  
 50. Spinner Tube Assembly Complete Combo

