

3 TONNE (CURRENT)

HOWARD

PARTS LIST SAM 400 WIDE MAT TOPDRESSER

Tyre (Check size on tyre) 290 x 80 x 389

Wheel 15.3" 6 stud

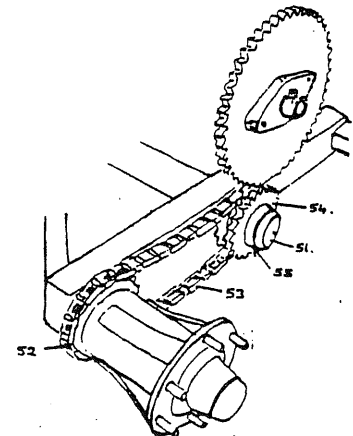
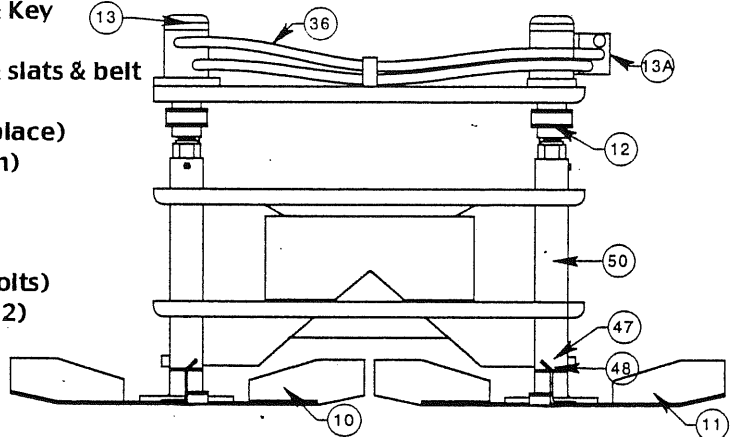
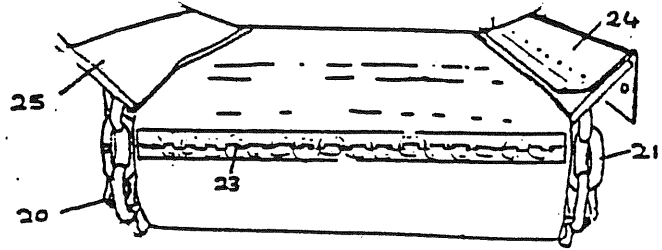
Back Door & Screw Jack.

Set of Labels (4) Rate chart label

Draw bar Towing Eye

Front 1 1/2" Shaft

- CA P 10. Disc 500mm Flat plate & vanes Left
11. Disc 500mm Flat plate & vanes Right
12. Flexi coupling. (check motor type)
13. Hydraulic motor Danfoss OMP32 or 40
13a. HCV 2197 Hydraulic Valve
16. 50mm Back Shaft 1 Key *
17. 1 1/2" Deadeye Bearing (2 per machine)
18. 1" pitch chain (Single 46 outer links & joiner)
18a. 1" pitch chain (Tandem 46 outer links plus joiner)
19. 1" pitch 30 tooth sprocket - 50mm Bore & Key
20. 5 tooth floor sprocket
21. Complete 400 wide double chain (floor) & slats & belt
23. Stainless joiner
24. Stainless Rivets & Washer (to fix skirts in place)
25. 80mm x 10mm Rubber skirt (check length)
26. 11 Tooth 1" Pitch Sprocket - 1 1/2" Bore
27. Roller & Spring
28. 1 1/2" Side Shaft (check length)
29. Shear Plate Assembly (1-3/4 x 1/4" H.T Bolts)
29a. Shear Plate Assembly Bolts (6 x 45 Bolts x 2)
30. 48 Tooth Gear
31. 22 Tooth Gear
32. Pin 1"
36. D200 Hose Kit Complete (6 Hoses)
37. Clutch Ram Double Acting 3/4" Eyes
38. 1 1/4" Compression Springs x 2
39. Stub Axle ADR 60mm
40. Seal 70*100*10
41. Inner Bearing 30211
42. Stud & Nut 18mm
43. Hub casting
44. Outer Bearing 30208
45. Hubcap
46. Castle Nut 36mm
47. Bearing 67048/010
48. Seal TC 150 23337 (PR6521)
50. Spinner Tube Assembly Complete
56. 1.5" 2 Bolt Flange Bearing X two



Parts on Tandem Only

51. Hubcap 90mm
52. 14 Tooth Sprocket 5" bore
53. Chain CA550 (16 outer links+crank+joiner)
54. 12t Sprocket & 22 Tooth Gear assembly
55. Bearings 2x 30210 and Seal 60x90x10

