

kw/da/21.09.92

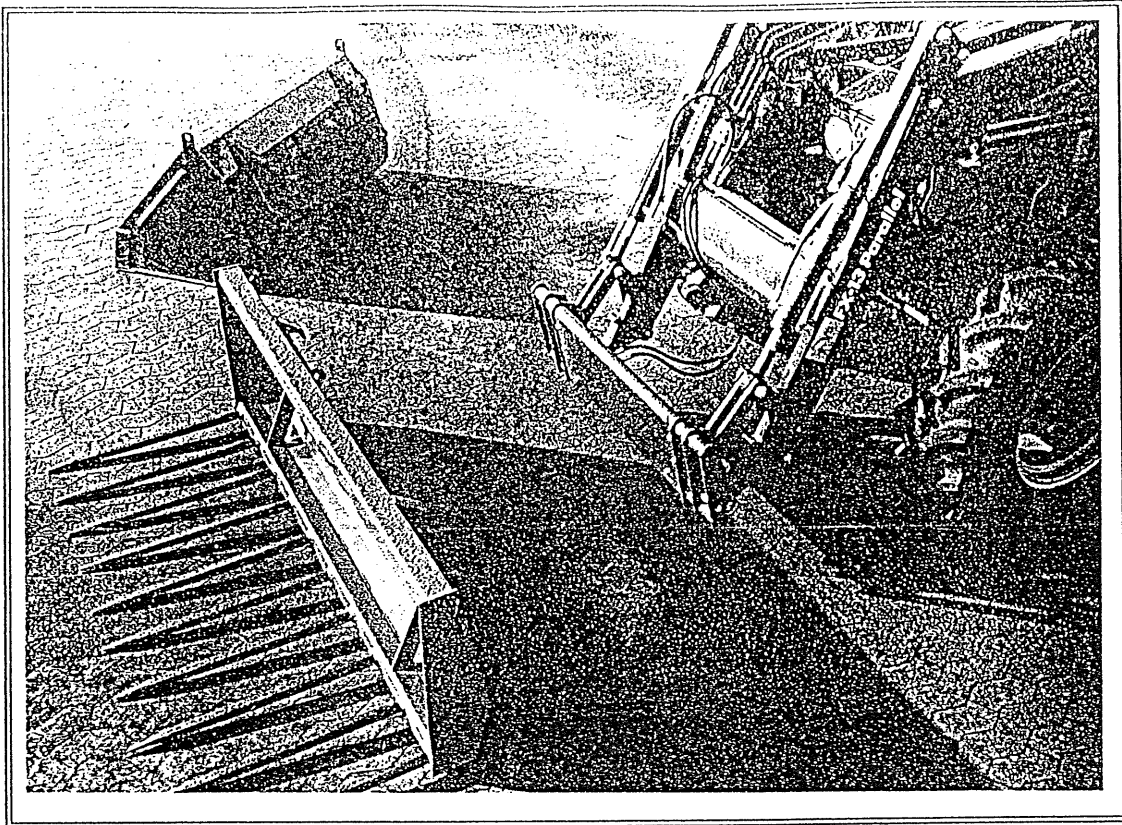
HYDRAULIC ENGAGING AND DISENGAGING OF THE ATTACHMENT BY MEANS OF THE "LOCK-LOAD" SYSTEM

Because:

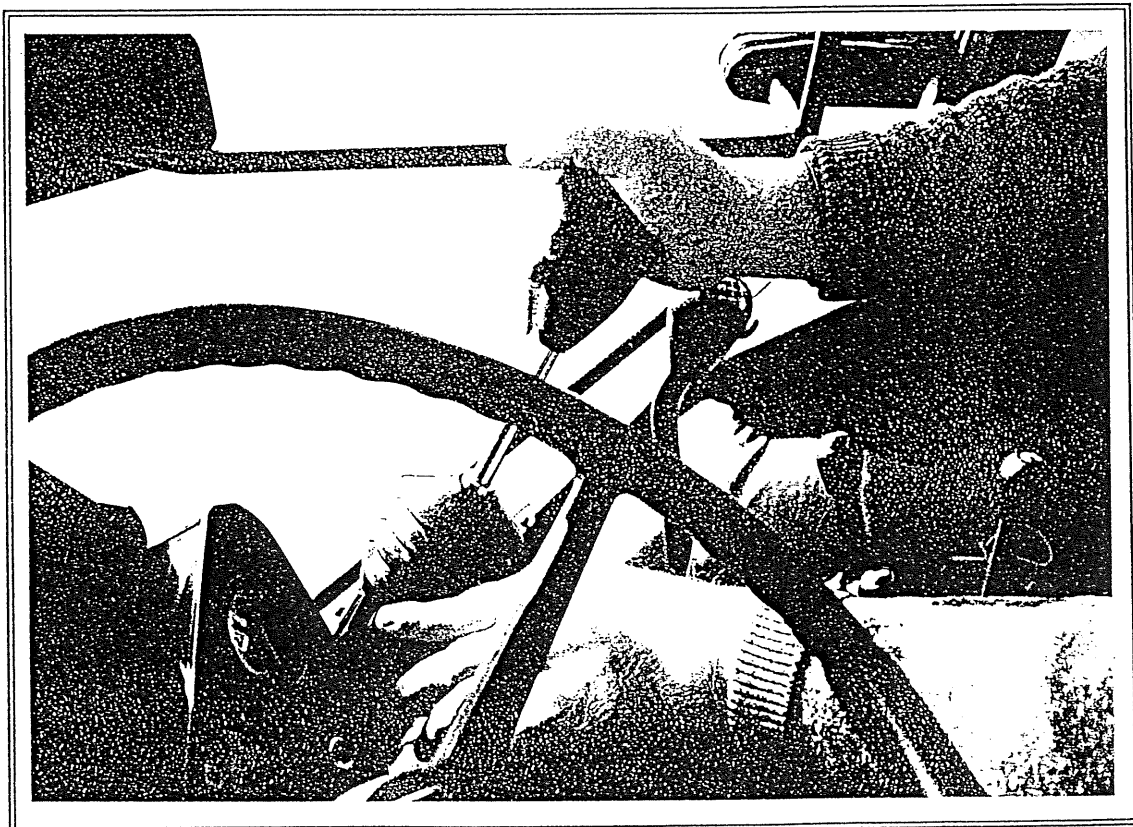
- engaging and disengaging of the attachment is carried out from the driver's seat.
- The "Lock-Load" equipment can be used in combination with both hose and valve kits.
- no electric selector valve for the 3rd function or a 3-section valve kit are required (the 3rd function is available for e.g. silage fork).
- the hydraulic "Lock-Load" lock cylinder has been built into the attachment frame and is protected by two guarding plates.
- the locking pawls are mounted directly on the hydraulic cylinder. This way there will be no pivot joints and connection rods which are worn and need re-adjustment.

Extra security:

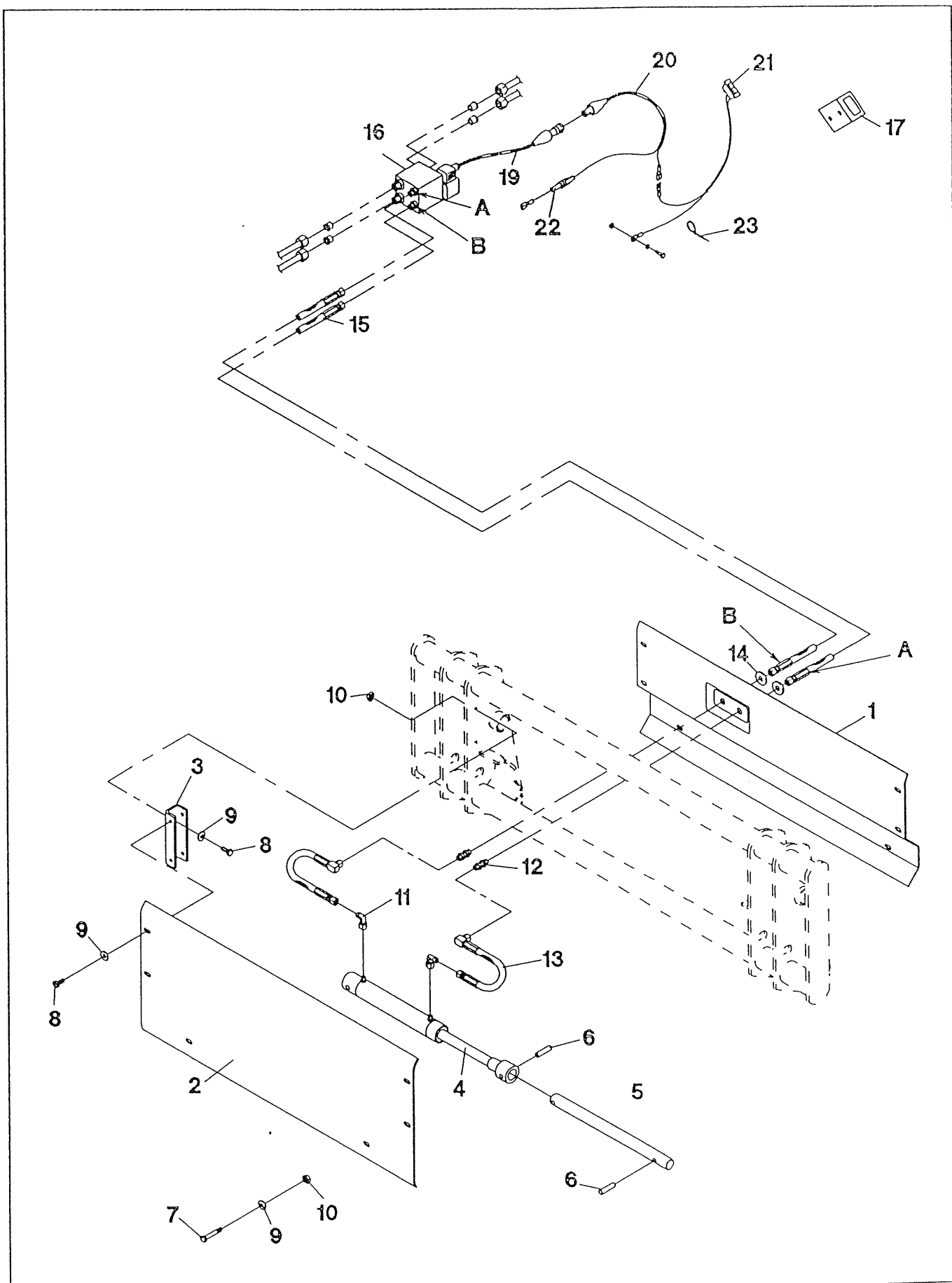
- During work with the front-end loader there is a constant oil pressure on the hydraulic "Lock-Load" lock system. Therefore there will always be compensation for a sudden oil leakage.
- The operating switch is not mounted on the control handle. Therefore there exists no risk of unintentional use of the "Lock-Load" system during loading.
- The "Lock-Load" system is provided with extra security. When disengaging the attachment the electric switch is activated by the left hand and the control handle for the bucket movement is operated by the right hand.
- As extra security you can - from the driver's seat - see whether the locking pawls are in or out - i.e. whether the attachment is locked or not.



The hydraulic lock cylinder is well protected by the two profiled guard plates. The electro-hydraulic operation valve is built into the hydraulic circuit.



During engaging and disengaging the electric switch is activated by the left hand simultaneously with the right hand operating the hydraulics. If the loader is not equipped with a valve kit the electric switch can be mounted in the instrument board.



HYDRAULISK REDSKABSLÅS (VETO)
 HYDRAULIC ATTACHMENT LOCK (VETO)
 HYDRAULISCHES GERÄTESCHLOSS (VETO)
 SERRURE D'OUTIL HYDRAULIQUE (VETO)

NR.NO. : 2005096
 REV.REV. : R0
 DATO/DATE: 110293
 SIDE/PAGE: 2-2

POS	DEL NR	STK	BENÆVNELSE	DESCRIPTION	BESCHREIBUNG	DESIGNATION
POS	PART NO	QTY				
BILD	TEIL NR	STÜCK				
POS	REF	QTE				
	2005081	1	PÅBYGNINGSÆT FOR REDSKABSRAMME	EXTENSION KIT FOR ATTACHMENT CARRIER	ANBAUSATZ FÜR GERÄTERAHMEN	JEU DE CONSTRUCTION ADDITIONNELLE POUR CHASSIS D'OUTIL
1	2005083	1	DÆKPLADE	COVER PLATE	DECKPLATTE	PLAQUE DE COUVERTURE
2	2005085	1	LÅG	LID	DECKEL	COUVERCLE
3	2005084	2	U-BESLAG	U-BRACKET	U-BESCHLAG	U-SUPPORT
4	2005068	1	CYLINDER	RAM	ZYLINDER	VERIN
5	2005086	2	AKSEL	SHAFT	WELLE	ARBRE
6	513940	4	SPÆNDSTIFT Ø10X40	TENSION PIN	SPANNSTIFT	GOUPILLE ELASTIQUE
7	540493	2	STÅLBOLT M8X100	STEEL BOLT	STAHLBOLZEN	VIS
8	550216	8	SÆTSKRUE M8x16	SET SCREW	SETZSCHRAUBE	VIS
9	550225	4	SÆTSKRUE M8x25	SET SCREW	SETZSCHRAUBE	VIS
10	546208	12	PLAN SKIVE M8	WASHER	SCHEIBE	RONDELLE
11	544609	6	LÅSEMØTRIK M8	LOCK NUT	GEGENMUTTER	ECROU DE SECURITE
12	0602131	2	VINKEL 16BP04	ANGLE	WINKEL	ANGLE
13	0602814	2	FORSKRUNING 32BP04	SCREWED CONNECTION	VERSCHRAUBUNG	RACCORD
14	2005094	2	HYDRAULIKSLANGE	HYDRAULIC HOSE	HYDRAULIK SCHLAUCH	TUYAU HYDRAULIQUE
15	546214	2	PLAN SKIVE M14	WASHER	SCHEIBE	RONDELLE
	2005082	1	VENTILSÆT KOMP.	VALVE KIT	VENTILSATZ	JEU DE VALVE
16	2151151	2	HYDRAULIKSLANGE	HYDRAULIC HOSE	HYDRAULIKSCHLAUCH	TUYAU HYDRAULIQUE
17	2004297	1	EL-OMSKIFTERVENTIL	VALVE	VENTIL	DISTRIBUTEUR
18	2005109	1	BESLAG FOR KONTAKT	BRACKET	BESCHLAG FÜR SCHALTER	ADAPTATION
	2002311	1	LEDNINGSNET, KOMPLET	ELECTRIC MAINS, COMPLETE	LEITUNGSNETZ, KOMPLETT	RESEAU DE FILS, COMPLET
19	2002314	1	VENTILLEDNING	VALVE WIRE	VENTILLEITUNG	FIL DE VALVE
20	2002316	1	FORSYNINGSLEDNING	SUPPLY MAINS	VERSORGUNGSLEITUNG	RESEAU D'ALIMENTATION
21	2004529	1	EL-KONTAKT	SWITCH WITH WIRE	SCHALTER MIT LEITUNG	CONTACT AVEC CABLE
22	0602033	1	SIKRINGSHOLDER	FUSEHOLDER	SICHERUNGSHALTER	PORTE-FUSIBLE
23	356380	10	LEDNINGSREM	WIRE STRAP	LEITUNGSRIEMEN	RACCORD COWROIE DE FIL
	0602168	1	KABELSKO	CABLE BOX	KABELSCHUH	DOUILLE DE CABLE
	018147	1	KABELSKO	CABLE BOX	KABELSCHUH	DOUILLE DE CABLE
	0602167	1	KABELSKO	CABLE BOX	KABELSCHUH	DOUILLE DE CABLE
	0601616	1	SIKRING	FUSE	SICHERUNG	PLOMB FUSIBLE
	544105	1	MØTRIK M5	NUT	MUTTER	ECROU
	550020	1	SÆTSKRUE M5X20	SET SCREW	SETZSCHRAUBE	VIS
	601430	1	SIKRINGSSKIVE M5	WASHER	SCHEIBE	RONDELLE