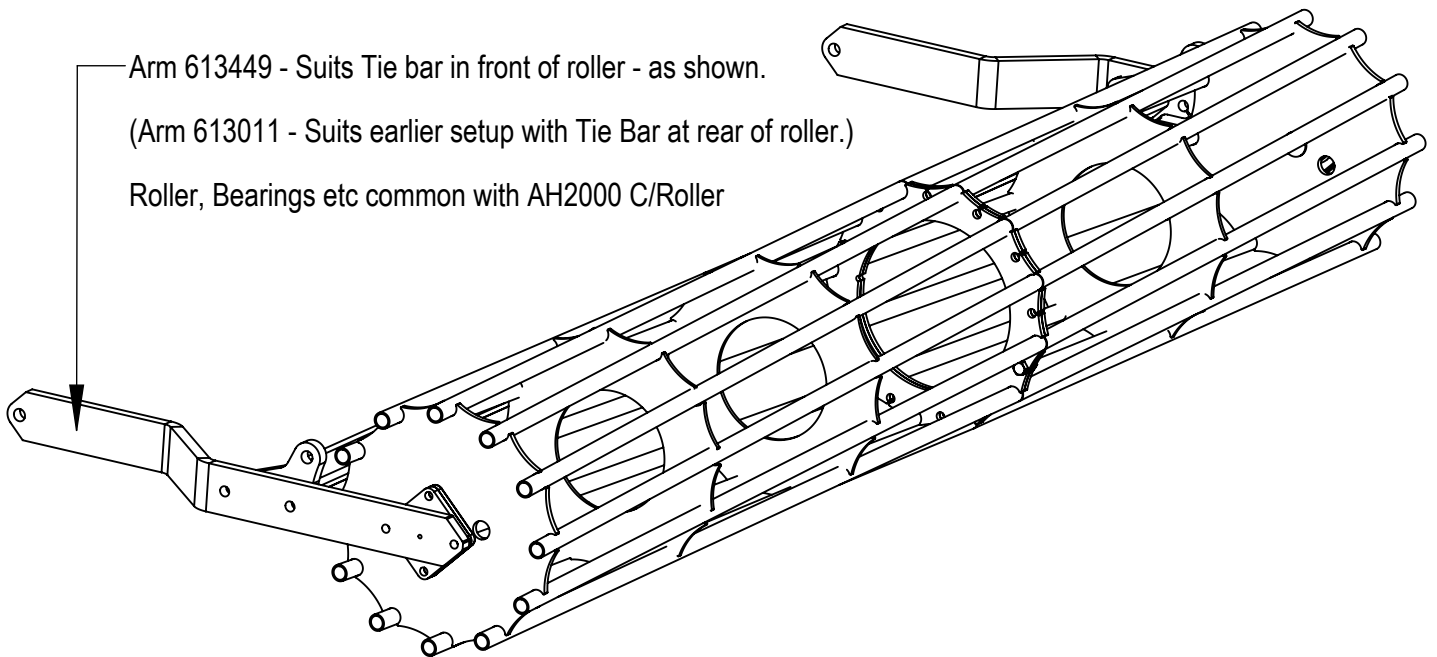




CRUMBLE ROLLER for R500 & R600 Rotavators

Drg No. / Issue 613448 /



IDENTIFICATION OF COMPONENTS FOR DESPATCH

'230 comprises:

- 78971 C/Roller 275cm lg x 1
(With Bearings and fasteners each end.)
- 613449 Arm x 2
- 613491-230 Tie Bar 280cm LOA x 1
(With Fasteners listed below.)

'255 comprises:

- 613488-145 Half Roller 145cm x 2
(With Bearings and fasteners on each axle.)
(Joining Fasteners listed below.)
- 613449 Arm x 2
- 613491-255 Tie Bar 304cm LOA x 1
(With Fasteners listed below.)

'305 comprises:

- 613488-145 Half Roller 145cm x 1
- 613488-196 Half Roller 196cm x 1
(With Bearings and fasteners on each axle.)
(Joining Fasteners listed below.)
- 613449 Arm x 2
- 613491-305 Tie Bar 354cm LOA x 1
(With Fasteners listed below.)

C/Roller Joining Fasteners
301216405 M16 x 40 x 12 Off
307216055 M16 Nyloc x 12 Off

Tie Bar Fasteners
301220755 M 20 x 75 x 4 Off
307220055 M20 Nyloc x 4