



Rotavator S

PARTS LIST

General Information

Serial No. Prefix 760A.....

Serial number is located on front RH side of frame.

Special Notes:

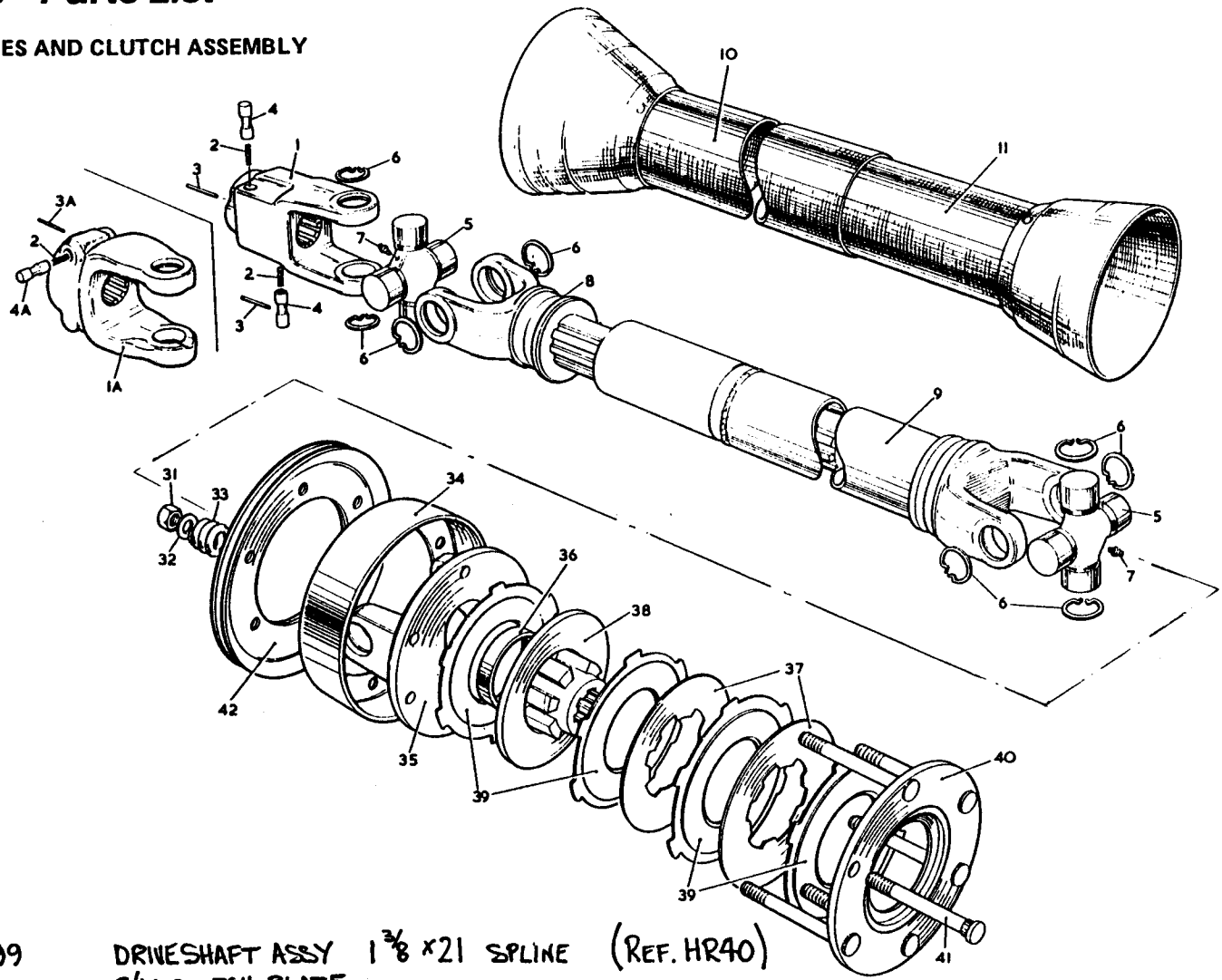
- | | | | |
|----|---------------------|----------|-------------------------|
| ↖ | Left Hand | ↘ | Alternative |
| ↗ | Right Hand | * | Change since last print |
| ▲ | Upper | 306357x6 | Quantity |
| ▼ | Lower | 306357# | Quantity as required |
| ↖↗ | Width | ≡ | Only for |
| ↖↘ | Length | ≡ | Central |
| ↕ | From serial number | ≡ | Offset |
| ↕ | Up to serial number | Z | Number of teeth |
| ↻ | rpm | | |

Catalogue no.	Issue	Page Affected
S series	5/90	New Issue

Note: Some components illustrated may no longer be available. All components have been shown for identification purposes.

Howard S Series - Parts List

UNIVERSAL JOINT ASSEMBLIES AND CLUTCH ASSEMBLY



* 204057099 DRIVESHAFT ASSY 1 3/8 x 21 SPLINE (REF. HR40)
C/W CLUTCH PLATE.

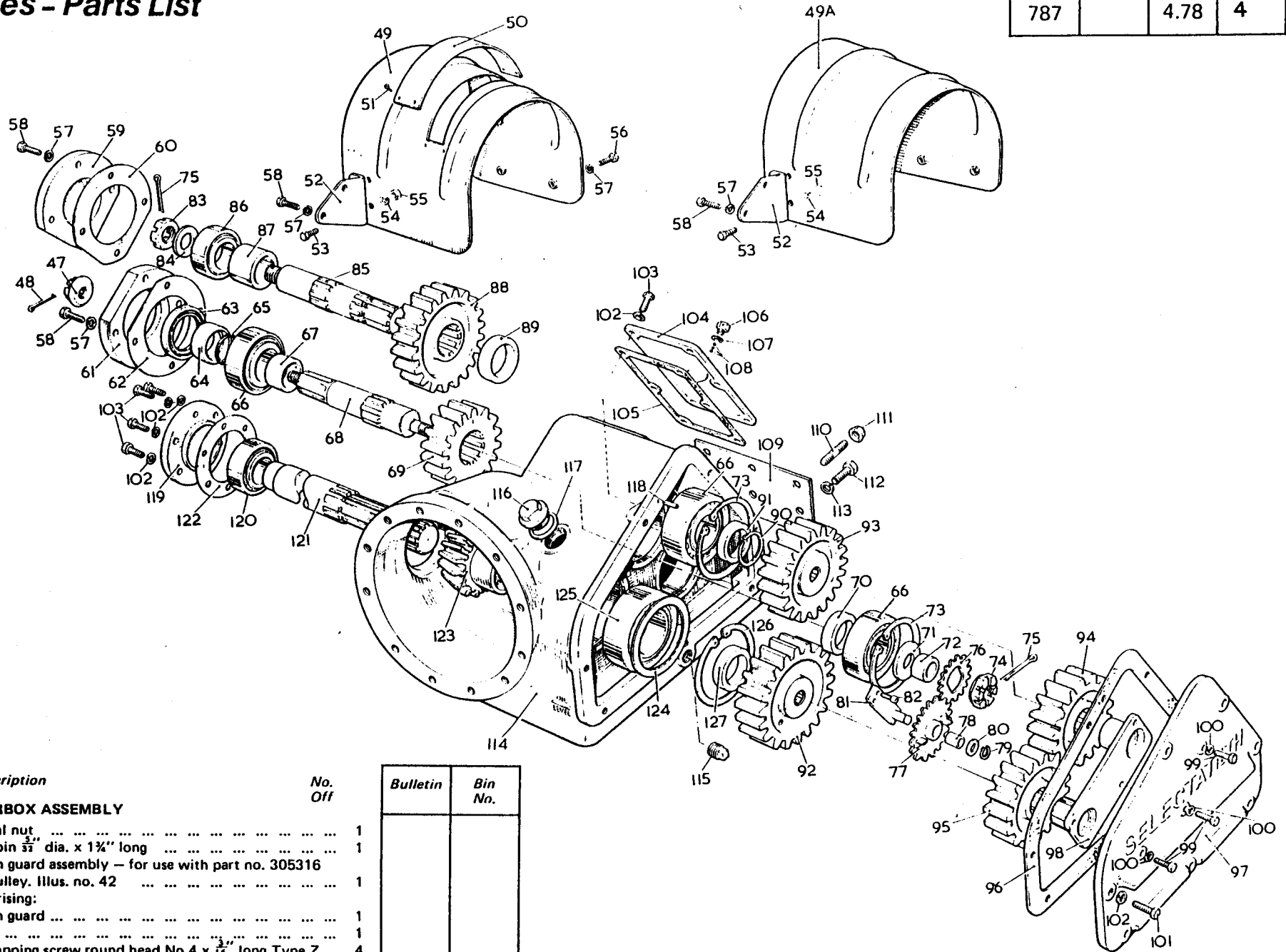
UNIVERSAL JOINT ASSEMBLIES

Part Number	Makers ref.	Tractor yoke	Operating length	Type of guard	Illus. Nos.
305312	148 - RO - 0012	1 3/4 inches x 6 spline	21 - 30 inches (52.5 - 76.2cm)	Non-rotating	1 - 11
305313	148 - RO - 0011	1 3/8 inches x 21 spline	21 - 30 inches (52.5 - 76.2cm)	Non-rotating	1a - 2 - 3a - 4a - 5 to 11
305314	148 - RO - 0060	1 3/8 inches x 6 spline	21 - 30 inches (52.5 - 76.2cm)	Non-rotating	1b - 5 - 6 - 7 - 8c - 9c - 10 - 11
69117	148 - RO - 0014	1 3/4 inches x 6 spline	24 - 36 inches (60.9 - 91.2cm)	Non-rotating	1 to 7 - 8a - 9a - 10 - 11a
69118	148 - RO - 0013	1 3/8 inches x 21 spline	24 - 36 inches (60.9 - 91.2cm)	Non-rotating	1a - 2 - 3a - 4a - 5 - 6 - 7
				Non-rotating	8b - 9b - 10a - 11a

Howard S Series - Parts List

GEARBOX ASSEMBLY

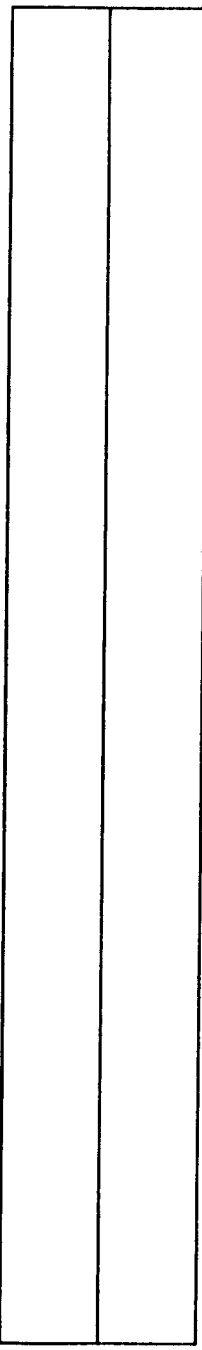
787		4.78	4
-----	--	------	---



Illus. No.	Part Number	Description	No. Off
GEARBOX ASSEMBLY			
47	51151	Special nut	1
48	208010300 305144	Split pin $\frac{3}{16}$ " dia. x $1\frac{1}{2}$ " long	1
		Clutch guard assembly — for use with part no. 305316 pto pulley. illus. no. 42	1
		comprising:	
49	305318	Clutch guard	1
50	305320	Cover	1
51	208042060	Self tapping screw round head No.4 x $\frac{1}{16}$ " long Type Z	4
52	305321	Bracket	1
53	101406060	Setscrew $\frac{3}{16}$ " unc x $\frac{3}{4}$ " long	2
54	108061140	Spring washer $\frac{3}{16}$ " dia.	2
55	107206010 305448	Clutch guard assembly — standard	

Bulletin	Bin No.

49a	305449	prising:		
52	305321	Bracket		
53	101406060	Setscrew $\frac{3}{8}$ " unc x $\frac{3}{4}$ " long	1	
54	108061140	Spring washer $\frac{3}{8}$ " dia.	2	
55	107206010	Nut $\frac{3}{8}$ " unc.	2	
56	101406080	Setscrew $\frac{3}{8}$ " unc x 1" long	2	
57	108061140	Spring washer $\frac{3}{8}$ " dia.	12	
58	101406100	Setscrew $\frac{3}{8}$ " unc x 1 $\frac{1}{4}$ " long	10	
59	305214	Intermediate cover plate	1	
60	305215	Shim .005"	As req'd.	
	305216	Shim .010"	As req'd.	
61	305212	Input cover plate	1	
62	305217	Shim .005"	As req'd.	
	305218	Shim .010"	As req'd.	
63	263022043	Oilseal 3" od x 2 $\frac{1}{2}$ " i.d. x $\frac{3}{8}$ " W double lipped 13P/3002253/B	1	
64	305305	Spacer	1	
65	202023540	O ring 2" o.d. x 1 $\frac{1}{2}$ " i.d. x 210" BS1806/326	1	
66	251740141	Bearing 4" o.d. 1 $\frac{3}{4}$ " i.d. x 1 $\frac{3}{8}$ " w Timken Ref. Cup 527 Cone 522	3	
67	305210	Spacer	1	
68	305221	Input shaft	1	
69	305105	Reduction gear 17T	1	
70	305222	Spacer	1	
71	305208	Spacer	1	
72	305223	Spacer	1	
73	208001210	Circlip 4" dia. internal	2	
74	305211	Special nut	1	
75	208010430	Split pin $\frac{3}{8}$ " dia. x 2 $\frac{1}{2}$ " long	2	
76	305132	Oil thrower gear 18T	1	
	305134	Oil thrower assembly	1	
	305191	comprising: Spindle housing press assembly	1	
		includes:		
77	305297	Spindle housing	1	
78	250506073	Bush $\frac{13}{16}$ " o.d. x $\frac{1}{2}$ " i.d. x $\frac{3}{4}$ " long	1	
79	208002020	Circlip $\frac{1}{2}$ " dia. external	1	
80	108081610	Washer $\frac{1}{2}$ " dia. heavy gauge	1	
81	305192	Spindle	1	
82	106804050	Socket head cap screw $\frac{1}{4}$ " BSW x $\frac{1}{4}$ " long	2	
83	50474	Special nut	1	
84	305224	Washer	1	
85	305220	Intermediate shaft	1	
86	251733092	Bearing 3.265 o.d. x 1 $\frac{1}{4}$ " i.d. x 1 $\frac{13}{16}$ " W Timken ref Cup 25580 cone 25520	1	
		Spacer	1	
87	305137	Reduction gear 23T	1	
88	305104	Spacer	1	
89	305139	Spacer	1	
90	208002130	Circlip 1 $\frac{1}{2}$ " external	1	
91	305213	Spacer	1	
92	305112	Pick-off gear 21T	1	
		Standard		
93	305113	Pick-off gear 24T	1	
94	305114	Pick-off gear 22T	1	
		Standard		
95	305115	Pick-off gear 23T	1	



Illus. No.	Part Number	Description	No. Off	Bulletin	Bin No.
	305106	Pick-off gear 18T	1		
	305107	Pick-off gear 27T	1		
	305108	Pick-off gear 19T	1		
	305109	Pick-off gear 26T	1		
	305110	Pick-off gear 20T	1		
	305111	Pick-off gear 25T	1		
96	305123	Gasket	1		
97	305122	Pick-off cover plate	1		
98	305292	Pick-off gear carrier	1		
99	101405080	Setscrew $\frac{1}{8}$ " unc x 1" long	3		
100	108050940	Spring washer $\frac{1}{8}$ " dia.	3		
101	101406100	Setscrew $\frac{3}{8}$ " unc x 1 $\frac{1}{4}$ " long	7		
102	108061140	Spring washer $\frac{3}{8}$ " dia.	17		
103	101406080	Setscrew $\frac{3}{8}$ " unc x 1" long	10		
104	305140	Top cover plate	1		
105	305141	Gasket	1		
	305228	Breather assembly	1		
		comprising:			
106	305243	Breather pad housing	1		
107	108061260	Fibre washer	1		
108	305244	Breather pad	3		
109	305143	Spacer .064"	As req'd.		
110	305076	Stud	6		
111	107208250	Whizzlock flange nut	6		
109	305526	Spacer .064"	As req'd.		
112*	101410100	Setscrew $\frac{3}{8}$ " unc x 1 $\frac{1}{4}$ "	6		
113*	108101740	Spring washer $\frac{3}{8}$ " dia.	6		
		*These superceed - 101410080 Setscrew $\frac{3}{8}$ " unc x 1" long 305527 Tab washer			
114	305102	Gearbox	1		
115	203031010	Plug $\frac{1}{2}$ " B.S.P. square head	1		
116	203031070	Flanged plug 1" B.S.P. hex. head	1		
117	202042080	Bonded seal 1" B.S.P. Dowty type P.P. 45H	1		
118	208009190	Mills pin $\frac{1}{4}$ " dia. x $\frac{3}{8}$ " long G.P.4	1		
119	305119	End cover	1		
120	251733092	Bearing 3.265 o.d. x 1 $\frac{1}{4}$ " i.d. x 1 $\frac{13}{16}$ " W Timken ref. cup 25580 cone 25520	1		
121	305116	Pinion shaft	1		
122	305120	Shim .005"	As req'd.		
	305121	Shim .010"	As req'd.		
123	305299	Pinion 13T	1		
124	305524	Washer - from machine serial no. 760A2609	1		
125	252548152	Bearing 4 $\frac{13}{16}$ " o.d. x 2 $\frac{1}{2}$ " i.d. x 1 $\frac{1}{2}$ " W Timken ref. cup HM 212011 cone HM 212047	1		
126	208001600	Circlip 122mm dia internal	1		
127	305118	Spacer	1		
128 to 129		not allocated			

Illus. No.	Part Number	Description	No. Off	Bulletin	Bin No.
JACKSHAFT ASSEMBLY					
130	305183	Special nut	1		
131	305184	Tab washer	1		
132	305300	Crownwheel 35T	1		
133	253054121	Bearing 5 $\frac{1}{2}$ " o.d. x 3" i.d. x 1 $\frac{1}{2}$ " W	1		
		Timken ref. cup 493 cone 495A	1		
134	264030051	Oilseal 4" o.d. x 3" i.d. x 1/2" W single lip Pioneer 11P400300050	1		
135	305179	Jackshaft housing - 80" - 90" models	1		
	305264	Jackshaft housing - 100" model	1		
	305228	Breather assembly	1		
		comprising:			
136	305243	Breather pad housing	1		
137	108061260	Fibre washer	1		
138	305244	Breather pad	3		
139	305135	Gasket .030"	As req'd.		
	305412	Gasket .015"	As req'd.		
140	101408100	Setscrew 1/2" unc x 1 1/4" long	12		
141	108081440	Spring washer 1/2" dia.	12		
142	305178	Jackshaft 80" - 90" models	1		
	305263	Jackshaft 100" model	1		
143	252244121	Bearing 4.430" o.d. x 2 1/4" i.d. x 1 1/8" W	1		
		Timken ref. cup 39580 cone 39520	1		
144	305181	Jackshaft gear	1		
145	305185	Washer	1		
146	208010490	Split pin 3/8" dia. x 2 1/2" long	1		
147	305182	Slotted nut	1		
148 to 154 not allocated.					

Illus. No.	Part Number	Description	No. Off	Bulletin	Bin No.
BACKPLATE AND ROTOR DRIVE ASSEMBLY					
155	305066	Backplate	1		
156	305069	Gasket	1		
157	305076	Stud	5		
158	306240	Stud	2		
159	108081440	Spring washer 1/2" dia.	7		
160	107208010	Nut 1/2" unc	7		
161	305067	Gearcase	1		
162	203031020	Plug 3/4" B.S.P. square head	1		
163	101406070	Setscrew 3/8" unc x 1 1/2" long	8		
164	108061140	Spring washer 3/8" dia.	40		
165	208010460	Split pin 3/8" dia. x 3" long	1		
166	305074	Slotted nut	1		
167	202023410	'O' ring 1 1/4" i.d. x .139" Pioneer B.S. 1806/224	1		
168	305073	Special nut	1		
169	305075	Tab washer	1		
170	252444121	Bearing 4 1/8" o.d. x 2 1/4" i.d. x 1 1/8" W	2		
		Timken cup 3920 cone 3980	2		
171	208001590	Internal circlip 113mm dia. Anderton 1300-113m	1		
172	305070	Idler gear	1		
173	202025070	'O' ring 2 1/8" i.d. x .39 Pioneer 159	1		
174	305071	Idler shaft	1		
175	101406080	Setscrew 3/8" unc x 1" long	30		
176	107206010	Nut 3/8" unc	21		
177	33690	Special nut	1		
178	305030	Tab washer	1		
179	305027	Rotor gear	1		
180	208001570	Internal circlip 140mm dia.	1		
181	256514481	Bearing 140mm o.d. x 65mm i.d. x 48mm W SKF 22313C	1		
182	264030064	Oilseal 4" o.d. x 3" i.d. x 1 1/8" W double lipped superseals 795040 type A	1		
183	305029	Collar	1		
184	202023470	'O' ring 2 1/4" o.d. x 2 1/2" i.d. x .139" W	1		
185	305307	Rotor bearing housing	1		
186	131405030	Socket head setscrews 3/8" unc x 3/4" long flat point	2		
187	305028	Rotor drive shaft	1		
188	101406080	Setscrew 3/8" unc x 1" long	2		
189	108061130	Shakeproof washer 3/8" dia. internal	2		
190	305130	Backing strip L.H.	1		
191	305129	Cutting blade L.H.	1		
192	203031050	Plug 1/2" B.S.P. square head	1		
193	101406100	Setscrew 3/8" unc x 1 1/4" long	2		
194	305068	Ground skid	1		
195 to 199 not allocated.					

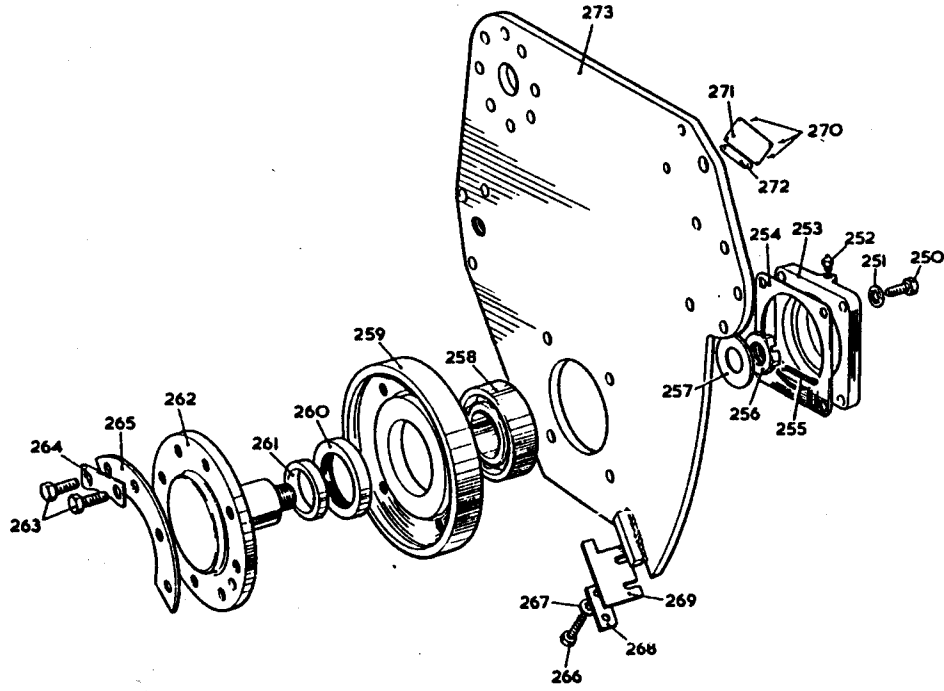
Howard S Series - Parts List

787

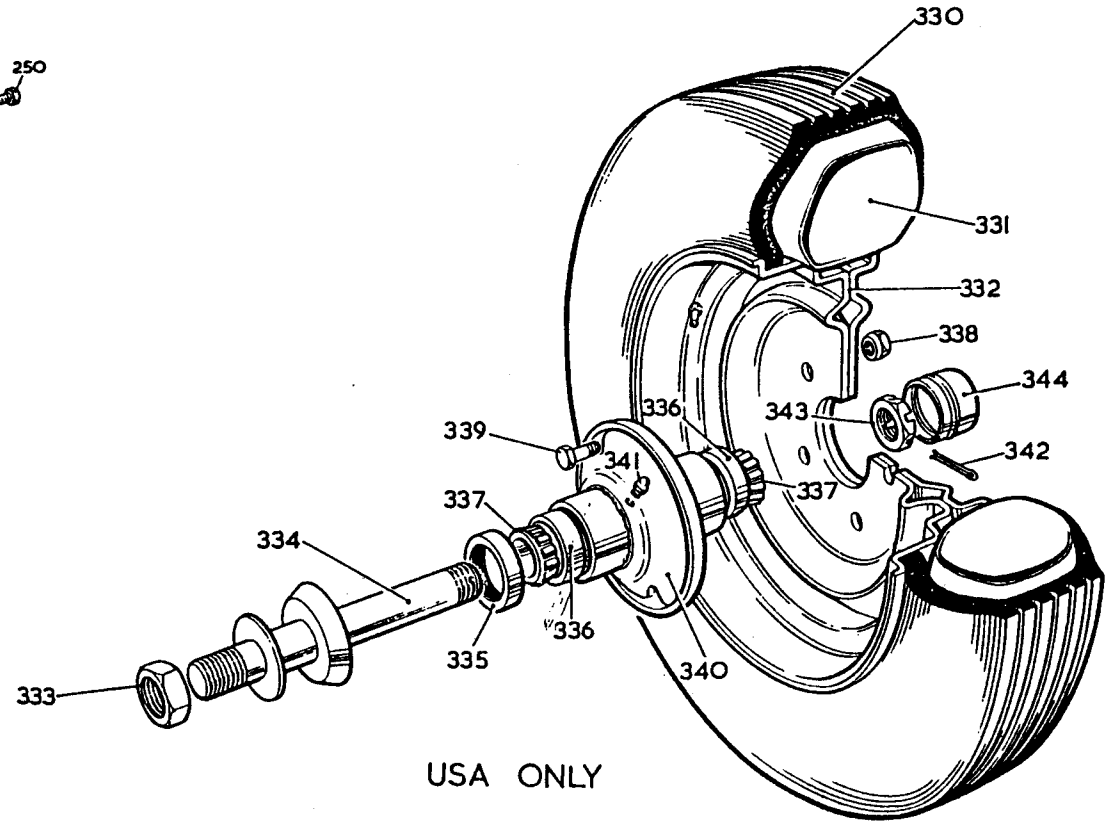
4.78

10

ROTOR STUB AXLE AND R.H. SIDE PLATE ASSEMBLY



DEPTH WHEEL ASSEMBLY



USA ONLY

Illus. No.	Part Number	Description	No. Off
ROTOR STUB AXLE AND R.H. SIDE PLATE ASSEMBLY			
250	101309120	Setscrew ½" unf x 1½" long	4
251	108081430	Shakeproof washer ½" dia. internal	4
252	202030020	Grease nipple ¼" B.S.P. straight	1
253	305042	End cover	1
254	305043	Shim .010"	1
255	208010420	Split pin ¼" dia. x 2½" long	1
256	50474	Special nut	1
257	48486	Washer	1
258	252045111	Ball bearing 4½" o.d. x 2" i.d. x 1½" w B.R.M. 2	1
259	305041	Bearing housing	1
260	263526052	Oilseal 3½" o.d. x 2½" i.d. x ½" W double lipped Pioneer type 13P/35026250/B	1
261	305044	Collar	1
262	305040	Stub axle	1
263	101410120	Setscrew ⅜" unc x 1½" long	8
264	305031	Tab washer	4
265	305298	Shim .064" — must be used in pairs	As req'd.
266*	101406080	Setscrew ⅜" unc x 1" long	2
267*	108061130	Shakeproof washer ¾" dia. internal	2
268*	305048	Backing strip R.H.	1
269*	305047	Cutting blade R.H.	1
*Not required on 80" machines fitted with open end rotor part No.305055			
270	208041090	Hammer drive screw No. 2 x 1½" long type U	6
271	58197	Machine number plate	1
272	66488	Patent plate	1
273	305052	Sideplate	1
274 to 277 not allocated.			

Bulletin	Bin No.

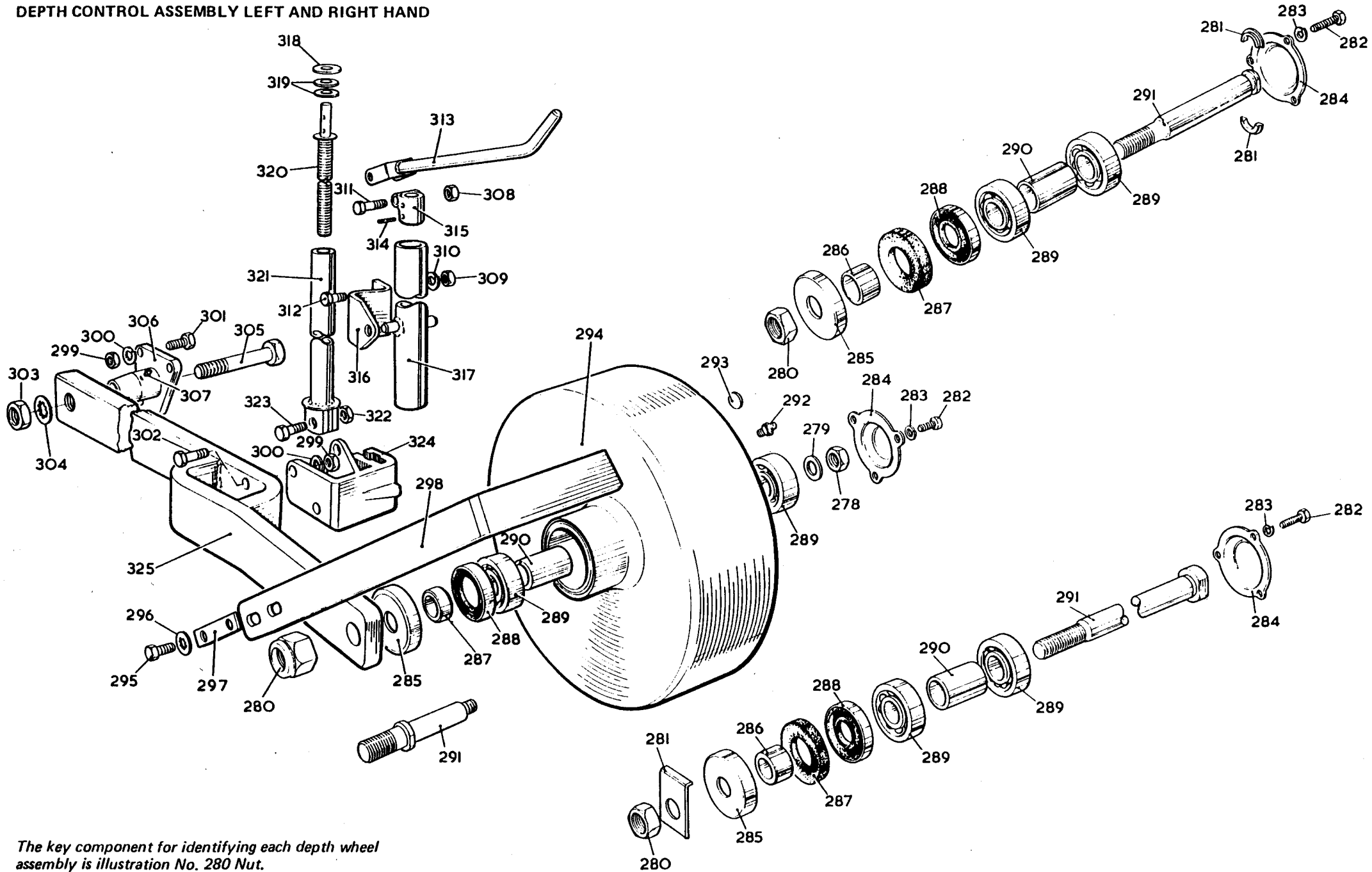
Illus. No.	Part Number	Description	No. Off
DEPTH WHEEL ASSEMBLY — SUPPLIED AND FITTED IN U.S.A.			
	5992	Wheel assembly	2
comprising:—			
330	900003355	Tyre 5.30"	2
331	900003354	Tube	2
332	900003356	Rim 12"	2
	900003360	Hub and axle assembly	2
comprising:—			
333	1290	Locknut 1" NF	2
334	900003359	Axle	2
335	1286	Oilseal	2
336	1288	Bearing cup	4
337	1287	Bearing cone	4
338	5082	Wheel nut	10
339	10248	Mounting bolt	10
340	900003361	Hub complete with bearing cups	2
341	900003364	Grease nipple (1449B)	2
342	208010320	Split pin 3 16" dia x 1½" long	2
343	1285	Slotted axle nut	2
344	1284	Hub cap	2
345 to 349 Not allocated.			

Bulletin	Bin No.

Howard S Series - Parts List

DEPTH CONTROL ASSEMBLY LEFT AND RIGHT HAND

787		4.78	12
-----	--	------	----



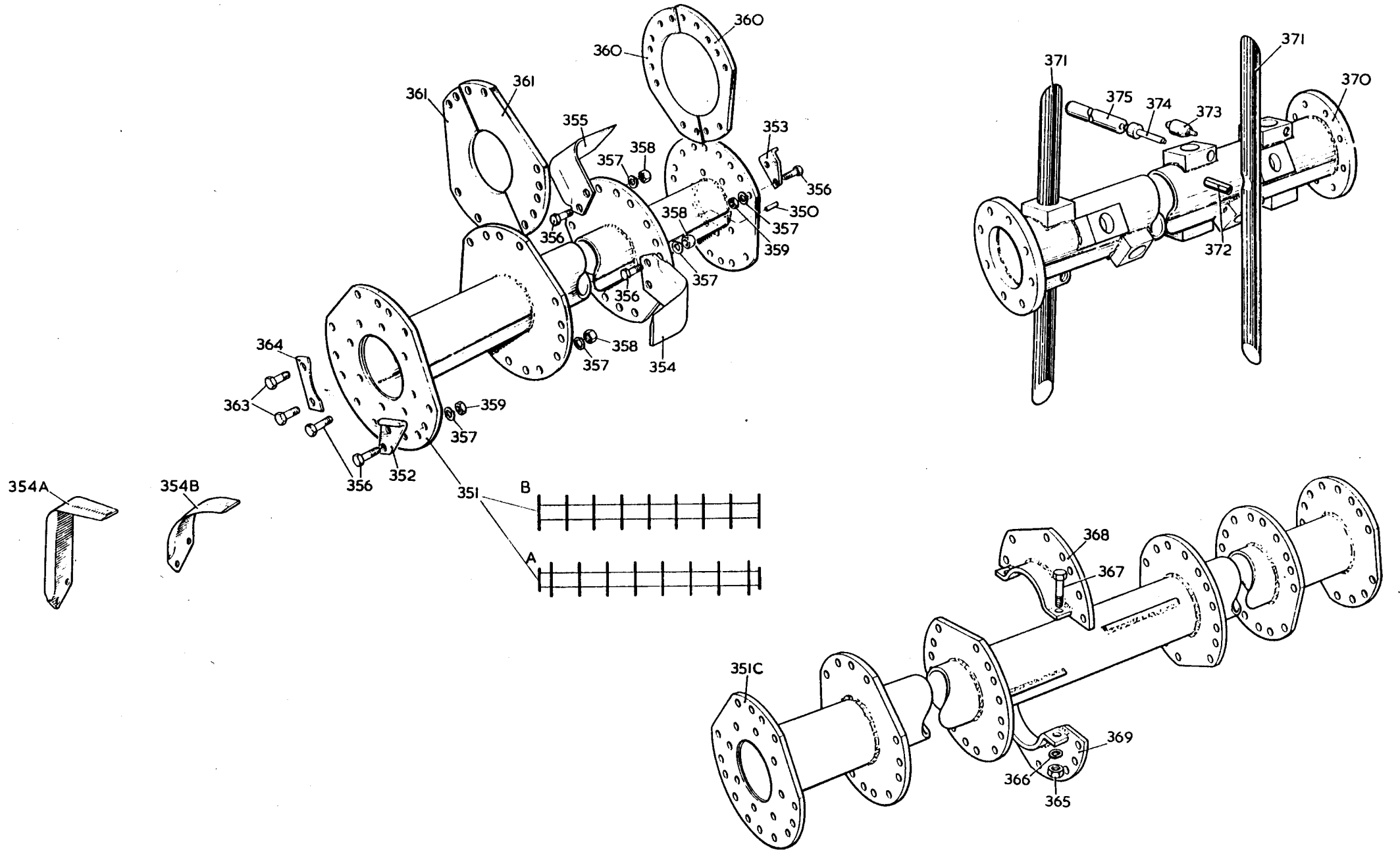
The key component for identifying each depth wheel assembly is illustration No. 280 Nut.

Illus. No.	Part Number	Description	No. Off	Bulletin	Bin No.	Illus. No.	Part Number	Description	No. Off	Bulletin	Bin No.
DEPTH CONTROL ASSEMBLY LEFT AND RIGHT HAND											
	*305242	Depth wheel assembly — except U.S.A. machines up to machine serial No. 760A2608 comprising:				283	108061140	Spring washer $\frac{3}{8}$ " dia.	6		
278	Not allocated.					284	305542	Cover	2		
279	Not allocated.					285	305546	Dust cover	2		
280	107116130					286	Not allocated.				
281	67051	Nut 1" unf self locking	2			287	305545	Spacer	2		
282	101406060	Split collar	2			288	262917051	Oilseal $2\frac{1}{8}$ " o.d. x $1\frac{1}{4}$ " i.d. x $\frac{1}{2}$ " single lipped	2		
283	108061140	Setscrew $\frac{3}{8}$ " unc x $\frac{3}{4}$ " long	6			289	251128081	Bearing $2\frac{1}{4}$ " o.d. x $1\frac{1}{8}$ " i.d. x $\frac{1}{16}$ " w BRM $1\frac{1}{8}$ "	4		
284	67014	Spring washer $\frac{3}{8}$ " dia.	6			290	67017	Distance tube	2		
285	67018	Cover	2			291	305544	Axle	2		
286	67019	Dust cover	2			292	202030020	Grease nipple $\frac{1}{8}$ " BSP straight	2		
287	50084	Spacer	2			293	52441	Welsh plug	6		
288	26917051	Felt seal	2			294	67013	Steel wheel	2		
289	251128081	Oilseal $2\frac{1}{8}$ " o.d. x $1\frac{1}{4}$ " i.d. x $\frac{1}{2}$ " w single lipped	2					*No longer available as a complete assembly			
290	67017	Bearing $2\frac{1}{4}$ " o.d. x $1\frac{1}{8}$ " i.d. x $\frac{1}{16}$ " w B.R.M. $1\frac{1}{8}$ "	4			295	101408120	Setscrew $\frac{1}{2}$ " unc x $1\frac{1}{2}$ " long	4		
291	305241	Distance tube	2			296	108081430	Shakeproof washer $\frac{1}{2}$ " dia. internal	4		
292	202030020	Axle — UNF	2			297	66073	Plate	2		
293	52441	Grease nipple $\frac{1}{8}$ " BSP straight	2			298	67040	Wheel scraper	2		
294	67013	Welsh plug	6			299	107208010	Nut $\frac{1}{2}$ " unc	10		
	*305242	Depth wheel assembly — except U.S.A. machines comprising:				300	108081440	Spring washer $\frac{1}{2}$ " dia.	10		
278	Not allocated.					301	101408120	Setscrew $\frac{1}{2}$ " unc x $1\frac{1}{2}$ " long	6		
279	Not allocated.					302	101208180	Bolt $\frac{1}{2}$ " unc x $2\frac{1}{4}$ " long	4		
280	107216020	Locknut 1" unc	2			303	107216020	Locknut 1" unc	2		
281	69097	Tab washer	2			304	108162630	Shakeproof washer 1" dia. internal	2		
282	101406060	Setscrew $\frac{3}{8}$ " unc x $\frac{3}{4}$ " long	6			305	305230	Special bolt	2		
283	108061140	Spring washer $\frac{3}{8}$ " dia.	6			306	305054	Pivot plate L.H.	1		
284	305542	Cover	2				305065	Pivot plate R.H.	1		
285	305543	Dust cover	2			307	202030420	Grease nipple $\frac{1}{4}$ " BSF straight	2		
286	67019	Spacer	2			308	107206020	Locknut $\frac{3}{8}$ " unc	2		
287	50084	Felt seal	2			309	107206010	Nut $\frac{3}{8}$ " unc	4		
288	262917051	Oilseal $2\frac{1}{8}$ " o.d. x $1\frac{1}{4}$ " i.d. x $\frac{1}{2}$ " w single lipped	2			310	108061140	Spring washer $\frac{3}{8}$ " dia.	4		
289	251128081	Bearing $2\frac{1}{4}$ " o.d. x $1\frac{1}{8}$ " i.d. x $\frac{1}{16}$ " w BRM $1\frac{1}{8}$ "	4			311	101206180	Bolt $\frac{3}{8}$ " unc x $2\frac{1}{4}$ " long	2		
290	67017	Distance tube	2			312	101206120	Bolt $\frac{3}{8}$ " unc x $1\frac{1}{2}$ " long	4		
291	305419	Axle unc $6\frac{1}{4}$ " long obsolete use 305541	2			313	3448	Handle	2		
292	202030020	Axle unc $7\frac{3}{8}$ " long - requires illus. Nos. 284-285	2			314	208012070	Tension pin $\frac{1}{4}$ " dia. x $1\frac{1}{4}$ " long	4		
293	52441	Grease nipple $\frac{1}{8}$ " B.S.P. straight	2			315	55481	Handle block	2		
294	67012	Welsh plug	6			316	305089	Trunnion support — cranked	2		
	305548	Depth wheel assembly — except U.S.A. machines comprising:				317	65657	Outer tube	2		
278	107112020	Locknut $\frac{3}{4}$ " unf	2			318	108122410	Flat washer $\frac{3}{8}$ " dia.	2		
279	108122410	Flat washer $\frac{3}{8}$ " dia.	2			319	65650	Thrust washer	4		
280	107220385	Nut $1\frac{1}{4}$ " unc self locking	2			320	65654	Screw	2		
281	Not allocated.					321	305053	Inner tube	2		
282	101406060	Setscrew $\frac{3}{8}$ " unc x $\frac{3}{4}$ " long	6			322	107210020	Locknut $\frac{3}{8}$ " unc	2		
						323	101210160	Bolt $\frac{3}{8}$ " unc x 2" long	2		
						324	305057	Clevis bracket L.H.	1		
							305072	Clevis bracket R.H.	1		
						325	305236	Wheel arm L.H. } Up to machine serial no.	1		
							305239	Wheel arm R.H. } 760A2608	1		
							305325	Wheel arm L.H. } From machine serial no.	1		
							305323	Wheel arm R.H. } 760A 2609	1		
							305536	Wheel arm L.H. } Fitted to machines for	1		
							305537	Wheel arm R.H. } U.S.A. market only	1		
								326 to 329 Not allocated.			

Howard S Series - Parts List

787		4.78	14
-----	--	------	----

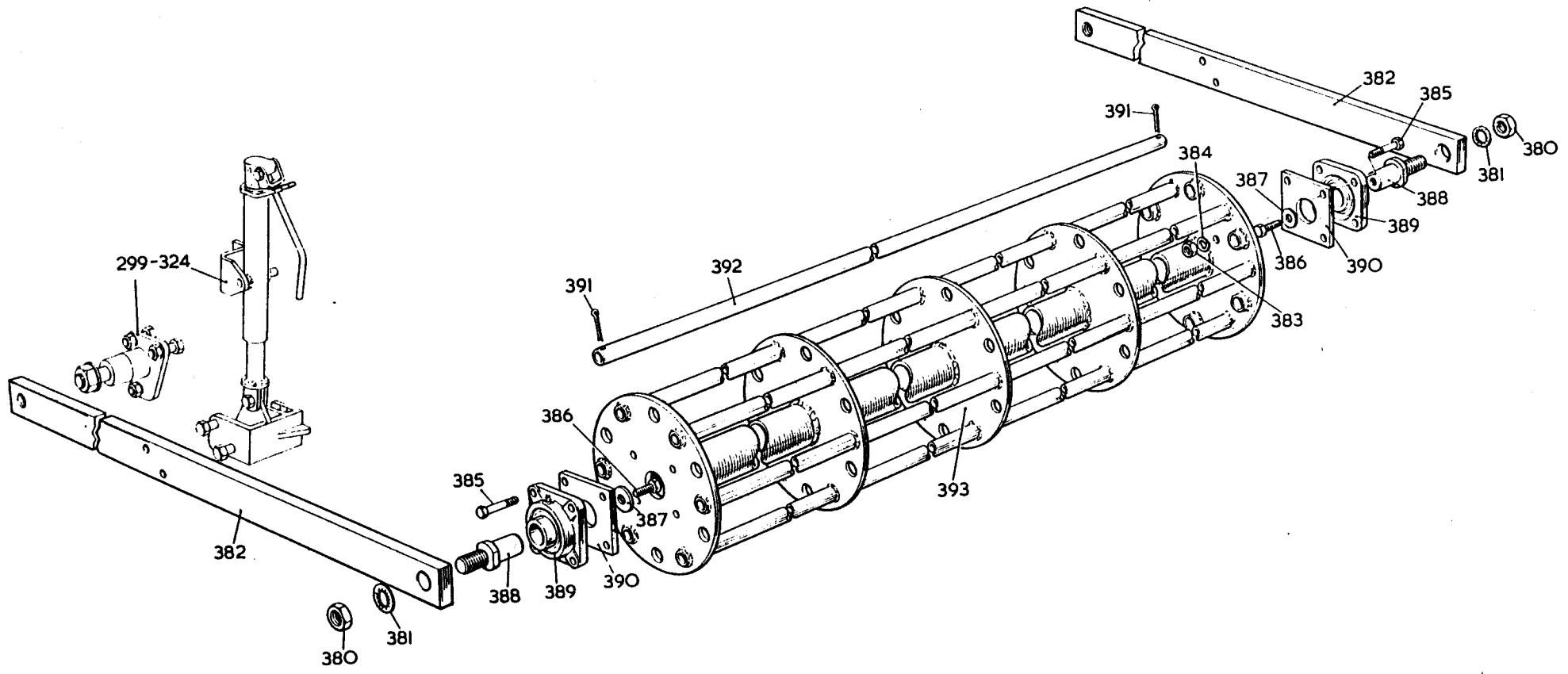
ROTOR ASSEMBLY AND SPIKE ROTOR ASSEMBLY S100 ONLY



Howard S Series - Parts List

CRUMBLE ROLLER S100 ONLY

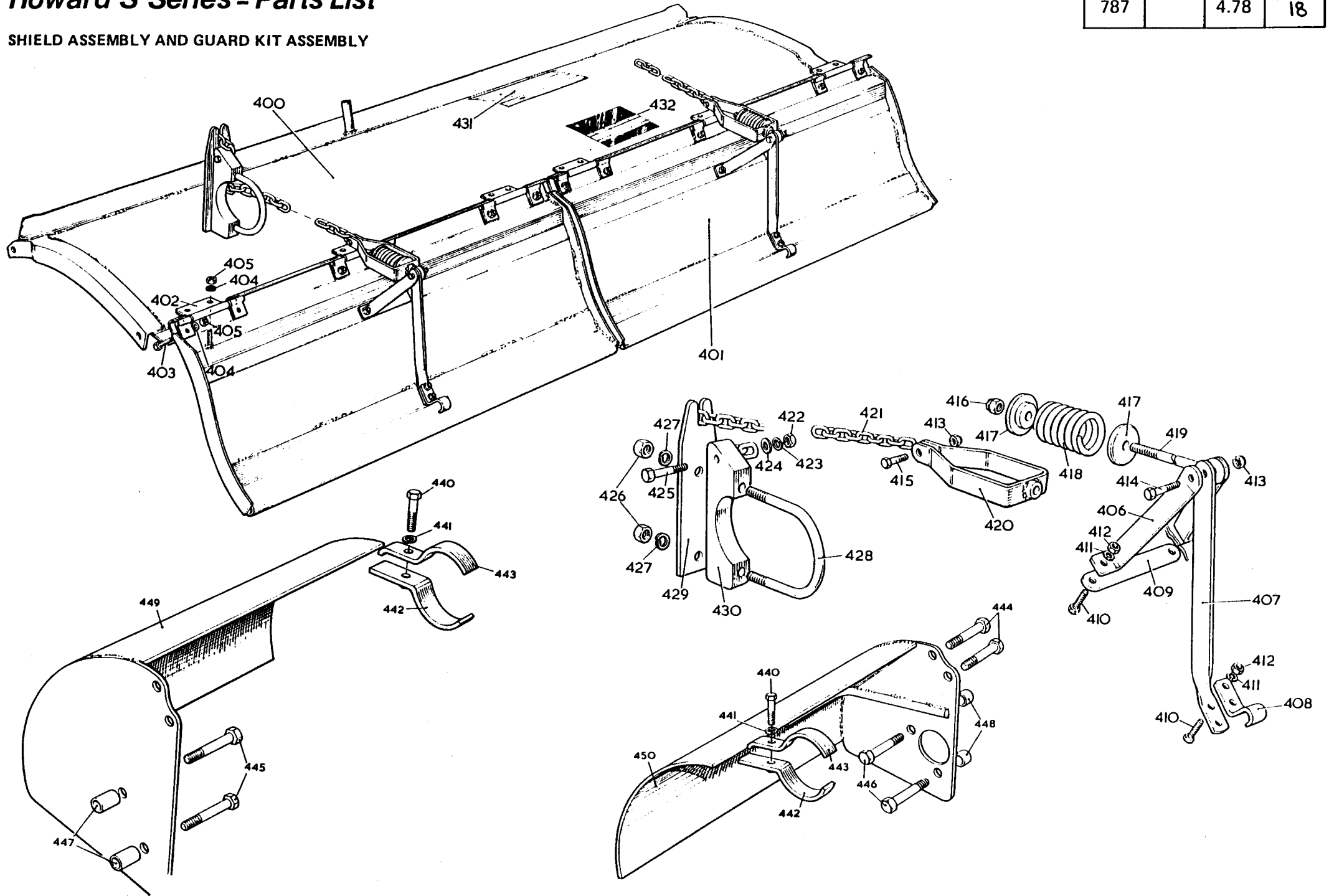
787		4.78	16
-----	--	------	----



<i>Illus. No.</i>	<i>Part Number</i>	<i>Description</i>	<i>No. Off</i>	<i>Bulletin</i>	<i>Bin No.</i>	<i>Illus. No.</i>	<i>Part Number</i>	<i>Description</i>	<i>No. Off</i>	<i>Bulletin</i>	<i>Bin No.</i>
CRUMBLE ROLLER S100 ONLY											
380	107216020	Locknut 1" unc	2								
381	108162630	Shakeproof washer 1" dia. internal	2								
382	305422	Support arm	2								
	305424	Crumble roller assembly	1								
		comprising:—									
383	107208150	Nut ½" unc self locking	8								
384	108081440	Spring washer ½" dia.	8								
385	101208160	Bolt ½" unc x 2" long	8								
386	101408100	Setscrew ½" unc x 1½" long	2								
387	69717	Washer	2								
388	59928	Axle	2								
389	253551205	Bearing unit 35mm bore triple sealed RHP 7/T MSF/35	2								
390	305439	Packing plate	2								
391	208010310	Split pin 5/32" dia x 1½" long	12								
392	305426	Roller	6								
393	305425	Tube assembly	1								
394 to 399 Not allocated.											

Howard S Series - Parts List

SHIELD ASSEMBLY AND GUARD KIT ASSEMBLY



Illus. No.	Part Number	Description	No. Off	Bulletin	Bin No.	Illus. No.	Part Number	Description	No. Off	Bulletin	Bin No.
SHIELD ASSEMBLY						GUARD KIT ASSEMBLY U.K. MACHINES ONLY					
400	305012	Main shield - 80" model	1			440	101206140	Bolt $\frac{3}{8}$ " unc x $1\frac{1}{4}$ " long	2		
	305503	Main shield - 90" model	1			441	108061140	Spring washer $\frac{3}{8}$ " dia.	2		
	305257	Main shield - 100" model	1			442	305393	Clamp lower	2		
401	305024	Trailing board - 80" model	2			443	305392	Top clamp	2		
	305024	Trailing board 40" (L.H.)	1			444	101208140	Bolt $\frac{1}{2}$ " unc x $1\frac{1}{4}$ " long - replaces Illus. 229	1		
	305265	Trailing board 50" (R.H.)	1			445	101208220	Bolt $\frac{1}{2}$ " unc x $2\frac{1}{4}$ " long - replaces Illus. 301	2		
	305265	Trailing board - 100" model	2			446	101208180	Bolt $\frac{1}{2}$ " unc x $2\frac{1}{4}$ " long - replaces Illus. 301	2		
402	50724	Hinge	6			447	305333	L.H. Spacer	2		
403	101302100	Setscrew $\frac{1}{2}$ " un f x $1\frac{1}{4}$ " long	24			448	305334	R.H. Spacer	2		
404	108081430	Shakeproof washer $\frac{1}{2}$ " dia. internal	24			449	305390	L.H. Guard	1		
405	107108010	Nut $\frac{1}{2}$ " un f	24			450	305391	R.H. Guard	1		
406	65644	Front support	4								
407	65645	Centre stay	2								
408	65646	Hook	2								
409	65647	Stiffening strip	2								
410	101406100	Setscrew $\frac{1}{4}$ " unc x $1\frac{1}{4}$ " long	8			58285		Transfer 'S'	1		
411	108061130	Shakeproof washer $\frac{1}{2}$ " dia. internal	8			58195		Royal coat of Arms and Queens Award	1		
412	107206010	Nut $\frac{1}{4}$ " unc	8			58289		'Howard Rotavator'	1		
413	107206030	Nut $\frac{1}{4}$ " unc self locking	4			64279		Lubrication Label	1		
414	101206160	Bolt $\frac{3}{8}$ " unc x 2" long	2								
415	101206110	Bolt $\frac{3}{8}$ " unc x $1\frac{3}{8}$ " long	2								
	305026	Damper assembly	2								
		comprising:-									
416	107206130	Nut $\frac{1}{4}$ " unc self locking	2								
417	305336	Washer	4								
418	2280	Spring	2								
419	305335	Rod	2								
420	305330	Shackle	2								
421	59961	Adjuster chain	1								
	305296	L.H. Clip bracket assembly	1								
		comprising:-									
422	107206010	Nut $\frac{1}{4}$ " unc	1								
423	108061140	Spring washer $\frac{1}{8}$ " dia.	1								
424	108061210	Flat washer $\frac{1}{8}$ " dia.	1								
425	101206160	Bolt $\frac{3}{8}$ " unc x 2" long	1								
426	107208010	Nut $\frac{1}{2}$ " unc	2								
427	108081440	Spring washer $\frac{1}{2}$ " dia.	2								
428	305285	U bolt	1								
429	305284	Support plate	1								
430	305283	Clamping block	1								
431	58173	Warning label	1								
432	58172	Selectalith label	1								
433 to 439 Not allocated.											