



Rotavator M

PARTS LIST

General Information

Serial No. Prefix 940A.....
Serial number is located on front RH side of frame.

Special Notes:

◀	Left Hand	Λ	Alternative
▶	Right Hand	*	Change since last print
▲	Upper	306357x6	Quantity
▼	Lower	306357#	Quantity as required
◀▶	Width	≡	Only for
▶▶	Length	⌈	Central
↑↑	From serial number	⌋	Offset
↑↑	Up to serial number	Z	Number of teeth
↻	rpm		

Catalogue no.	Issue	Page Affected
M series	5/90	New Issue

Note: Some components illustrated may no longer be available. All components have been shown for identification purposes.

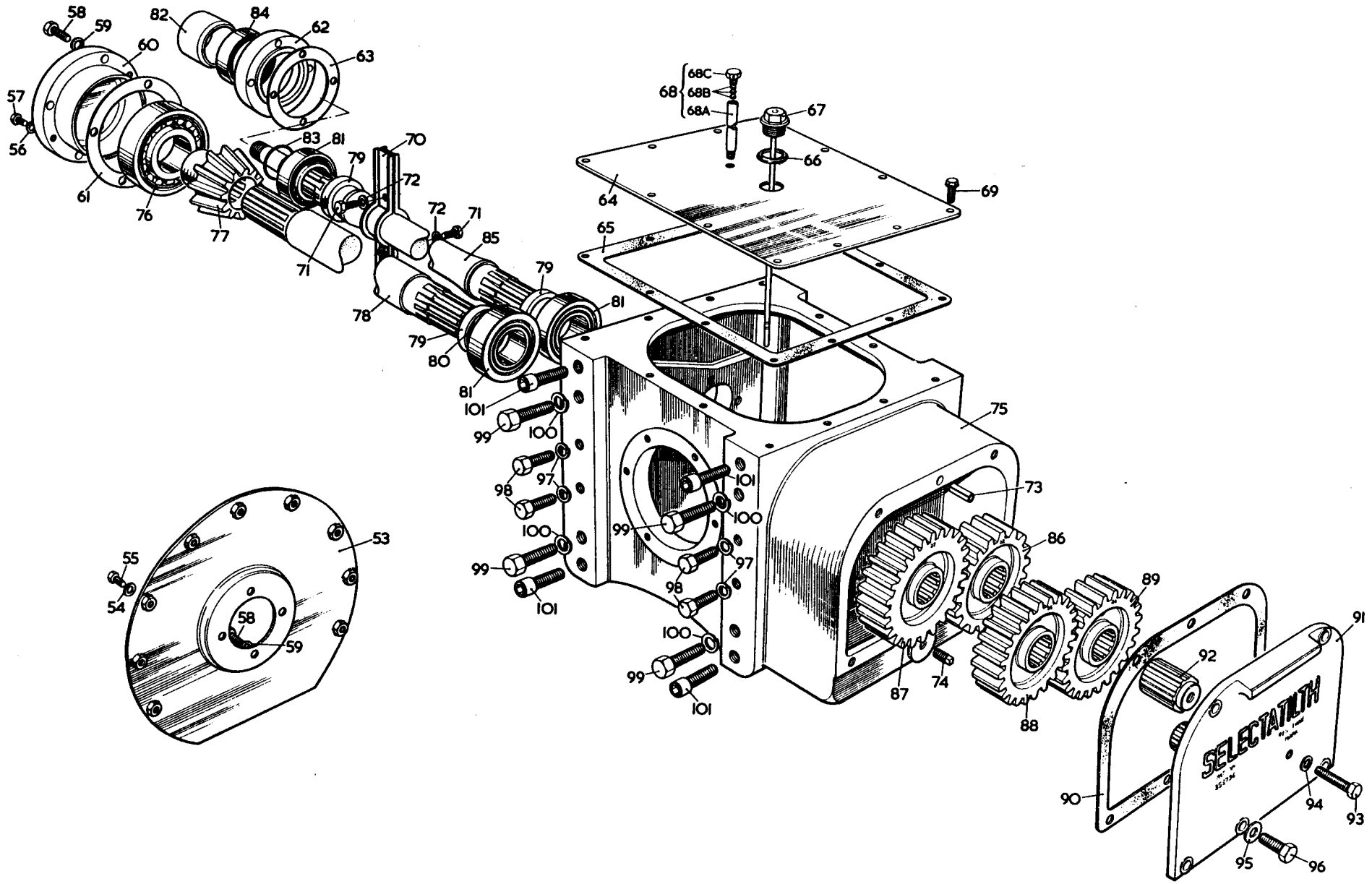
Drive Shaft & Clutch



Item	Part No	Description	Qty.
	308490	Yoke 1 3/4" x 20 spline 24-17-103 includes:—	1
1	301212700	Bolt 12mm x 1.5 pitch x 70mm hex. head 60-06-09	1
2	308120040	Spring washer 12mm 60-83-00	1
3	307212010	Nut 12mm x 1.5 pitch 60-53-00	1
4	Not allocated		
	*700324	Universal Joint Assembly 24" — 36" between centres 1 3/8" x 21 spline PTO yoke 1000rpm1 comprising:—	1
	69118	Universal Joint Assembly 148-0013 1 comprising illustration no.5—15	1
5	204008290	Quick Release Yoke Assembly 48-04-821 includes:—	1
	← 611528		
6	204011800	Pin 00-08-01	1
7	204011790	Tension pin 00-33-06	1
8	204011770	Spring 00-12-00	1
9	204008580	Yoke & splined bar 4EX148—0013 1	1
10	204008590	Yoke & tube 3EX148—0013	1
11	204011740	Spider Assembly K5-LGB-183 includes:—	2
12	208001050	Circlip K3 7GB 199	8
13	204011030	Lubricator 94-GB-2204	2
14	204010850	Inner Half Guard BP94-T M3-1624	1
15	204010840	Outer Half Guard BP94-TF1-1828	1
16	300534	Flanged Yoke	1
	*300579	Universal Joint Assembly 21" — 30" between centres 1 3/8" x 21 spline pto yoke 1000rpm 1 comprising:—	1
	305313	Universal Joint Assembly comprising illustration no. 5—15	1
5	204008290	Quick Release Yoke Assembly 48-04-821 includes:—	1
6	204011800	Pin 00-08-01	1
7	204011790	Tension pin 00-33-06	1
8	204011770	Spring 00-12-00	1
9	204008400	Yoke & spined bar 4EX148—0011 1	1
10	204008410	Yoke & tube 3EX148—0011	1
11	204011740	Spider Assembly K5-LGB-183 includes:—	2
12	208001050	Circlip K3 7GB 199	8
13	204011030	Lubricator 94-GB-2204	2
14	204010830	Inner Half Guard BP94-TM3-1324	1
15	204010820	Outer Half Guard BP94-TF1-1528	1
16	300534	Flanged yoke	1
	*300580	Universal Joint Assembly 21" — 30" between centres 1 3/4" x 6 spline pto yoke 1000 rpm 1 comprising:—	1
	305314	Universal Joint Assembly comprising illustration no.5—15	1
5		Yoke	1
6		Pin	1
7		Tension pin	1
8		Spring	1
9		Yoke and splined bar	1
10		Yoke and Tube	1
11	204011740	Spider Assembly K5 LGB 183 includes:—	2
12	208001050	Circlip K3 7GB 199	8
13	204011030	Lubricator 94 GB2204	2
14	204010830	Inner Half Guard BP94-TM3-1324	1
15	204010820	Outer Half Guard BP94-TF1-1528	1
16	300534	Flanged yoke	1
17 and 18	Not allocated.		

* Alternatives.

Item	Part No	Description	Qty.
	300966	Clutch Cover Assembly comprising:—	1
19	300337	Shroud	1
20	107106010	Nut 3/8" UNF	4
21	108061140	Spring washer 3/8"	4
22	300968	Clutch cover	1
23	300975	Cover plate	1
24	300967	Cover	2
25	208021070	Rivet 3/16" x 1/2" round head	2
	300955	Clutch Assembly comprising:—	1
26	101410140	Setscrew 5/8" UNC x 1 3/4" hex head	6
27	300435	Tab washer	3
28	208010230	Split pin 1/2" x 1 3/4"	1
29	300185	Special nut left hand thread	1
30	300184	Special washer	1
31	208013090	Dowel 1/2" x 1 1/4"	2
32	107208010	Nut 1/2" UNC	12
33	14034	Washer	12
34	5024	Clutch spring — Outer	12
35	5025	Clutch spring — Inner	12
36	101208360	Bolt 1/2" UNC x 4 1/2"	12
37	300996	Flange	1
38	301070	Clutch sleeve	1
39	300957	Friction disc	2
40	300959	Clutch plate	1
41	300958	Pressure plate	1
42	300960	Pulley	1
43– 52	Not allocated		

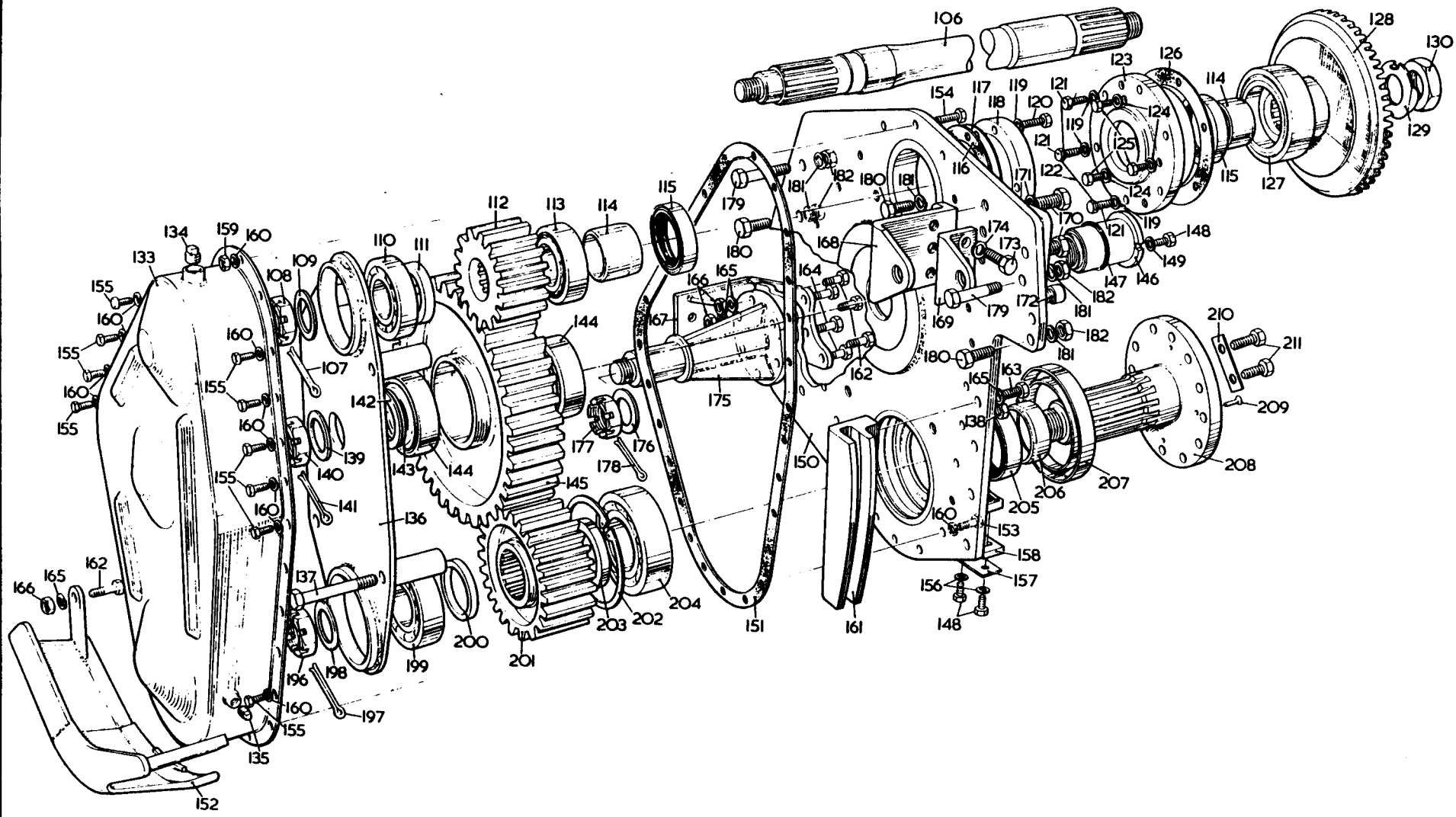


Gearbox Assembly



Item	Part No	Description	Qty.
53	300973	Guard backplate	1
54	108061140	Spring washer $\frac{3}{8}$ "	9
55	101406060	Setscrew $\frac{3}{8}$ " UNC x $\frac{3}{4}$ " hex head	9
56	108061210	Flat washer $\frac{3}{8}$ "	3
57	101406040	Setscrew $\frac{3}{8}$ " UNC x $\frac{1}{2}$ " hex head	3
58	101408120	Setscrew $\frac{1}{2}$ " UNC x $1\frac{1}{2}$ " hex head	8
59	108081430	Shakeproof washer $\frac{1}{2}$ "	8
60	300045	Pinion bearing housing	1
61	300046	Gasket .004") Pinion	As Req.
	300047	Gasket .010") Shaft	As Req.
	300048	Gasket .020") Shaft	As Req.
62	300041	Oil seal housing	1
63	300042	Gasket .004") Drive	As Req.
	300043	Gasket .010") Shaft	As Req.
	300044	Gasket .020") Shaft	As Req.
64	300049	Gearbox cover	1
65	300050	Gearbox cover gasket	1
66	202042080	Bonded seal 1" BSP Dowty Type PP 45H	1
67	300051	Dipstick	1
68	305322	Breather assembly comprising:—	1
68a	36408	Extension tube	1
68b	305244	Breather pad	3
68c	305243	Breather pad housing	1
69	134406065	Whizz lock screw $\frac{3}{8}$ " UNC x $\frac{3}{4}$ "	12
	300529	Gearbox oil thrower assembly comprising:—	1
70	300530	Oil thrower	2
71	101405050	Setscrew $\frac{5}{16}$ " UNC x $\frac{5}{8}$ " hex head	2
72	108051010	Flat washer $\frac{5}{16}$ "	2
73	208009340	Mills Pin GP3 $\frac{1}{2}$ " x $1\frac{1}{2}$ "	1
74	203031010	Plug $\frac{1}{2}$ " BSP square head	1
75	300594	Gearbox	1
76	252549151	Bearing – Timken Cup 552A Cone 559	1
77	301005	Pinion 15 tooth	1
78	300432	Pinion shaft	1
79	300038	Collar	3
80	25058	Shim .015"	As Req.
	25906	Shim .005"	As Req.
81	252037121	Bearing – Timken Cup 3720 Cone 3780	3
82	300040	Spacer	1
83	202025020	'O' ring Dowty PP49/23 $2\frac{1}{8}$ " x 2" x .07"	1
84	263527062	Oil seal – Pioneer 13P/35027562 Double lipped	1
85	300965	Drive shaft	1
86	300434	Pick-off gear 22 tooth White)	1
87	300433	Pick-off gear 27 tooth White)	1
88	300060	Pick-off gear 25 tooth Red)	1
89	300061	Pick-off gear 24 tooth Red)	1
	300056	Pick-off gear 23 tooth Black)	1
	300057	Pick-off gear 26 tooth Black)	1
	300058	Pick-off gear 28 tooth Orange)	1
	300059	Pick-off gear 21 tooth Orange)	1
90	300053	Cover plate gasket	1
	300575	Cover plate assembly comprising:—	1
91	300052	Pick-off cover plate	1
92	300576	Splined boss	1
93	101408180	Setscrew $\frac{1}{2}$ " UNC x $2\frac{1}{4}$ " hex head	1
94	108081610	Flat washer $\frac{1}{2}$ "	1
95	108102010	Flat washer $\frac{5}{8}$ "	5
96	101410110	Setscrew $\frac{5}{8}$ " UNC x $1\frac{3}{8}$ " hex head	5
97	108101740	Spring washer $\frac{5}{8}$ "	8
98	101410120	Setscrew $\frac{5}{8}$ " UNC x $1\frac{1}{2}$ " hex head	8
99	101212180	Bolt $\frac{3}{4}$ " UNC x $2\frac{1}{4}$ "	8
100	108122040	Spring washer $\frac{3}{4}$ "	8
101	106212160	Cap screw socket head $\frac{3}{4}$ " UNC x 2"	8

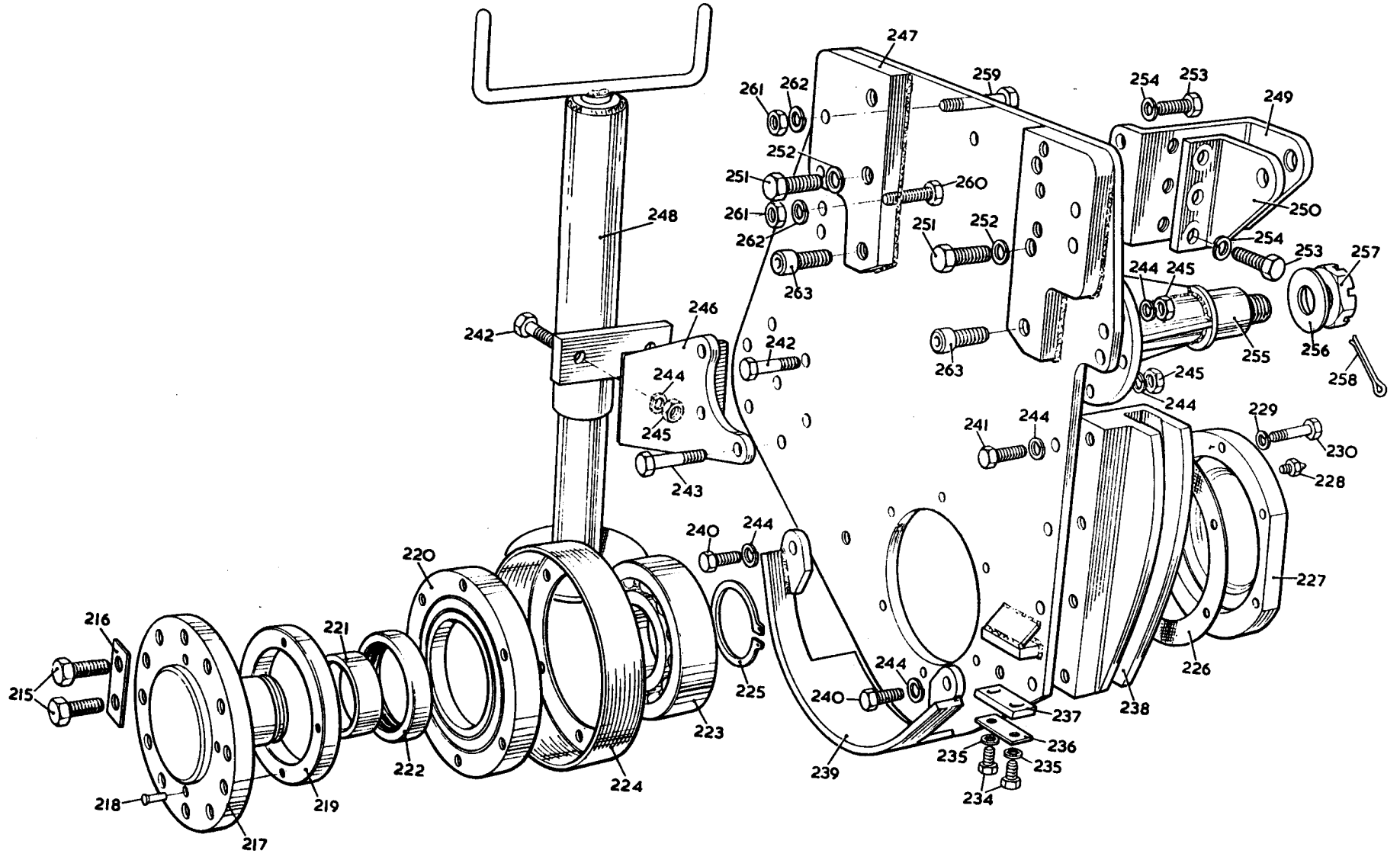
Item	Part No	Description	Qty.
------	---------	-------------	------



Chaincase & Rotor Drive



Item	Part No	Description	Qty.	Item	Part No	Description	Qty.
106	301205	Jackshaft 100"	1	163	101408100	Setscrew $\frac{1}{2}$ " UNC x $1\frac{1}{4}$ " hex hd	4
	300607	Jackshaft 130"	1	164	101208180	Bolt $\frac{1}{2}$ " UNC x $2\frac{1}{4}$ " (only required if parking jack fitted)	3
107	208010390	Split pin $\frac{7}{32}$ " x $2\frac{1}{2}$ "	1	165	108081440	Spring washer $\frac{1}{2}$ " (13 required if parking jack is fitted)	11
108	65345	Slotted nut	1	166	107208010	Nut $\frac{1}{2}$ " UNC (9 required if parking jack is fitted)	7
109	65344	Washer	1	167	300216	R.H. Jack mounting (not USA)	1
110	252250121	Ballbearing BRM $2\frac{1}{4}$ " - 5 " x $2\frac{1}{4}$ " x $1\frac{1}{4}$ "	1	168	300217	L.H. Support bracket screw jack	1
111	300609	Spacer	1	300379	L.H. Support bracket hydraulic ram	1	
112	300608	Jackshaft gear	1	169	300219	L.H. Support lug screw jack	1
113	252549151	Bearing - Timken "TS" Cup 552A Cone 559	1	300381	L.H. Support lug hydraulic ram	1	
114	300072	Sleeve	2	170	101412120	Setscrew $\frac{3}{4}$ " UNC x $1\frac{1}{2}$ " hex hd	4
115	264029052	Oilseal 13P/400.287.50 Double lipped	2	171	108122040	Spring washer $\frac{3}{4}$ "	4
116	300080	Gasket .004")	As Req.	172	106212100	Cap screw socket head $\frac{3}{4}$ " UNC x $1\frac{1}{4}$ "	2
	300081	Gasket .010") Backplate	As Req.	173	101410120	Setscrew $\frac{5}{8}$ " UNC x $1\frac{1}{2}$ " hex hd	6
	300082	Gasket .020") End	As Req.	174	108101740	Spring washer $\frac{5}{8}$ "	6
117	300083	Gasket .030")	As Req.	175	300223	Depth control pivot	1
118	300610	Bearing housing cover	1	176	300224	Special washer	1
119	108061140	Spring washer $\frac{3}{8}$ "	10	177	65255	Special nut	1
120	101206110	Bolt $\frac{3}{8}$ " UNC x $1\frac{3}{8}$ "	4	178	208010350	Split pin $\frac{3}{16}$ " x $2\frac{1}{4}$ "	1
121	300851	Special bolt	6	179	101210220	Bolt $\frac{5}{8}$ " UNC x $2\frac{3}{4}$ "	4
122	208052010	Locking wire 16swg x 24"	As Req.	180	101410140	Setscrew $\frac{5}{8}$ " UNC x $1\frac{3}{4}$ " hex hd	4
123	300070	Bearing housing	1	181	108101740	Spring washer $\frac{5}{8}$ "	8
124	108061210	Flat washer $\frac{3}{8}$ "	3	182	107210010	Nut $\frac{5}{8}$ " UNC	8
125	101406040	Setscrew $\frac{3}{8}$ " UNC x $\frac{1}{2}$ " hex head	3	183-195	Not allocated		
126	300077	Gasket .004") Crownwheel	As Req.	196	65345	Slotted nut	1
	300078	Gasket .010") End	As Req.	197	208010390	Split pin $\frac{7}{32}$ " x $2\frac{1}{2}$ "	1
	300079	Gasket .020") End	As Req.	198	65344	Washer	1
127	253759111	Bearing - Timken "TS" Cup 42584 Cone 42375	1	199	252555121	Ballbearing BRM $2\frac{1}{2}$ " - $5\frac{1}{2}$ " x $2\frac{1}{2}$ " x $1\frac{1}{4}$ "	1
128	301007	Crownwheel 43T	1	200	300647	Spacer	1
129	300076	Tab washer	1	201	300646	Rotor gear	1
130	33690	Special nut	1	202	208001290	Circlip $7\frac{1}{2}$ " Int.	1
131-132	Not allocated.			203	300648	Spacer	1
133	300624	Gearcase	1	204	253275161	Ballbearing BRM $3\frac{1}{4}$ " - $7\frac{1}{2}$ " x $3\frac{1}{4}$ " x $1\frac{9}{16}$ "	1
134	53654	Breather plug	1	205	264737052	Oilseal $4\frac{3}{4}$ " x $3\frac{3}{4}$ " x $\frac{1}{2}$ " Weston R6W Double lipped	1
135	203031050	Plug $\frac{1}{8}$ " BSP square head	1	206	300096	Sleeve	1
136	300618	Bearing Carrier	1	207	300538	Dust cover	1
137	101210440	Bolt $\frac{5}{8}$ " UNC x $5\frac{1}{2}$ "	4	208	300094	Rotor drive shaft	1
138	107210020	Locknut $\frac{5}{8}$ " UNC	4	209	208020050	Rivet $\frac{3}{16}$ " x $\frac{7}{8}$ " flat hd	4
139	65344	Special washer	1	210	300091	Tab washer	6
140	65345	Slotted nut	1	211	101410100	Setscrew $\frac{5}{8}$ " UNC x $1\frac{1}{4}$ " hex hd	12
141	208010390	Split pin $\frac{7}{32}$ " x $2\frac{1}{2}$ "	1	212-214	Not allocated		
142	300620	Bearing carrier spacer	1				
143	300621	Idler bearing shim .004"	As Req.				
	300622	Idler bearing shim .010"	As Req.				
	300623	Idler bearing shim .020"	As Req.				
144	252548152	Bearing - Timken Cup HM212011 Cone HM212047	2				
145	300616	Idler gear	1				
146	300617	Idler shaft	1				
147	202023470	'O' ring $2\frac{3}{4}$ " x $2\frac{1}{2}$ " x .139	1				
148	101406060	Setscrew $\frac{3}{8}$ " UNC x $\frac{3}{4}$ " hex hd 80"	2				
		100" and 130"	4				
149	108061210	Flat washer $\frac{3}{8}$ "	2				
150	300679	Backplate	1				
151	300626	Gasket	1				
152	301120	Ground skid	1				
153	101206120	Bolt $\frac{3}{8}$ " UNC x $1\frac{1}{2}$ "	2				
154	101406100	Setscrew $\frac{3}{8}$ " UNC x $1\frac{1}{2}$ " hex hd	14				
155	101406050	Setscrew $\frac{3}{8}$ " UNC x $\frac{5}{8}$ " hex hd	10				
156	108061130	Shakeproof washer $\frac{3}{8}$ " Int. 100" and 130"	2				
157	5807	Backing strip 100" and 130"	1				
158	300227	Cutting blade 100" and 130"	1				
159	107206010	Nut $\frac{3}{8}$ " UNC	15				
160	108061140	Spring washer $\frac{3}{8}$ "	26				
161	300221	L.H. Lift bracket guide	1				
162	101208140	Bolt $\frac{1}{2}$ " UNC x $1\frac{3}{4}$ " (6 off only required if parking jack fitted)	7				

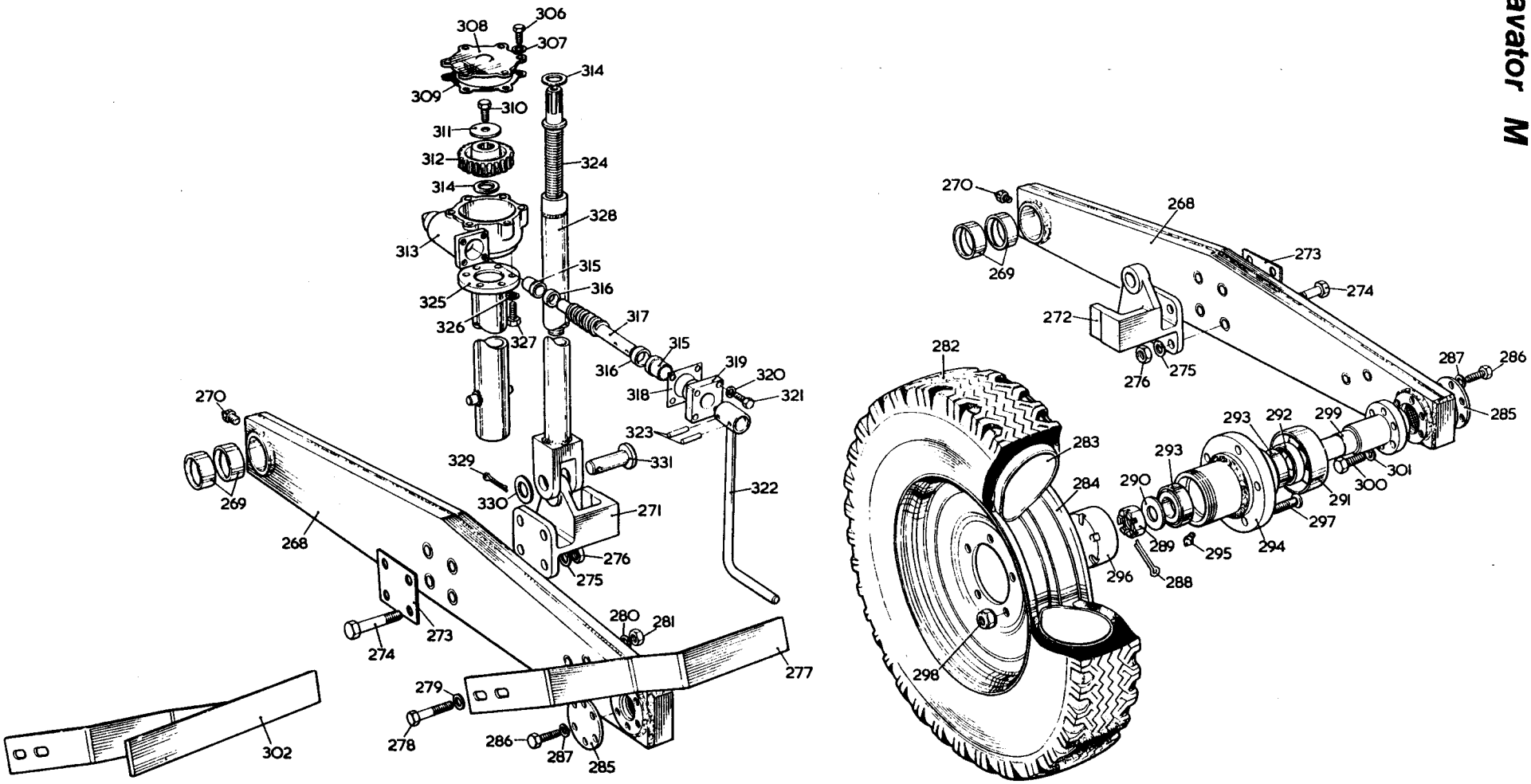


Stub Axle



Item	Part No	Description	Qty.
215	101410110	Setscrew $\frac{5}{8}$ " UNC x $1\frac{3}{8}$ " hex hd	12
216	300091	Tab washer	6
217	300084	Stub axle	1
218	208020050	Rivet $\frac{3}{16}$ " x $\frac{7}{8}$ " flat head	4
219	300538	Dust cover	1
220	300087	Bearing housing	1
221	300096	Sleeve	1
222	264737052	Oilseal $4\frac{3}{4}$ " x $3\frac{3}{4}$ " x $\frac{1}{2}$ " Weston R6W Double lipped	1
223	253070161	Ballbearing BRM3 7"x 3" x $1\frac{9}{16}$ "	1
224	300088	Dust cover	1
225	208002190	Circlip 3" External	1
226	300090	End cover gasket .010"	As Req.
227	300089	End cover	1
228	202030020	Grease nipple $\frac{1}{8}$ " BSP straight	1
229	108061140	Spring washer $\frac{3}{8}$ "	6
230	101206160	Bolt $\frac{3}{8}$ " UNC x 2"	6
231-233	Not allocated		
234	101406060	Setscrew $\frac{3}{8}$ " UNC x $\frac{3}{4}$ " hex head Not required for 80" machine	2
235	108061130	Shakeproof washer $\frac{3}{8}$ " Int. Not required for 80" machine	2
236	5807	Backing strip 100" and 130"	1
237	300227	Cutting blade 100" and 130"	1
238	300222	Lift bracket guide L.H.	1
239	300268	Guard	1
240	101408080	Setscrew $\frac{1}{2}$ " UNC x 1" hex hd	2
241	101408100	Setscrew $\frac{1}{2}$ " UNC x $1\frac{1}{4}$ " hex hd	4
242	101208140	Bolt $\frac{1}{2}$ " UNC x $1\frac{3}{4}$ " (5 off required when parking jack is fitted)	6
243	101208180	Bolt $\frac{1}{2}$ " UNC x $2\frac{1}{2}$ " (required when parking jack is fitted)	3
244	108081440	Spring washer $\frac{1}{2}$ " (14 off required when parking jack is fitted)	12
245	107208010	Nut $\frac{1}{2}$ " UNC (8 off required when parking jack is fitted)	6
246	300213	L.H. Jack mounting (required when parking jack is fitted)	1
247	300680	Support plate	1
248	209021020	Parking Jack - Metallifature PJ9	2
249	300218	R.H. Support bracket screw jack	1
	300380	R.H. Support bracket hydraulic ram	1
250	300220	R.H. Support lug screw jack	1
	300382	R.H. Support lug hydraulic ram	1
251	101412120	Setscrew $\frac{3}{4}$ " UNC x $1\frac{1}{2}$ " hex hd	4
252	108122040	Spring washer $\frac{3}{4}$ "	4
253	101410120	Setscrew $\frac{5}{8}$ " UNC x $1\frac{1}{2}$ " hex hd	6
254	108101740	Spring washer $\frac{5}{8}$ "	6
255	300223	Depth control pivot	1
256	300224	Special washer	1
257	65255	Special nut	1
258	208010350	Split pin $\frac{3}{16}$ " x $2\frac{1}{4}$ "	1
259	101210220	Bolt $\frac{5}{8}$ " UNC x $2\frac{3}{4}$ "	4
260	101410140	Setscrew $\frac{5}{8}$ " UNC x $1\frac{3}{4}$ " hex hd	4
261	107210010	Nut $\frac{5}{8}$ " UNC	8
262	108101740	Spring washer $\frac{5}{8}$ "	8
263	106212100	Cap screw socket head $\frac{3}{4}$ " UNC x $1\frac{1}{4}$ "	2

Item	Part No	Description	Qty.
------	---------	-------------	------

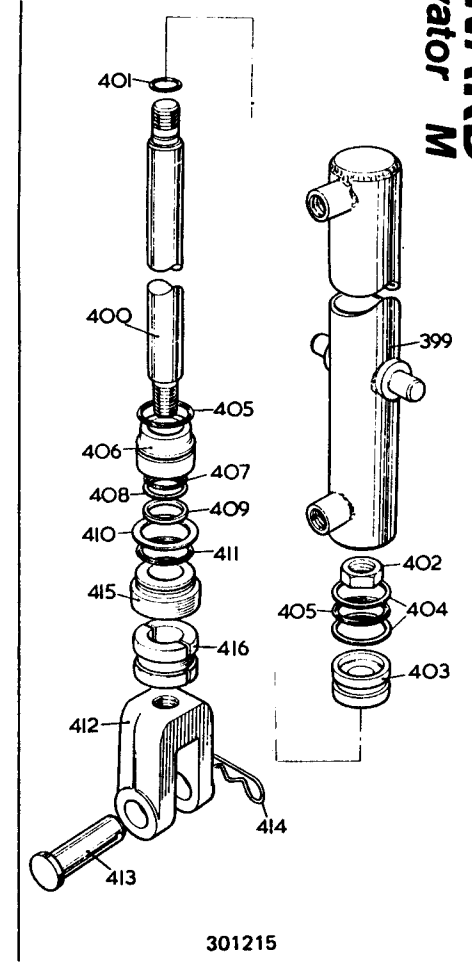
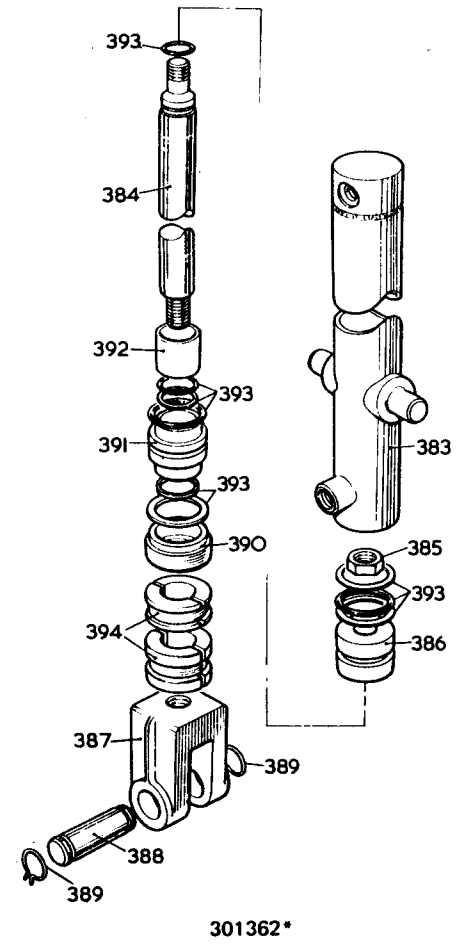
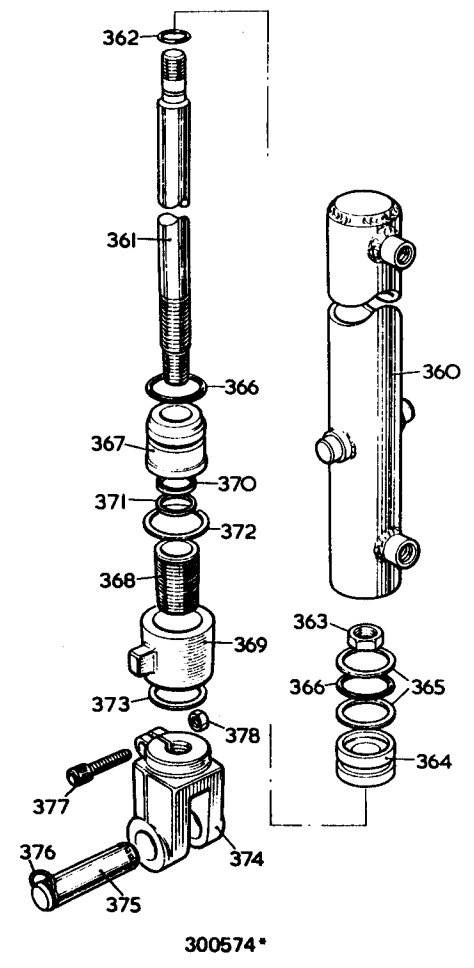
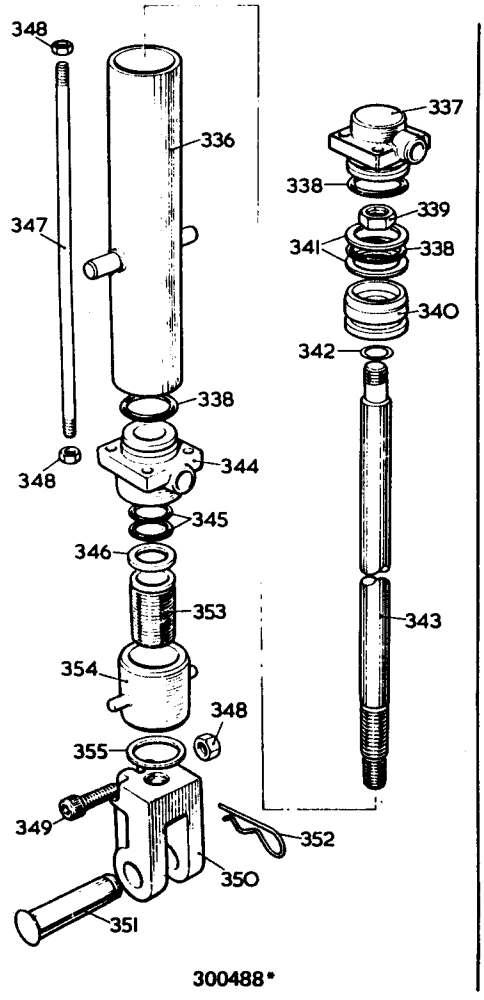


Depth Wheels



Item	Part No	Description	Qty.
268	301103	Depth control arm	2
269	300914	Bush	4
270	202030020	Grease nipple $\frac{1}{8}$ " BSP straight	2
271	300259	Lift bracket L.H.	1
272	300258	Lift bracket R.H.	1
273	301159	Plate	2
274	101210300	Bolt $\frac{5}{8}$ " UNC x $3\frac{3}{4}$ "	8
275	108101740	Spring washer $\frac{5}{8}$ "	8
276	107210010	Nut $\frac{5}{8}$ " UNC	8
277	301095	Wheel scraper	2
278	101208260	Bolt $\frac{1}{2}$ " UNC x $3\frac{1}{4}$ "	4
279	108081610	Flat washer $\frac{1}{2}$ "	4
280	108081440	Spring washer $\frac{1}{2}$ "	4
281	107208010	Nut $\frac{1}{2}$ " UNC	4
	300260	Wheel assembly comprising:—	2
282	*209001110	Tyre - Dunlop Weathermaster 7.00 x 14 x 8 ply	2
283	*209001120	Inner tube to suit 7.00 x 14 tyre	2
284	209001100	Ventilated disc wheel ENC 5115	2
285	301115	Cover	2
286	101408100	Setscrew $\frac{1}{2}$ " UNC x $1\frac{1}{4}$ " hex hd	12
287	108081440	Spring washer $\frac{1}{2}$ "	12
	301096	Hub assembly comprising:—	2
288	208010500	Split pin $\frac{1}{4}$ " x 2"	2
289	107216050	Nut slotted 1" UNC	2
290	108163010	Flat washer 1"	2
291	301098	Dust cover	2
292	262717042	Oilseal 2.75" x 1.75" x .37" Double lipped	2
293	251425071	Taper roller bearing Timken LM48510 - LM48548	4
294	301100	Hub	2
295	202030030	Grease nipple $\frac{1}{4}$ " UNF straight	2
296	62962	Hub cap	2
297	209028360	Serrated stud $\frac{1}{2}$ " UNF x $1\frac{1}{2}$ "	10
298	209028350	Wheel nut $\frac{1}{2}$ " UNF	10
299	301099	Axle	2
300	101408100	Setscrew $\frac{1}{2}$ " UNC x $1\frac{1}{4}$ " hex hd	12
301	108081440	Spring washer $\frac{1}{2}$ "	12
	301114	Twin wheel kit - Optional extra comprising:—	1
	300260	Wheel assembly illustration numbers 282-284	2
	301096	Hub assembly illustration numbers 288-299	2
302	301110	Wheel scraper	2
303-305	Not allocated		
	300355	Depth control jack screw assembly	2
306	101405050	Setscrew $\frac{5}{16}$ " UNC x $\frac{5}{8}$ " hex hd	12
307	108050940	Spring washer $\frac{5}{16}$ "	12
308	300322	Cover plate	2
309	300325	Gasket	2
310	101406060	Setscrew $\frac{3}{8}$ " UNC x $\frac{3}{4}$ " hex head	2
311	305036	Special washer	2
312	300316	Worm wheel	2
313	300312	Worm housing	2
314	300321	Thrust washer	4
315	16728	Bush	4
316	300319	Special washer	4
NOTE: *Not fitted to machines supplied to America.			
317	300317	Worm shaft	2
318	300324	Gasket .010"	As Req.
319	300318	End cover	2
320	108040840	Spring washer $\frac{1}{4}$ "	8
321	101404070	Setscrew $\frac{1}{4}$ " UNC x $\frac{7}{8}$ " hex hd	8
322	62495	Handle	2
323	208012070	Tension pin $\frac{1}{4}$ " x $1\frac{1}{4}$ "	4
324	300315	Screw	2
325	300358	Outer tube	2

Item	Part No	Description	Qty.
326	108061140	Spring washer $\frac{3}{8}$ "	12
327	101406080	Setscrew $\frac{3}{8}$ " UNC x 1"	12
328	300356	Screw tube	2
329	208010330	Split pin $\frac{3}{16}$ " x $1\frac{1}{2}$ "	2
330	108163010	Flat washer 1"	2
331	300357	Clevis pin	2
332-335	Not allocated		

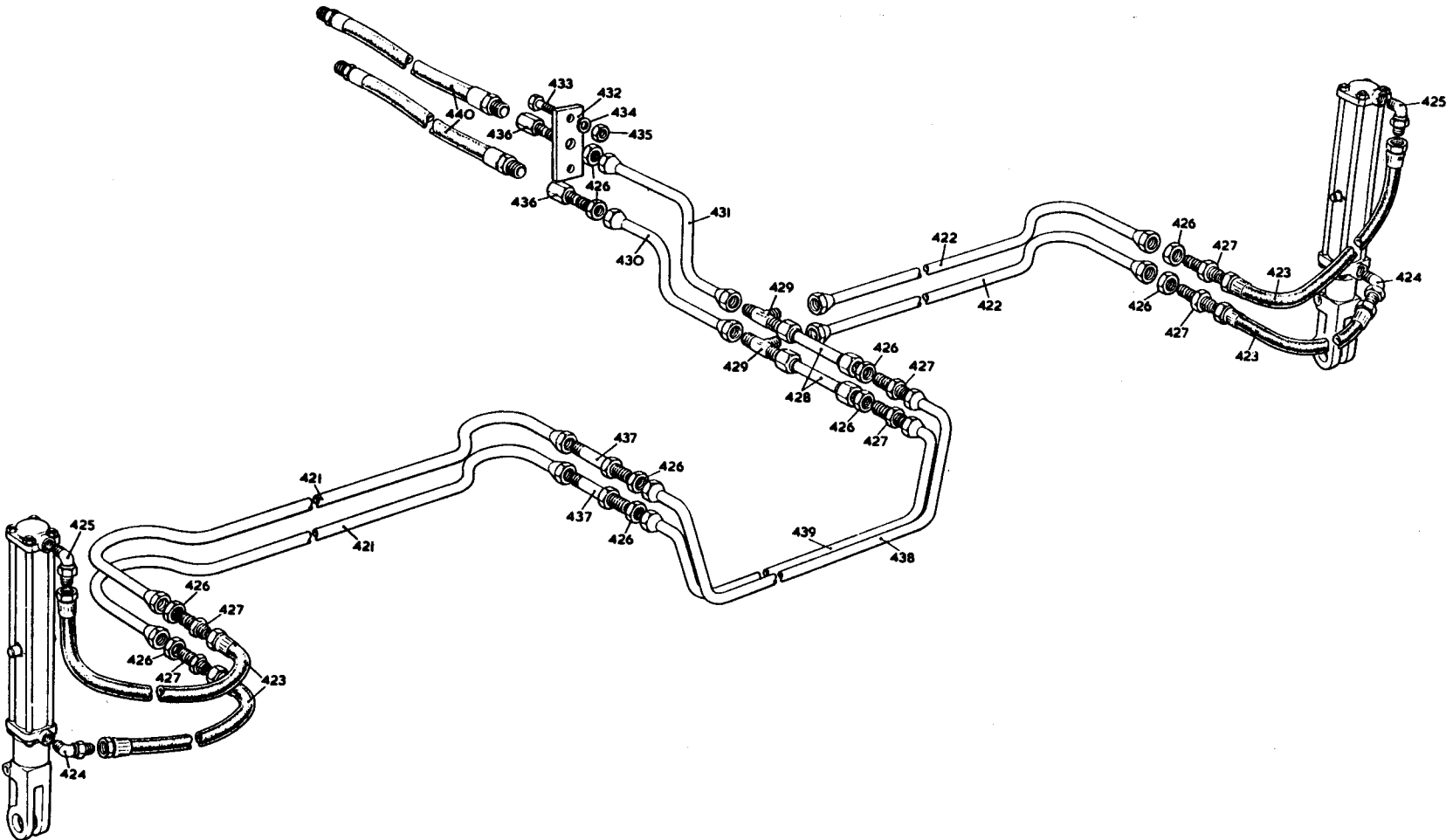


*No longer available as a complete unit — use part number 301215

Depth Controls



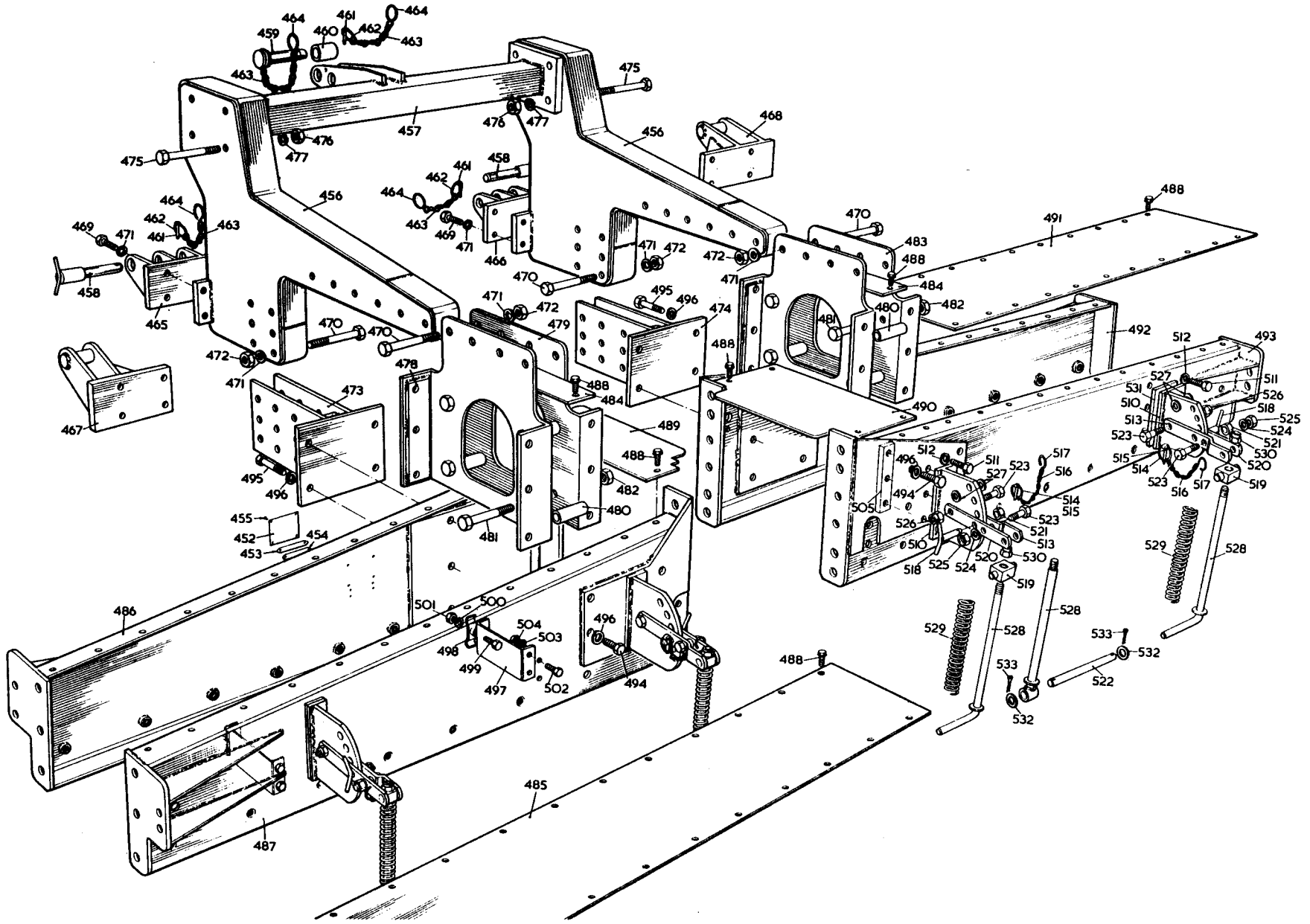
Item	Part No	Description	Qty.	Item	Part No	Description	Qty.
	*300488	Hydraulic Cylinder Assembly 220090 D	2	394	301216	Depth control stop kit 900002125	2
		comprising:—				†Only available as a complete kit.	
336	202017090	Tube IC1836	2			*No longer available as a complete kit — use part no. 301215.	
337	202017040	Base IC1838	2	395–398	Not allocated		
338	202017210	Seal O Ring 1 A0110	6		301215	Hydraulic cylinder assembly energy ref. A-1782	
339	202017200	Nut 1A0143	2			comprising:—	
340	202017100	Piston IC0567	2	399	202017260	Cylinder body XB312	2
341	202017190	Seal Back-up ring 1A0111	4	400	202017570	Piston rod A1784	2
342	202017140	Seal gasket 1A0224	2	401	202017360	'O' ring $\frac{3}{4}$ " x $\frac{7}{8}$ " – 80305	2
343	202017110	Rod IC1835	2	402	202017390	Jam nut $\frac{7}{8}$ " – 14NF Hex 80281	2
344	202017080	Head IC0569	2	403	202017290	Piston A1845	2
345	202017180	Seal 'O' Ring 1A0087	4	404	202020010	Back up washer $1\frac{5}{8}$ " x 2" – 81472	4
346	202017170	Seal wiper lip-type 1A0014	2	405	202023540	'O' ring $1\frac{5}{8}$ " x 2" – 80327	4
347	202017020	Tie rod IC1834	8	406	202017280	Piston rod guide A1906	2
348	202017150	Nut 1A0022	18	407	202017540	'O' ring $1\frac{1}{8}$ " x $1\frac{3}{8}$ " – 80320	2
349	202017160	Cap screw 1A0021	2	408	202017530	Back up washer $1\frac{1}{8}$ " x $1\frac{3}{8}$ " – 81467	2
350	202017050	Clevis IC1833	2	409	202017520	Rod wiper $1\frac{1}{8}$ " – 81544	2
351	202017030	Clevis pin IC0393	2	410	202017380	Retaining ring internal 2" – 80707	2
352	202017120	Clip 1A0122	2	411	202017550	'O' ring $1\frac{13}{16}$ " x 2" – 80329	2
353	202017060	Collar IC0253	2	412	202017580	Piston rod clevis A-205	2
354	202017070	Collar - outside stop IC0262	2	413	202017600	Clevis pin A542	2
355	202017130	Retaining ring 1A0404	2	414	202017610	Clevis pin clip 80438	2
356–359	Not allocated			415	202017560	Cap A1788	2
	*300574	Hydraulic cylinder assembly energy REF.XC,41	2	416	301216	Depth control stop kit 900002125	2
		comprising:—		417–420	Not allocated		
360	202017260	Cylinder body - XB 312	2				
361	202017270	Piston rod - XA 813	2				
362	202017360	'O' ring $\frac{3}{4}$ " x $\frac{7}{8}$ " – 80305	2				
363	202017390	Jam nut $\frac{7}{8}$ " x 14 NF Hex 80281	2				
364	202017290	Piston - A1845	2				
365	202020010	Back-up washer $1\frac{5}{8}$ " x 2" – 81472	4				
366	202023540	'O' ring $1\frac{5}{8}$ " x 2" – 80327	4				
367	202017280	Piston rod guide – A1906	2				
368	202017310	Inside collar – CY116	2				
369	202017300	Outside collar – CY117	2				
370	202017370	U-cup $1\frac{1}{8}$ " x $1\frac{3}{8}$ " – A2154.85	2				
371	202017340	Rod wiper – 81544	2				
372	202017380	Retaining ring 2" – 80707	2				
373	202017420	Retaining ring – 5100150	2				
374	202017330	Piston rod clevis CY73	2				
375	202017320	Clevis pin CY72	2				
376	202017350	Clevis pin clip CY121	2				
377	106406120	Cap screw $\frac{3}{8}$ " UNC x $1\frac{1}{2}$ " socket hd	2				
378	107206010	Nut $\frac{3}{8}$ " UNC	2				
379–382	Not allocated						
	*301362	Hydraulic cylinder assembly Brunung ref. 7110.094					
		comprising:—					
383	202008050	Tube	900002113	2			
384	202008090	Rod	900002117	2			
385	202008060	Locking nut	900002114	2			
386	202008030	Piston	900002111	2			
387	202008080	Clevis	900002116	2			
388	202008100	Clevis pin	900002118	2			
389	202008110	Clevis pin clip	900002119	4			
390	202008120	Spacer	900002120	2			
391	202008040	Head	900002112	2			
392	202008070	Bronze bush	900002115	2			
393	†202008020	Seal repair kit	900002121	2			
		comprising:—					
		Static rod seal		2			
		Piston 'O' ring		2			
		Piston back up washer		4			
		Static head seal		2			
		Head lock ring		2			
		Rod wiper		2			
		Rod back up washer		2			
		Rod 'O' ring		2			



Depth Controls



Item	Part No	Description	Qty.		Item	Part No	Description	Qty.
			Without Flow Divider	With Flow Divider				
421	300366	Wing line L.H. - 130"	2	2				
	301049	Wing line L.H. - 100"	2	2				
	301339	Wing line L.H. - 80"	2	2				
422	300370	Wing line R.H. - 130"	2	1				
	301050	Wing line R.H. - 100"	2	1				
	301341	Wing line R.H. - 80"	2	1				
423	202021790	Hose	4	4				
424	202057140	45° Elbow	2	2				
425	202056120	90° Elbow	2	2				
426	202041130	Locknut $\frac{9}{16}$ " UNF Imperial						
		Eastman 711 FSO $\frac{3}{8}$ "	10	9				
427	202051050	Bulk head union Imperial						
		Eastman 832 FSO 6	6	6				
428	300373	Bridge feed line	2	1				
429	202054050	Union tee Imperial						
		Eastman 844 FSO 6	2	1				
430	300519	Lower feed pipe	1	1				
431	300445	Adaptor feed line	1	-				
432	300526	Adaptor Plate	1	-				
433	101406100	Setscrew $\frac{3}{8}$ " UNC x $1\frac{1}{4}$ "						
		hex hd 80" & 100" only	2	-				
	101206120	Bolt $\frac{3}{8}$ " UNC x $1\frac{1}{2}$ "	130	2				
434	108061140	Spring washer $\frac{3}{8}$ "	2	-				
435	107206010	Nut $\frac{3}{8}$ " UNC	2	-				
436	300449	Inlet adaptor	2	1				
437	300367	Adaptor	2	2				
438	300368	Bridge line - upper	1	1				
439	300369	Bridge line - lower	1	1				
N.I.	202040270	Tapered plug- screw jack	10	10				
	202040280	Redcap AQ 330/16	2	2				
	202040040	Redcap AQ 270/6	4	4				
	202040420	Redcap AQ 290/5	2	2				
440	301091	Feed & return hose assy	2	2				

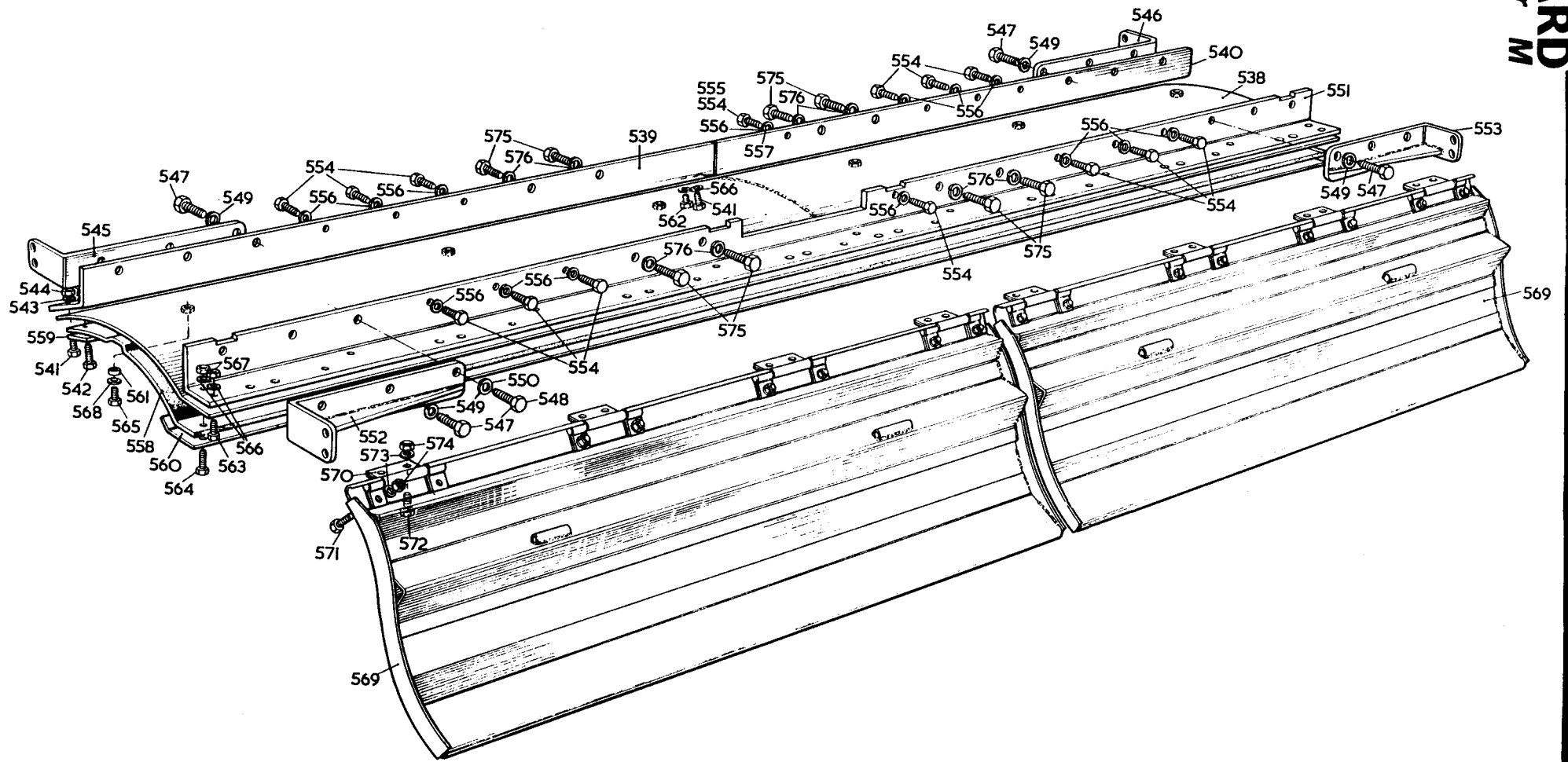


Main Frame



Item	Part No	Description	Qty.
452	60954	Machine serial no. plate	1
453	66488	Patents plate	1
454	66494	Patents pending plate	1
455	208041080	Hammer drive screw type U No 2 x 1/8" 80" model	8
	208041090	Hammer drive screw type U No 2 x 3/16" 100" and 130"	8
456	301014	Top frame sideplate	2
457	301016	Arm	1
458	300558	Mounting pin (not required when quick hitch mounting plates 301217 and 301218 fitted)	2
459	300301	Draw pin	1
460	300302	Sleeve for category 3 tractors	1
461	50934	Clip pin) One off each only req.	3
462	60495	Clip ring) when quick hitch) mounting fitted.	3
463	3913	Chain) Two off each req. when	4
464	300310	Hook) quick hitch mounting fitted	4
465	300554	L.H. Clevis)	1
466	300555	R.H. Clevis)	1
467	301218	Quick hitch mounting plate L.H.)	1
468	301217	Quick hitch mounting plate R.H.)	1
469	101410140	Setscrew 5/8" UNC x 1 3/4" hex hd	8
470	101210380	Bolt 5/8" UNC x 4 3/4"	20
471	108101740	Spring washer 5/8"	28
472	107210010	Nut 5/8" UNC	20
473	*309208	L.H. Lower mounting bracket	1
474	*309207	R.H. Lower mounting bracket	1
*Not required if fitted with Converto Frame.			
475	101212380	Bolt 3/4" UNC x 4 3/4"	8
476	107212010	Nut 3/4" UNC	8
477	108122040	Spring washer 3/4"	8
NOTE: Mounting Frame Assembly not required if machine is to be fitted with Converto frame.			
	300493	L.H. Mounting bracket comprising:-	1
478	300494	L.H. Mounting bracket	1
479	300495	L.H. Mounting bracket	1
480	300535	Spacer	4
481	101212380	Bolt 3/4" UNC x 4 3/4"	4
482	107212150	Nut 3/4" UNC self locking nut	4
	300489	R.H. Mounting bracket comprising:-	1
480	300535	Spacer	4
481	101212380	Bolt 3/4" UNC x 4 3/4"	4
482	107212150	Nut 3/4" UNC self locking nut	4
483	300490	R.H. Mounting bracket	2
484	300128	Plate	2
485	300664	L.H. Wing top plate 130"	1
	300719	L.H. Wing top plate 100"	1
	300750	L.H. Wing top plate 80"	1
486	300902	L.H. Front wing 130"	1
	300717	L.H. Front wing 100"	1
	300748	L.H. Front wing 80"	1
487	300905	L.H. Rear wing 130"	1
	300718	L.H. Rear wing 100"	1
	300749	L.H. Rear wing 80"	1
488	134405060	Whiz lock screw 5/16" UNC x 3/4" 130" model	54
	134405060	Whiz lock screw 5/16" UNC x 3/4" 100" model	46
	134405060	Whiz lock screw 5/16" UNC x 3/4" 80" model	38
489	300235	L.H. Wing filler plate	1
490	300118	R.H. Wing filler plate	1
491	300709	R.H. Wing top plate 130"	1
	300740	R.H. Wing top plate 100"	1
	300754	R.H. Wing top plate 80"	1

Item	Part No	Description	Qty.
492	300908	R.H. Front wing 130"	1
	300722	R.H. Front wing 100"	1
	300752	R.H. Front wing 80"	1
493	300911	R.H. Rear wing 130"	1
	300720	R.H. Rear wing 100"	1
	300753	R.H. Rear wing 80"	1
494	101410140	Setscrew 5/8" UNC x 1 3/4" hex hd	8
495	101210180	Bolt 5/8" UNC x 2 1/4"	8
496	108101740	Spring washer 5/8"	16
Models:			80" 100" 130"
	300477	Pipe support assy comprising:-	2 3 4
497	300478	Pipe support bracket	2 3 4
498	300479	Clip	2 3 4
499	101404070	Setscrew 1/4" UNC x 7/8" hex head	2 3 4
500	108040840	Spring washer 1/4"	2 3 4
501	107204010	Nut 1/4" UNC	2 3 4
502	101405070	Setscrew 5/16" UNC x 7/8" hex head	4 6 8
503	108050940	Spring washer 5/16"	4 6 8
504	107205010	Nut 5/16" UNC	4 6 8
505	300497	Pad	- 2 2
	301312	Pad	2 - -
506-509 Not allocated			

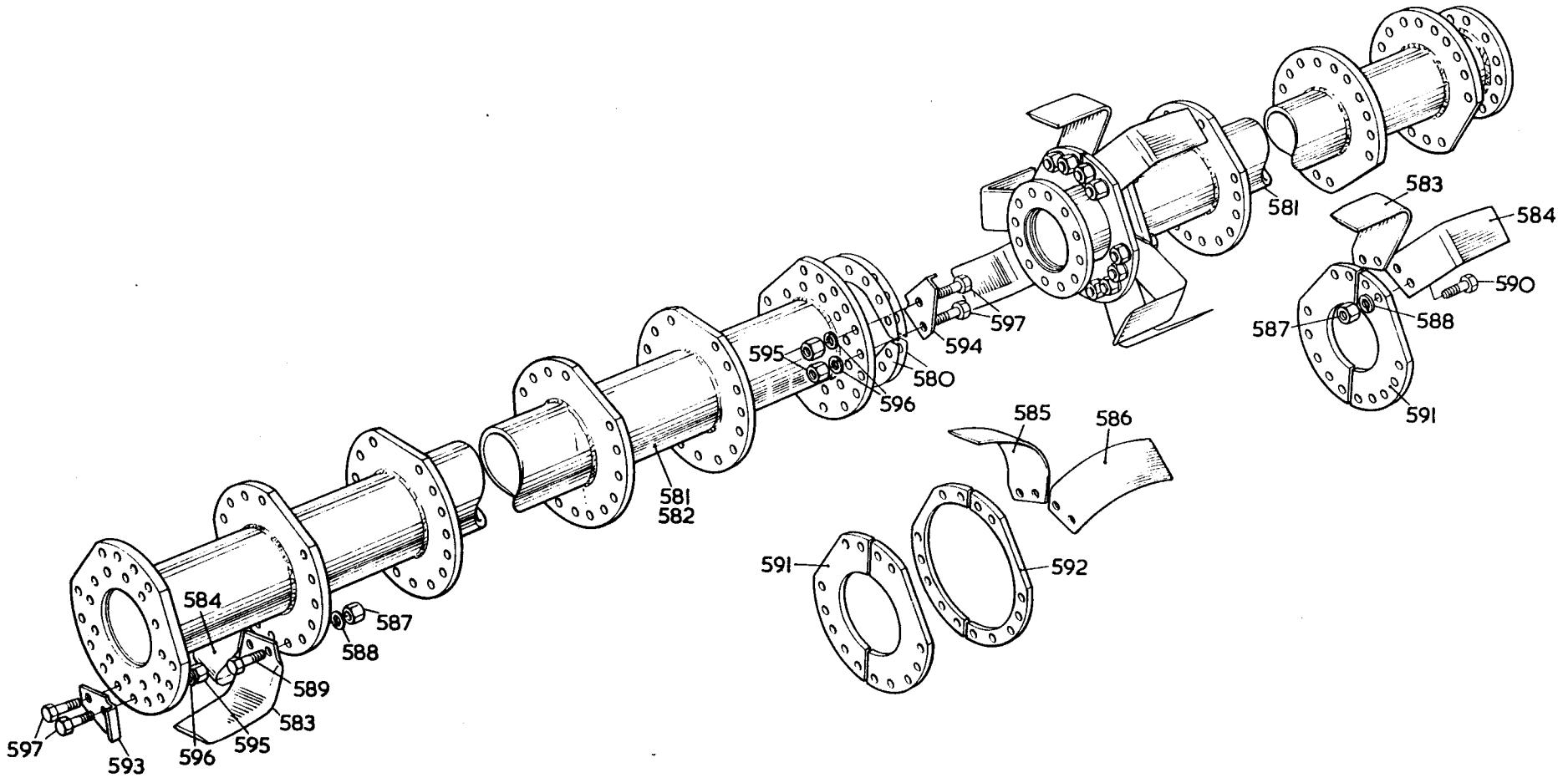


Shield & Trailing Boards



Item	Part No	Description	Qty.		
538	300673	Shield 130"	1		
	300726	Shield 100"	1		
	301004	Shield 80"	1		
539	300671	L.H. Front shield support 130"	1		
	300723	L.H. Front shield support 100"	1		
	300755	L.H. Front shield support 80"	1		
540	300672	R.H. Front shield support 130"	1		
	300724	R.H. Front shield support 100"	1		
	300756	R.H. Front shield support 80"	1		
Models:			80"	100"	130"
541	101406070	Setscrew $\frac{3}{8}$ " UNC x $\frac{7}{8}$ " hex head	10	12	14
542	101406100	Setscrew $\frac{3}{8}$ " UNC x $1\frac{1}{4}$ " hex head	8	10	12
543	108061140	Spring washer $\frac{3}{8}$ "	18	22	26
544	107206010	Nut $\frac{3}{8}$ " UNC	16	20	24
545	300675	L.H. Front bar 130"	1		
	300727	L.H. Front bar 100"	1		
	300759	L.H. Front bar 80"	1		
546	300676	R.H. Front bar 130"	1		
	300728	R.H. Front bar 100"	1		
	300760	R.H. Front bar 80"	1		
547	101410140	Setscrew $\frac{5}{8}$ " UNC x $1\frac{3}{4}$ " hex hd 80" and 130"	12		
	101410140	Setscrew $\frac{5}{8}$ " UNC x $1\frac{3}{4}$ " hex hd 100" model	8		
548	101408140	Setscrew $\frac{1}{2}$ " UNC x $1\frac{3}{4}$ " hex hd 100" model	4		
549	108101740	Spring washer $\frac{5}{8}$ " 80" & 130"	12		
	108101740	Spring washer $\frac{5}{8}$ " 100"	8		
550	108081440	Spring washer $\frac{1}{2}$ " 100"	4		
551	300674	Rear shield support 130"	1		
	300725	Rear shield support 100"	1		
	300758	Rear shield support 80"	1		
552	300677	L.H. Rear bar 130"	1		
	300729	L.H. Rear bar 100"	1		
	300761	L.H. Rear bar 80"	1		
553	300678	R.H. Rear bar 130"	1		
	300730	R.H. Rear bar 100"	1		
	300762	R.H. Rear bar 80"	1		
Models:			80"	100"	130"
554	101408100	Setscrew $\frac{1}{2}$ " UNC x $1\frac{1}{4}$ " hex head	-	6	14
555	101410100	Setscrew $\frac{5}{8}$ " UNC x $1\frac{1}{4}$ " hex head	2	-	-
556	108081440	Spring washer $\frac{1}{2}$ "	-	6	14
557	108101740	Spring washer $\frac{5}{8}$ "	2	-	-
558	300936	Inner rubber shield 130"	1		
	300988	Inner rubber shield 100"	1		
	300991	Inner rubber shield 80"	1		
559	300937	Front retaining strip 130"	1		
	300989	Front retaining strip 100"	1		
	300992	Front retaining strip 80"	1		
560	301366	Rear retaining strip L.H. 130"	1		
	301367	Rear retaining strip R.H. 130"	1		
	300990	Rear retaining strip 100"	1		
	300993	Rear retaining strip 80"	1		
Models:			80"	100"	130"
561	53395	Control rod collar	21	24	29
562	101406040	Setscrew $\frac{3}{8}$ " UNC x $\frac{1}{2}$ " hex head	2	2	2
563	101406080	Setscrew $\frac{3}{8}$ " UNC x 1" hex head	7	7	9
564	101206110	Bolt $\frac{3}{8}$ " UNC x $1\frac{3}{8}$ "	7	7	9
565	101406060	Setscrew $\frac{3}{8}$ " UNC x $\frac{3}{4}$ "	5	6	6
566	108061140	Spring washer $\frac{3}{8}$ "	16	16	20
567	107206010	Nut $\frac{3}{8}$ " UNC	14	14	18
568	209025750	Flat washer $\frac{3}{8}$ "	4	5	6
569	300105	Trailing board 130"	2		
	301028	Trailing board 100"	2		
	301333	Trailing board 80"	2		

Item	Part No	Description	Qty.		
Models:			80"	100"	130"
570	50724	Hinge	6	6	8
571	101308100	Setscrew $\frac{1}{2}$ " UNF x $1\frac{1}{4}$ " hex head	12	12	16
572	101308120	Setscrew $\frac{1}{2}$ " UNF x $1\frac{1}{2}$ " hex head	12	12	16
573	108081440	Spring washer $\frac{1}{2}$ "	24	24	32
574	107108010	Nut $\frac{1}{2}$ " UNF	24	24	32
575	101410140	Setscrew $\frac{5}{8}$ " UNC x $1\frac{3}{4}$ " hex hd	8		
576	108101740	Spring washer $\frac{5}{8}$ "	8		
577-579 Not allocated					



Rotor & Blades



Item	Part No	Description	Qty.		
580	300151	Shim .064"	As Req.		
	300152	Shim .036"	As Req.		
Models:			80"	100"	130"
581	301346	Rotor - open end (spares only)	1	-	-
582	301364	Rotor - standard from machine serial no. 940A 1745	1	-	-
	301022	Rotor	-	1	-
	300149	Rotor	-	-	1

Item	Part No	Description	Qty.
------	---------	-------------	------

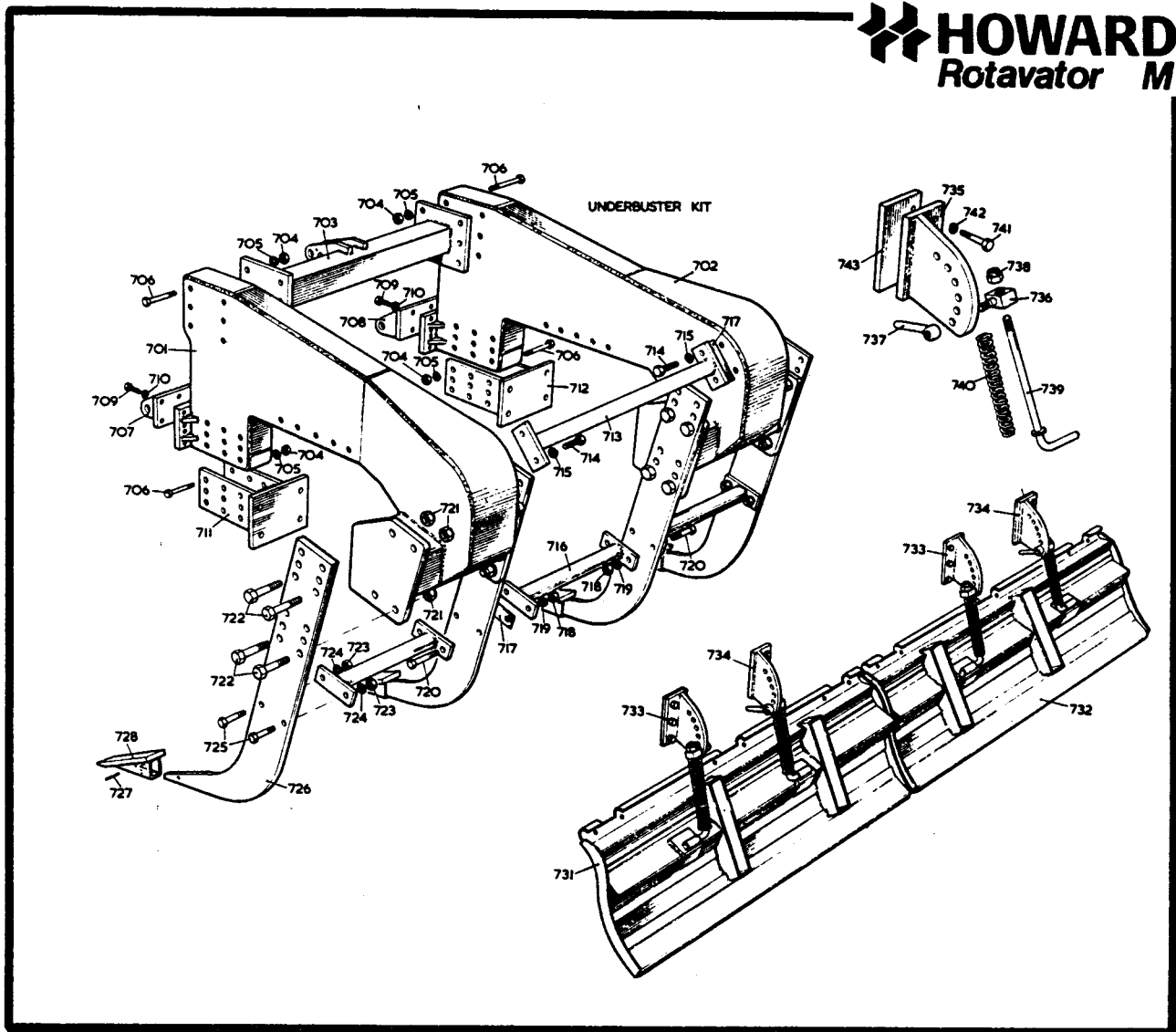
NOTE: Standard blades on M80 (9860 L.H.
 (9861 R.H.
 Standard blades on M100 (9862 L.H.
 and M130 (9863 R.H.
 All other blades are alternatives.

Models:			80"	100"	130"
583	9860	Straight shank blade Heavy duty L.H.	24	30	39
584	9861	Straight shank blade Heavy duty R.H.	24	30	39
583	9862	Straight shank blade L.H.	-	30	39
584	9863	Straight shank blade R.H.	-	30	39
N.I.	9910	Long shank blade L.H.	-	30	39
N.I.	9911	Long shank blade R.H.	-	30	39
N.I.	9864	Hard faced straight blade L.H.	-	30	39
N.I.	9865	Hard faced straight blade R.H.	-	30	39
N.I.	9868	Hard faced heavy duty L.H.	24	-	-
N.I.	9869	Hard faced heavy duty R.H.	24	-	-
N.I.	69766	Hard faced long shank blade L.H.	-	30	39
N.I.	69767	Hard faced long shank blade R.H.	-	30	39
585	9950	Speed blade L.H.	-	30	39
586	9951	Speed blade R.H.	-	30	39
N.I.	69756	Hard faced speed blade L.H.	-	30	39
N.I.	69757	Hard faced speed blade R.H.	-	30	39
587	67557	High nut	96	120	156
588	108101740	Spring washer 5/8"	96	120	156
589	*9850	Blade bolt	-	120	156
590	†301350	Blade bolt	96	-	-
	†9854	Blade bolt (use with clamping rings)	-	120	-
591	†301355	Centre clamping ring	7	9	-
592	†301349	End clamping ring	2	2	-
NOTE: Items 591 and 592 supplied in pairs.					
593	300228	Shearing blade L.H.	1	1	1
594	300229	Shearing blade R.H.	1	1	1
595	67557	High nut	4	4	4
596	108101740	Spring washer 3/8"	4	4	4
597	*9850	Blade bolt	4	4	4
	*67556	Blade bolt assembly pack comprising:-	As Req.		
	9850	Blade bolt) 10 each per		
	108101740	Spring washer 5/8") pack		
	67557	High nut)		

598-600 Not allocated

NOTE: *Blade bolt 9850 supplied only as part of blade bolt assembly pack 67556.

NOTE: †Standard fitment 80" model, Optional fitment 100" model.

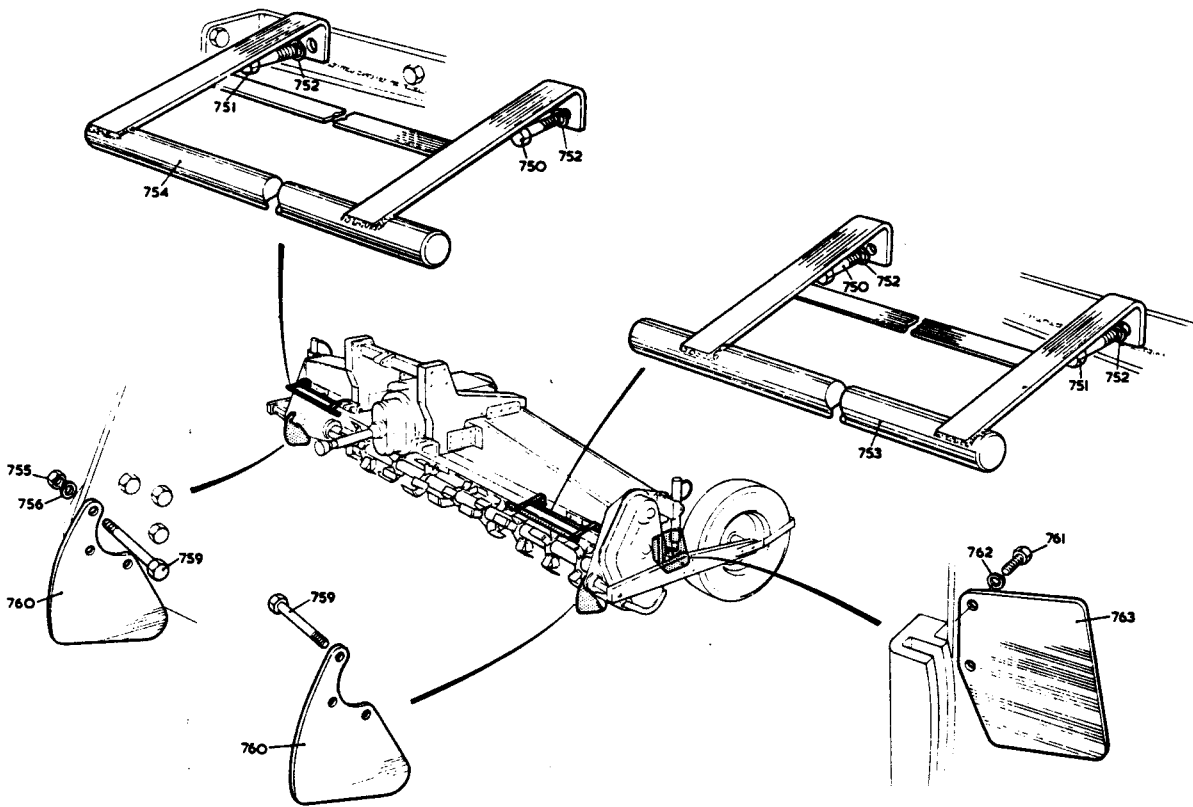


Underbuster Kit

Only for use with machines fitted with hydraulic depth control assembly.

Item	Part No	Description	Qty.	Item	Part No	Description	Qty.
				729-730		Not allocated	
701	309202	Top mast plate L.H.	1	731	309245	Trailing Board L.H. 80"	1
702	309201	Top mast plate R.H.	1		309585	Trailing board L.H.100"	1
703	309212	Top mast	1	732	309244	Trailing board R.H. 80"	1
704	107210010	Nut $\frac{5}{8}$ " UNC	24		309586	Trailing board R.H. 100"	1
705	108101740	Spring washer $\frac{5}{8}$ "	24			Trailing board adjustment assy comprising:-	1
706	101210380	Bolt $\frac{5}{8}$ " UNC x $4\frac{3}{4}$ "	24	733	309247	80" machine L.H. Illustration nos. 735A, 736 and 737	1
707	309206	Clevis L.H.	1	734	309246	80" machine R.H. Illustration nos. 735b, 736 and 737	1
708	309205	Clevis R.H.	1	733	309595	100" machine Illustration nos. 735d, 736 to 742	2
709	101410140	Setscrew $\frac{5}{8}$ " UNC x $1\frac{3}{4}$ " hex hd	12	734	309587	100" machine Illustration nos. 735c, 736 to 742	2
710	108101740	Spring washer $\frac{5}{8}$ "	12				
711	309208	Lower mounting bracket L.H.	1	Model:			80" 100"
712	309207	Lower mounting bracket R.H.	1	735a	309257	Quadrant)	1 -
713	309209	Tie tube	1	735b	309258	Quadrant) See above for	1 -
714	101410140	Setscrew $\frac{5}{8}$ " UNC x $1\frac{3}{4}$ " hex hd	4	735c	309588	Quadrant) application	- 2
715	108101740	Spring washer $\frac{5}{8}$ "	4	735d	309596	Quadrant)	- 2
716	309210	Tie tube (tines)	3	736	309256	Trunnion	2 4
717	309211	Packing strip	Av. 6	737	54228	Adjusting lever	2 4
718	107210010	Nut $\frac{5}{8}$ " UNC	4	738	107110130	Nut $\frac{5}{8}$ " UNF Philidas	2 4
719	108101740	Spring washer $\frac{5}{8}$ "	4	739	300458	Spring bar	2 4
720	101210240	Bolt $\frac{5}{8}$ " UNC x 3"	4	740	300457	Spring	2 4
721	107216030	Nut 1" UNC Philidas WUC 1/1	16	741	101206160	Bolt $\frac{3}{4}$ " UNC x 2"	2 12
722	101216260	Bolt 1" UNC x $3\frac{1}{4}$ "	16	742	108061140	Spring washer $\frac{3}{8}$ "	2 12
723	107210010	Nut $\frac{5}{8}$ " UNC	4	743	309597	Spacer plate	- 2
724	108101740	Spring washer $\frac{5}{8}$ "	4	744-749		Not allocated	
725	101210180	Bolt $\frac{5}{8}$ " UNC x $2\frac{1}{4}$ "	4				
726	309203	Tine	4				
727	208015070	Spirol pin $\frac{1}{4}$ " x $1\frac{1}{2}$ "	4				
728	309204	Tine top	4				

HOWARD Rotavator M



Safety Guards

Item Part No Description Qty.
*These items are not part of the kit and are already fitted to the machine.

Models:			80"	100"	130"
750	101408120	Setscrew $\frac{1}{2}$ " UNC x $1\frac{1}{2}$ " hex head	-	2	2
751	101210160	Bolt $\frac{5}{8}$ " UNC x 2"	4	2	2
*752	108017740	Spring washer $\frac{5}{8}$ "	4	2	2
*752	108081440	Spring washer $\frac{1}{2}$ "	-	2	2
753	301077	Guard L.H.	1	-	-
	301085	Guard L.H.	-	1	-
	301090	Guard L.H.	-	-	1
754	301076	Guard R.H.	1	-	-
	301084	Guard R.H.	-	1	-
	301089	Guard R.H.	-	-	1
*755	107208010	Nut $\frac{1}{2}$ " UNC	6	6	6
*756	108081440	Spring washer $\frac{5}{8}$ "	6	6	6
757-758 Not allocated					
759	101208160	Bolt $\frac{1}{2}$ " UNC x 2" without parking jack	6	6	6
	101208200	Bolt $\frac{1}{2}$ " UNC x $2\frac{1}{2}$ " with parking jack	6	6	6
760	301079	Foot guard plate	2	2	2
*761	101408100	Setscrew $\frac{1}{2}$ " UNC x $1\frac{1}{4}$ " hex head	4	4	4
*762	108081440	Spring washer $\frac{1}{2}$ "	4	4	4
763	301080	Rotor guard plate	2	2	2

Item	Part No	Description	Qty.
Machine Transfers			
N.I.	58288	Howard Rotavator 'M' Label	1
N.I.	58179	Selectatilt Label	1
N.I.	58173	Warning label	1
N.I.	58195	Royal Coat of Arms and Queen's Award Label	1
N.I.	64279	Lubrication Label	1