



Rotavator HL

PARTS LIST

General Information

Serial No. Prefix 345L.....

Serial number is located on end of main frame right hand side.
Seal face sealing on rotor drives.

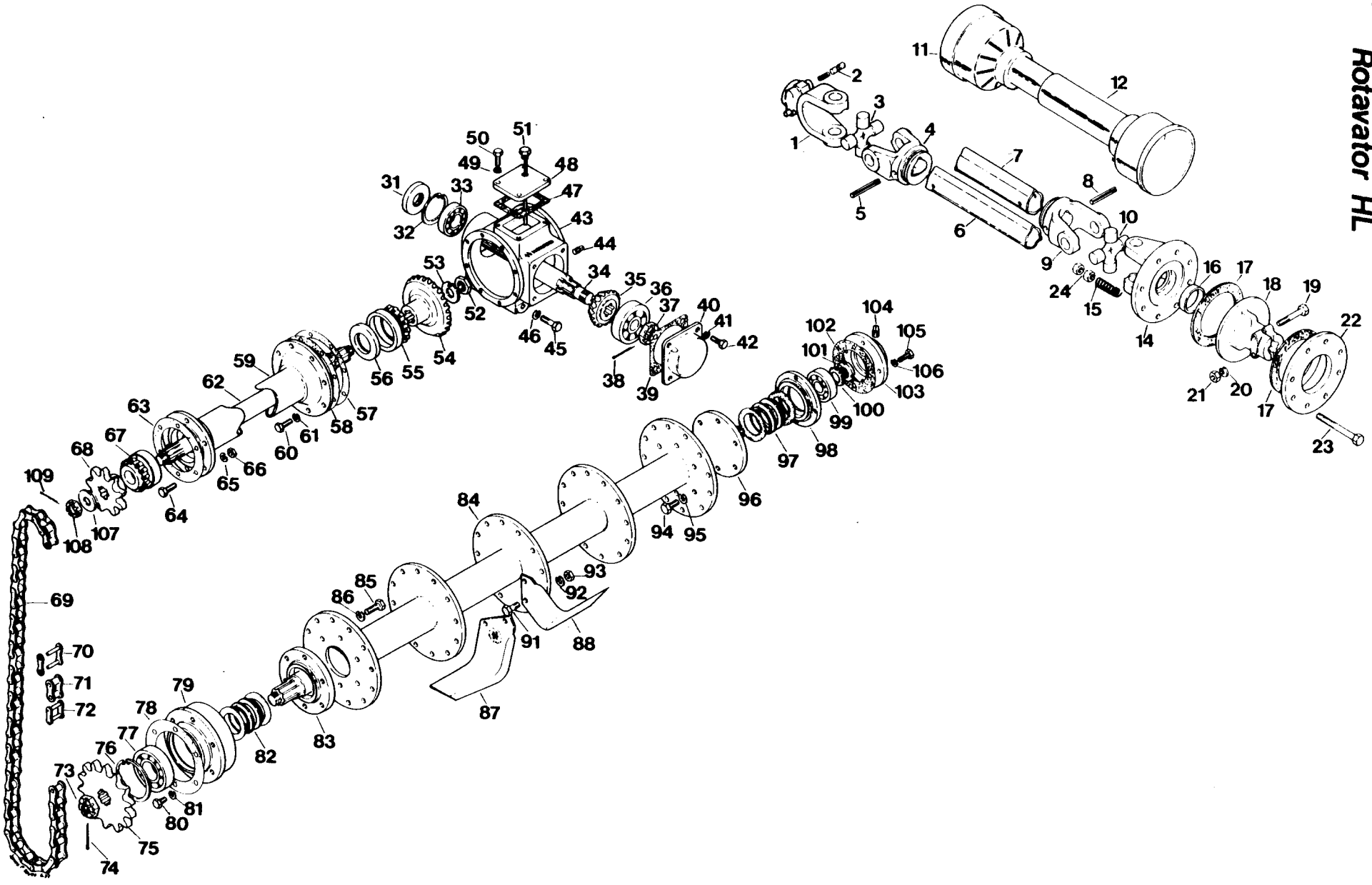
Special Notes:

- ◀ Left Hand
- ▶ Right Hand
- ▲ Upper
- ▼ Lower
- ◀▶ Width
- ▶▶ Length
- ↑ From serial number
- ↓ Up to serial number
- ↻ rpm

- Y Alternative
- * Change since last print
- 306357x6 Quantity
- 306357# Quantity as required
- # Only for
- || Central
- || Offset
- Z Number of teeth

Catalogue no.	Issue	Page Affected
77062	5/90	New Issue

Note: Some components illustrated may no longer be available. All components have been shown for identification purposes.

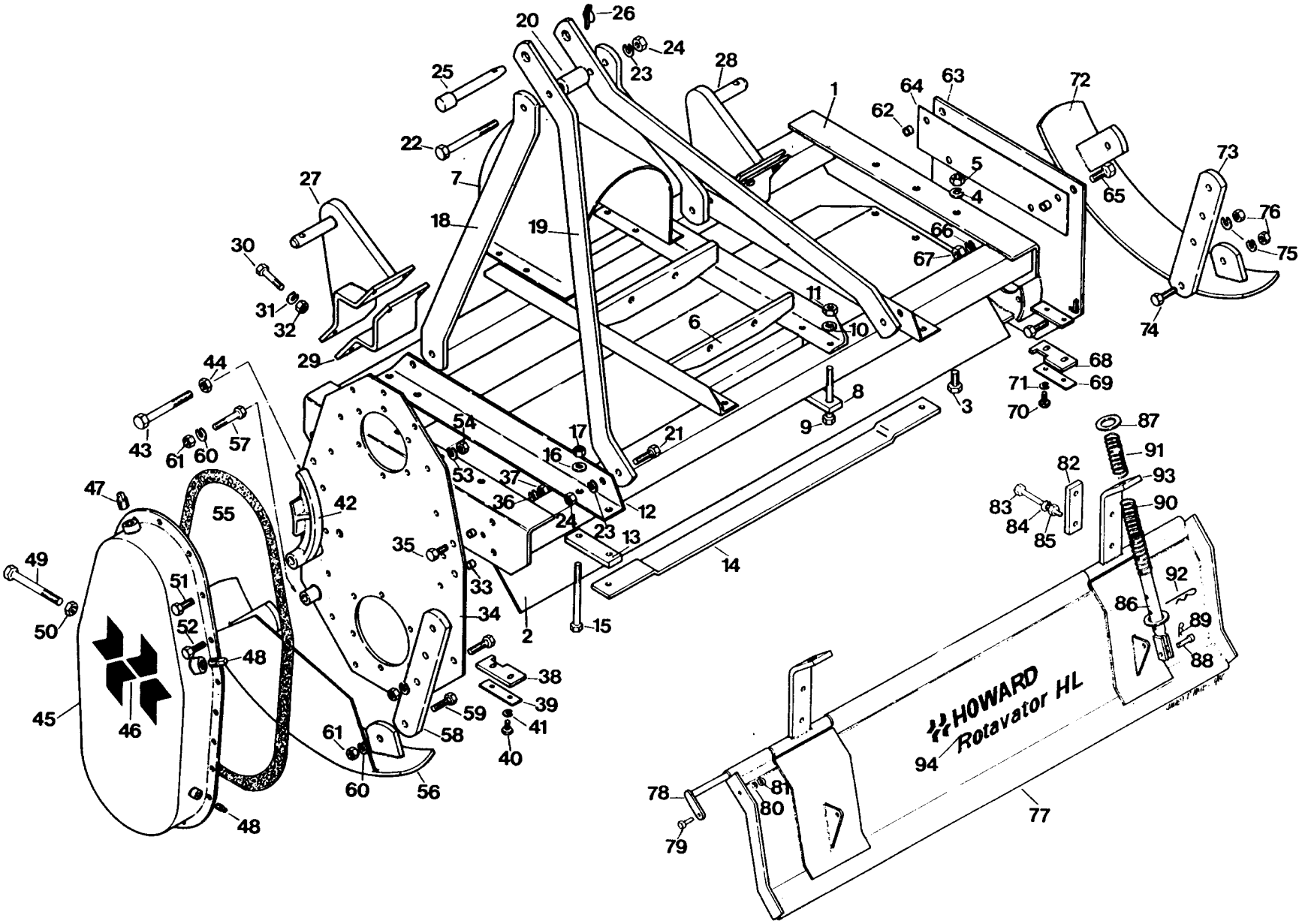


Drive and Rotor Assemblies



Item	Part No.	Description	Qty.	Item	Part No.	Description	Qty.
	70240	Drive Shaft Assembly #5.04.00	1	63	328080	Gasket	1
		Inner Tube Assembly #5.04.01.3361		64	301410305	Setscrew M10 x 30 Hex G8.8	6
1	204051080	P.T.O. Yoke # 6.05.07	1	65	308100045	Spring Washer M10	6
2	204056290	Lock Pin Kit #1.08.25	1	66	307210015	Nut M10 Hex	6
3	204056380	Universal Joint #6.41	1	67	253580231	Bearing #30307	1
4	204051070	Yoke #6.07	1	68	328044	Sprocket 9T (standard)	1
5	208089240	Pin #6.13	1		328043	Sprocket 10T (optional)	1
6	204054070	Tube #5.04.01.280	1	69	204045980	Chain 1 1/4" P x 34 links	1
		Outer Tube Assembly #45.03.260	1	70	204033020	Connecting Link	
7	204054040	Tube #6.03.00.265	1	71	204033030	Inner Link	
8	208089370	Pin #6.12	1	72	204033040	Outer Link	
9	204051060	Yoke #6.06	1	73	611613	Slotted Nut	1
10	204056380	Universal Joint #6.41	1	74	208010860	Split Pin M5 x 50	1
	204055020	Cover Assemblies #3999/aZ	1	75	611655	Sprocket 14T (standard)	1
11		Inner Cover #6.74.300	1		611656	Sprocket 13T (optional)	1
12		Outer Cover #6.73.300	1	76	208001510	Circlip M100 Internal	1
13			1	77	254510251	Bearing #6309	1
	204056320	Clutch Assembly #59630	1	78	611610	Gasket	1
14	204056360	Clutch Plate #61011	1	79	611606	Rotor Drive Housing	1
15	204056410	Spring #37.06.02	8	80	301410165	Setscrew M10 x 16 Hex G8.8	6
16	204056200	Sleeve #68.02.02	1	81	308100045	Spring Washer M10	6
17	204056340	Friction Disc #38.03.01	2	82	611599	Seal Kit	1
18	204056350	Clutch Disc #61012	1	83	611602	Rotor Drive Shaft	1
19	301212800	Bolt M12 x 80 Hex G8.8	2	84	328147	Rotor HL40	1
20	308120040	Spring Washer M12	2		328172	Rotor HL50	1
21	307212010	Nut M12 Hex	2		328184	Rotor HL60	1
22	204056330	Pressure Plate #61010	1		611620	Rotor HL70	1
23	301210900	Bolt M10 x 90 Hex G8.8	8	85	301412305	Setscrew M12 x 30 Hex G8.8	6
24	307210010	Nut M10 Hex G8	16	86	308120045	Spring Washer M12	6
25 - 30		Not Allocated		87	9900	Blade L.H. 40(12) 50(15) 60(18) 70(21)	
31	267235082	Oil Seal	1		9901	Blade R.H. 40(12) 50(15) 60(18) 70(21)	
32	208001310	Circlip M72 Internal	1	88			
33	253572171	Bearing #6207	1	89-90		Not Allocated	
34	611642	Input Shaft	1	91	70027	Blade Bolt - special	As Req.
35	611644	Pinion	1	92	108071245	Spring Washer 7/8"	As Req.
36	253090231	Bearing #6406	1	93	107107015	Nut 7/8" UNF Hex	As Req.
37	611613	Slotted Nut	1	94	301412255	Setscrew M12 x 25 Hex G8.8	6
38	208010860	Split Pin M5 x 50	1	95	308120045	Spring Washer M12	6
39	328071	Gasket 0.1mm	As Req.	96	611604	Stub Axle	1
	328073	Gasket .05mm	As Req.	97	611599	Seal Kit	1
40	328069	End Cover	1	98	611605	Stub Axle Housing	1
41	308100045	Spring Washer M10	4	99	253072191	Bearing #6306	1
42	301410305	Setscrew M10 x 30 Hex G8.8	4	100	253049011	Washer - Fag #MB6	1
43	328065	Gearbox	1	101	253045071	Nut - Fag #KM6	1
44	203031160	Drain Plug 1/8" BSP	1	102	611611	Gasket	2
45	301212405	Bolt M12 x 40 Hex G8.8	4	103	611609	End Cover	1
46	308120035	Shakeproof Washer	4	104	203031180	Plug 3/4" BSP	1
47	328068	Gasket	1	105	301408255	Setscrew M8 x 25 Hex G8.8	4
48	328067	Inspection Cover	1	106	308080045	Spring Washer M8	4
49	308100045	Spring Washer M10	4	107	611681	Washer	1
50	301410255	Setscrew M10 x 25 Hex G8.8	4	108	611680	Nut	1
51	328260	Dipstick	1	109	208016070	Split Pin M5 x 45	1
52	328047	Nut	1				
53	611681	Tab Washer	1				
54	611643	Crownwheel	1				
55	255090221	Bearing #30210	1				
56	268050102	Oil Seal	1				
57	328083	Gasket 0.5mm	As Req.				
58	611649	Gasket 0.08mm	1				
59	328191	Housing HL40AL	1				
	328143	Housing HL50AL, HL40, HL60L	1				
	328168	Housing HL60AL, HL50	1				
	328181	Housing HL70L, HL60	1				
	328075	Housing HL50L	1				
60	301410305	Setscrew M10 x 30 Hex G8.8	8				
61	308100045	Spring Washer M10	8				
62	611654	Jackshaft HL40AL	1				
	611651	Jackshaft HL50AL, HL40, HL60L	1				
	611650	Jackshaft HL50L	1				
	611652	Jackshaft HL60AL, HL50	1				
	611653	Jackshaft HL70AL, HL60	1				

HOWARD
Rotavator HL



Frame and Shields



Item	Part No.	Description	Qty.	Item	Part No.	Description	Qty.
1	611637	Main Frame HL40	1	65	301410255	Setscrew M10 x 25 Hex G8.8	4
	611622	Main Frame HL50	1	66	308100045	Spring Washer M10	4
	611623	Main Frame HL60	1	67	307210015	Nut M10 Hex G8	4
	611624	Main Frame HL70	1	68	644821	Weedcutter	1
2	611639	Shield HL40	1	69	644824	Backing Strip	1
	611628	Shield HL50	1	70	301408205	Setscrew M8 x 20 Hex G8.8	2
	611629	Shield HL60	1	71	308080045	Spring Washer M8	2
	611630	Shield HL70	1	72	328120	Skid R.H.	1
3	301412255	Setscrew M12 x 25 Hex G8.8	6	73	328122	Adjusting Bar	1
4	308120045	Spring Washer M12	6	74	301412355	Setscrew M12 x 35 Hex G8.8	3
5	307212015	Nut M12 Hex G8	6	75	308120045	Spring Washer M12	3
6	328084	Gearbox Mounting Bracket	1	76	307212015	Nut M12 Hex G8	3
7	328248	Clutch Cover	1	77	644681	Trailing Board HL40	1
8	644599	Clamp Plate	4		644682	Trailing Board HL50	1
9	301210805	Bolt M10 x 80 Hex G8.8	8		644683	Trailing Board HL60	1
10	308100030	Shakeproof Washer M10	8		644684	Trailing Board HL70	1
11	307210015	Nut M10 Hex G8	8	78	644576	Hinge Pin HL40	1
12	644555	Mounting Bracket	2		644577	Hinge Pin HL50	1
13	644539	Clamp Plate	4		644575	Hinge Pin HL60	1
14	644812	Strap	2		644574	Hinge Pin HL70	1
15	301212905	Bolt M12 x 90 Hex G8.8	8	79	301406155	Setscrew M6 x 15 Hex G8.8	1
16	308120030	Shakeproof Wahser M12	8	80	308060045	Spring Washer M6	1
17	307212015	Nut M12 Hex G8	8	81	307206015	Nut M6 Hex G8	1
18	328132	Front Support	2	82	644599	Clamp Plate	2
19	328239	Rear Support	2	83	301210905	Bolt M10 x 90 Hex G8.8	4
20	328133	Spacer	1	84	308100045	Spring Washer M10	4
21	301412355	Setscrew M12 x 35 Hex G8.8	4	85	307210015	Nut M10 Hex G8	4
22	301612125	Bolt M12 x 120 Hex G8.8	1	86	644566	Adjusting Tube	2
23	308120045	Spring Washer M12	5	87	644578	Washer	8
24	307212015	Nut M12 Hex G8	5	88	644563	Pin	2
25	70071	Hitch Pin	1	89	208014010	Clip	2
26	610661	Cotter Assembly	1	90	644580	Spring - long	2
27	611646	Mounting Arm L.H.	1	91	644579	Spring - short	2
28	611647	Mounting Arm R.H.	1	92	644688	Clip	4
29	328128	Clamp Plate	2	93	644564	Hinge	2
30	301212405	Bolt M12 x 40 Hex G8.8	8	94	70674	Transfer	1
31	308120045	Spring Washer M12	8				
32	307212015	Nut M12 Hex G8	8				
33	328123	Sleeve	4				
34	328220	Backplate	1				
35	301410255	Setscrew M10 x 25 Hex G8.8	4				
36	308100045	Spring Washer M10	4				
37	307210015	Nut M10 Hex G8	4				
38	644821	Weedcutter	1				
39	644824	Backing Strip	1				
40	301408205	Setscrew M8 x 20 Hex G8.8	2				
41	308080045	Spring Washer M8	2				
42	328037	Chain Adjusting Skid	1				
43	301216805	Bolt M16 x 80 Hex G8.8	1				
44	307216015	Locknut M16 Hex G8	1				
45	328034	Chaincase	1				
46	70670	Transfer	1				
47	611645	Filler Plug	1				
48	203031180	Level Plug $\frac{3}{8}$ " BSP	2				
49	644826	Adjusting Screw	1				
50	307216015	Locknut M16 Hex	1				
51	301410205	Setscrew M10 x 20 Hex G8.8	14				
52	301410255	Setscrew M10 x 25 Hex G8.8	4				
53	308100045	Spring Washer M10	18				
54	307210015	Nut M10 Hex G8	18				
55	61056	Gasket	1				
56	328116	Skid L.H.	1				
57	301212505	Bolt M12 x 50 Hex G8.8	1				
58	328122	Adjusting Bar	1				
59	301412355	Setscrew M12 x 35 Hex G8.8	2				
60	308120045	Spring Washer M12	3				
61	307212015	Nut M12 Hex G8	3				
62	328123	Sleeve	4				
63	611607	Stub Axle Plate	1				
64	611612	Shim	As Req.				