



Ripper AR

(HR30A)

PARTS LIST

General Information

Serial No. Prefix 737N.....

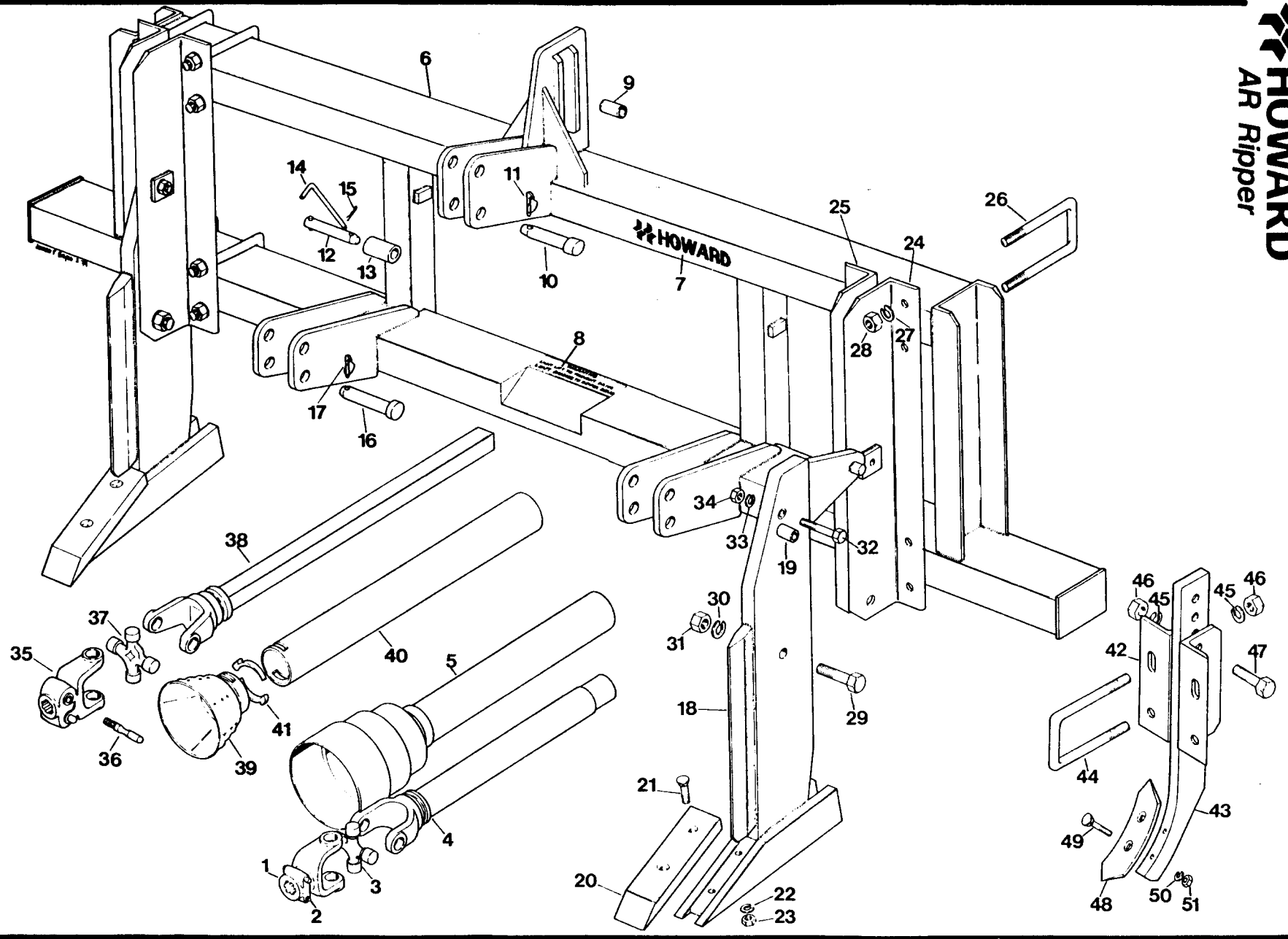
Serial number is located on front RH side of frame.

Special Notes:

- | | | | |
|---|---------------------|----------|-------------------------|
| ◀ | Left Hand | ↘ | Alternative |
| ▶ | Right Hand | * | Change since last print |
| ▲ | Upper | 306357x6 | Quantity |
| ▼ | Lower | 306357# | Quantity as required |
| ↔ | Width | ☐ | Only for |
| ↔ | Length | ☐ | Central |
| T | From serial number | ☐ | Offset |
| ↑ | Up to serial number | Z | Number of teeth |
| ↻ | rpm | | |

Catalogue no.	Issue	Page Affected
77056	5/90	New Issue

Note: Some components illustrated may no longer be available. All components have been shown for identification purposes.



Ripper Assembly



Item	Part No.	Description	Qty.	Item	Part No.	Description	Qty.
Bypy Involute Spline Drive Shaft							
	204057021	Outer Drive Shaft Assembly #M9421 Fitted with 1 3/8" 6 spline p.t.o.					
1	204051110	P.T.O. Yoke 6 spline #7.05.07	1				
2	204056290	Lock Pin Kit #1.08.25	2				
3	204056420	Universal Joint #7.41	1				
4	204054260	Outer Drive Shaft #807.60.610	1				
5	204055044	Outer Guard Assembly #1.73.43	1				
6	611490	Frame	1				
7	70601	Transfer	1				
8	70675	Transfer	1				
9	611480	Sleeve - top	1				
10	73358	Hitch Pin	1				
11	610661	Cotter Assembly	1				
12	610654	Hitch Pin Cat I - bottom	2				
	611303	Hitch Pin Cat II - bottom	2				
13	611478	Sleeve Cat I	4				
	611479	Sleeve Cat II	4				
14	77479	Retaining Pin	2				
15	208014010	Grip Clip	2				
16	611303	Hitch Pin	2				
17	610661	Cotter Assembly	2				
		Tyne Assembly	As Req.				
18	77464	Tyne	2				
19	611501	Bush	2				
20	76036	Point	2				
21	74684	Plough Bolt	4				
22	108081440	Spring Washer 1/2"	4				
23	107608010	Nut 1/2" BSW Hex	4				
24	611502	Clamp L.H.	2				
25	611573	Clamp R.H.	2				
26	611575	U Bolt	8				
27	308200040	Spring Washer M20	16				
28	307220010	Nut M20 Hex	16				
29	301224850	Bolt M24 x 85 Hex G8.8	2				
30	308240040	Spring Washer M24	2				
31	307224010	Nut M24 Hex	2				
32	125609280	Bolt 9/16" BSW x 3 1/2" Hex	2				
33	108091640	Spring Washer 9/16"	2				
34	107609010	Nut 9/16" BSW Hex	2				
Service Notes							
Hardy Spicer Rectangular Shaft							
	70473	Inner Shaft Assembly					
	70464	Inner Shaft					
35	70316	P.T.O. Yoke - 6 spline	1				
36	70363	Lock Pin Kit	2				
37	204011650	Universal Joint	1				
38	70465	Shaft	1				
	70468	Inner Cover Set 70394					
39	70350	Joint Cover	1				
40	70469	Inner Cover					
41	70351	Slipper	2				
Secondary Tyne Assembly							
Top Assembly No. H91291003D							
42	611778	Clamp	4				
43	611782	Secondary Tyne	4				
44	611575	U Bolt	8				
45	308200040	Spring Washer M20	20				
46	307220010	Nut M20 Hex G8	20				
47	301220750	Bolt M20 x 75 Hex G8.8	4				
48	76593	Point 209026280	4				
49	104607240	Plough Bolt 7/16" x 3" Csk.sq.nk.	8				
50	108071240	Spring Washer 7/16"	8				
51	107607010	Nut 7/16" BSW Hex	8				