



Ripper AH

(HR40A)

PARTS LIST

General Information

Serial No. Prefix 766N.....

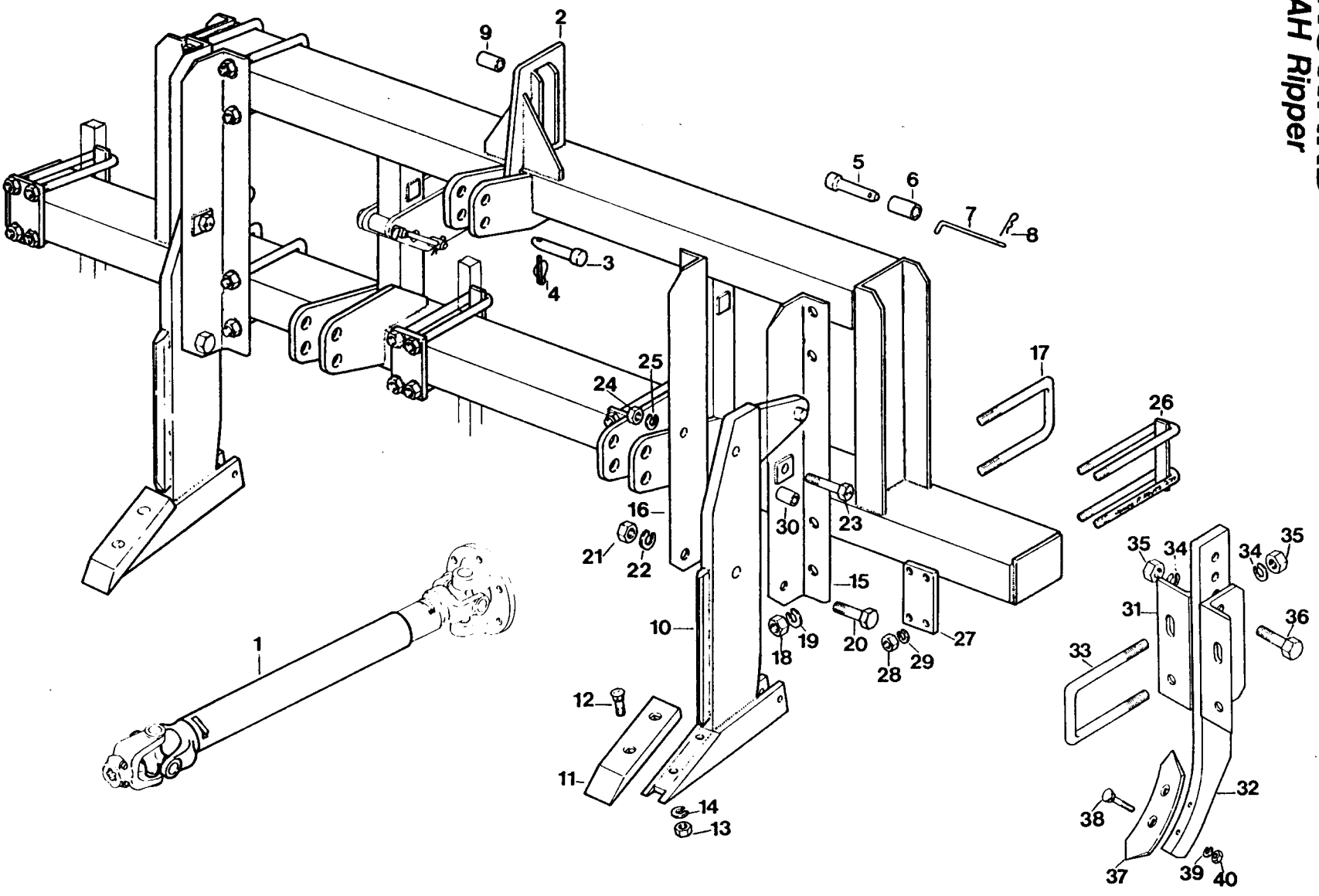
Serial number is located on front RH side of frame.

Special Notes:

- ◀ Left Hand
- ▶ Right Hand
- ▲ Upper
- ▼ Lower
- ◀▶ Width
- ▶▶ Length
- ▶▶ From serial number
- ▶▶ Up to serial number
- ↻ rpm
- ↘ Alternative
- * Change since last print
- 306357x6 Quantity
- 306357# Quantity as required
- ☐ Only for
- ☐ Central
- ☐ Offset
- Z Number of teeth

Catalogue no.	Issue	Page Affected
77058	5/90	New Issue

Note: Some components illustrated may no longer be available. All components have been shown for identification purposes.



Ripper Assembly



Item	Part No.	Description	Qty.	Item	Part No.	Description	Qty.
1	611545	Outer Drive Shaft Assembly	NA				
		consists of					
		611546 Outer Shaft	1				
		204011740 Universal Joint	1				
		611528 End Yoke Assembly	1				
		611549 Cover	1				
		611565 Joint Cover	1				
		70358 Slipper	2				
2	77449	Frame (2 & 4 Tyne)	1				
	77449	Frame (6 Tyne)	1				
3	73358	Hitch Pin—top	1				
4	610661	Cotter Assembly	1				
5	611303	Clevis Pin	4				
6	611479	Sleeve	4				
7	77479	Retaining Pin	2				
8	208014010	Clip	2				
9	611332	Sleeve	1				
		Tyne Assembly	2				
10	77464	Tyne	2				
11	76036	Point	2				
12	74684	Bolt	4				
13	107608010	Nut $\frac{1}{2}$ " BSW Hex	4				
14	108081440	Spring Washer $\frac{1}{2}$ "	4				
15	77470	L.H. Tyne Clamp	2				
16	77471	R.H. Tyne Clamp	2				
17	77474	U Bolt	8				
18	307220010	Nut M20 Hex G8	16				
19	308200040	Spring Washer M20	16				
20	301224850	Bolt M24 x 85 Hex G8.8	2				
21	307224010	Nut M24 Hex G8	2				
22	308240040	Spring Washer M24	2				
23	338616100	Bolt M16 x 100 Hex G4.6	2				
24	307216010	Nut M16 Hex G8	2				
25	308160040	Spring Washer M16	2				
26	77475	Tyne Clamp	4				
27	77478	Clamp Plate	4				
28	307216010	Nut M16 Hex G8	16				
29	308160040	Spring Washer M16	16				
N.I.	70601	Transfer	1				
30	77469	Bush	2				

Tyne Assemblies and Clamps

Quantities shown are for two tynes only, for Rippers fitted with four tynes multiply by 2, Rippers fitted with six tynes multiply by 3.

Secondary Tyne Assembly

Top Assembly No. H91293003D

31	611778	Clamp	4
32	611782	Secondary Tyne	4
33	77474	U Bolt	8
34	308200040	Spring Washer M20	20
35	307220010	Nut M20 Hex G8	20
36	301220750	Bolt M20 x 75 Hex G8.8	4
37	76593	Point 209026290	4
38	104607240	Plough Bolt $\frac{7}{16}$ " x 3 Csk.sq.nk.	8
39	108071240	Spring Washer $\frac{7}{16}$ "	8
40	107607010	Nut $\frac{7}{16}$ " BSW Hex	8