



Rotavator AH

(HR40A)

PARTS LIST

General Information

Serial No. Prefix 765N.....

Serial number is located on front RH side of frame.

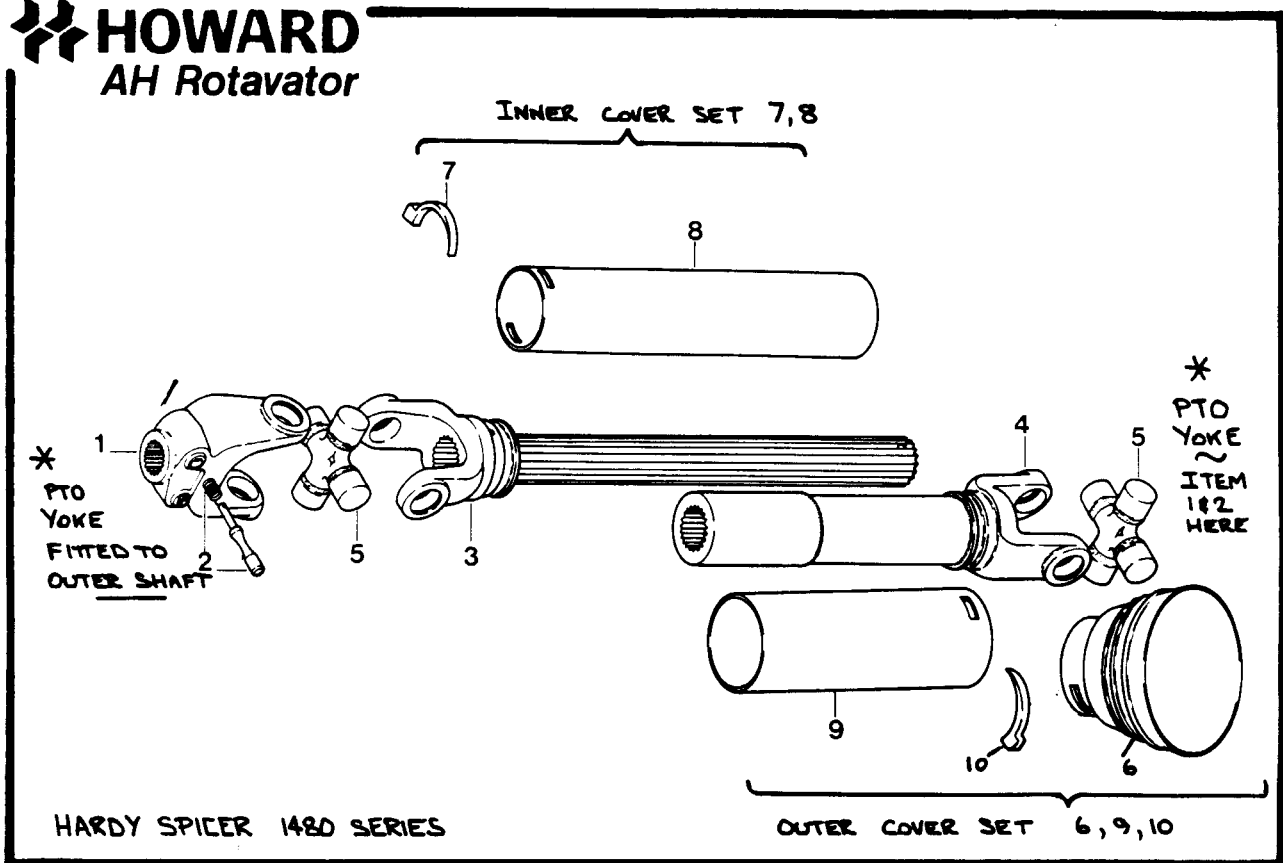
Special Notes:

- ◀ Left Hand
- ▶ Right Hand
- ▲ Upper
- ▼ Lower
- ◀▶ Width
- ▶▶ Length
- ↑ From serial number
- ↓ Up to serial number
- ↻ rpm
- Y Alternative
- * Change since last print
- 306357x6 Quantity
- 306357# Quantity as required
- ⌈ Only for
- ⌋ Central
- ⌌ Offset
- Z Number of teeth

Catalogue no.	Issue	Page Affected
77058	5/90	New Issue

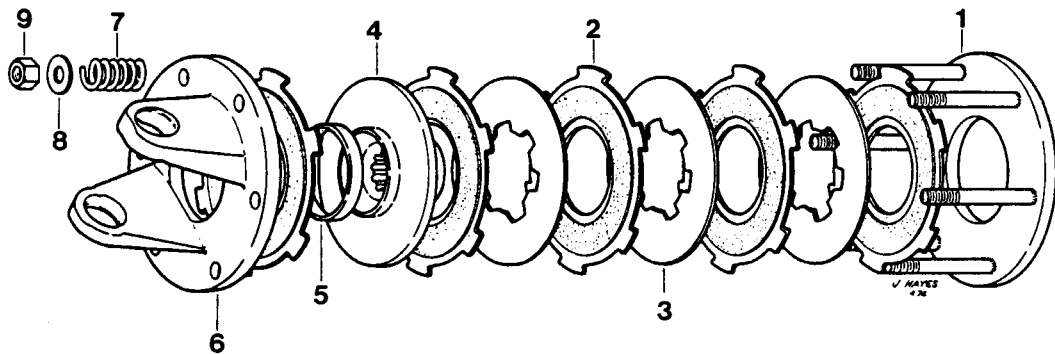
Note: Some components illustrated may no longer be available. All components have been shown for identification purposes.

HOWARD AH Rotavator



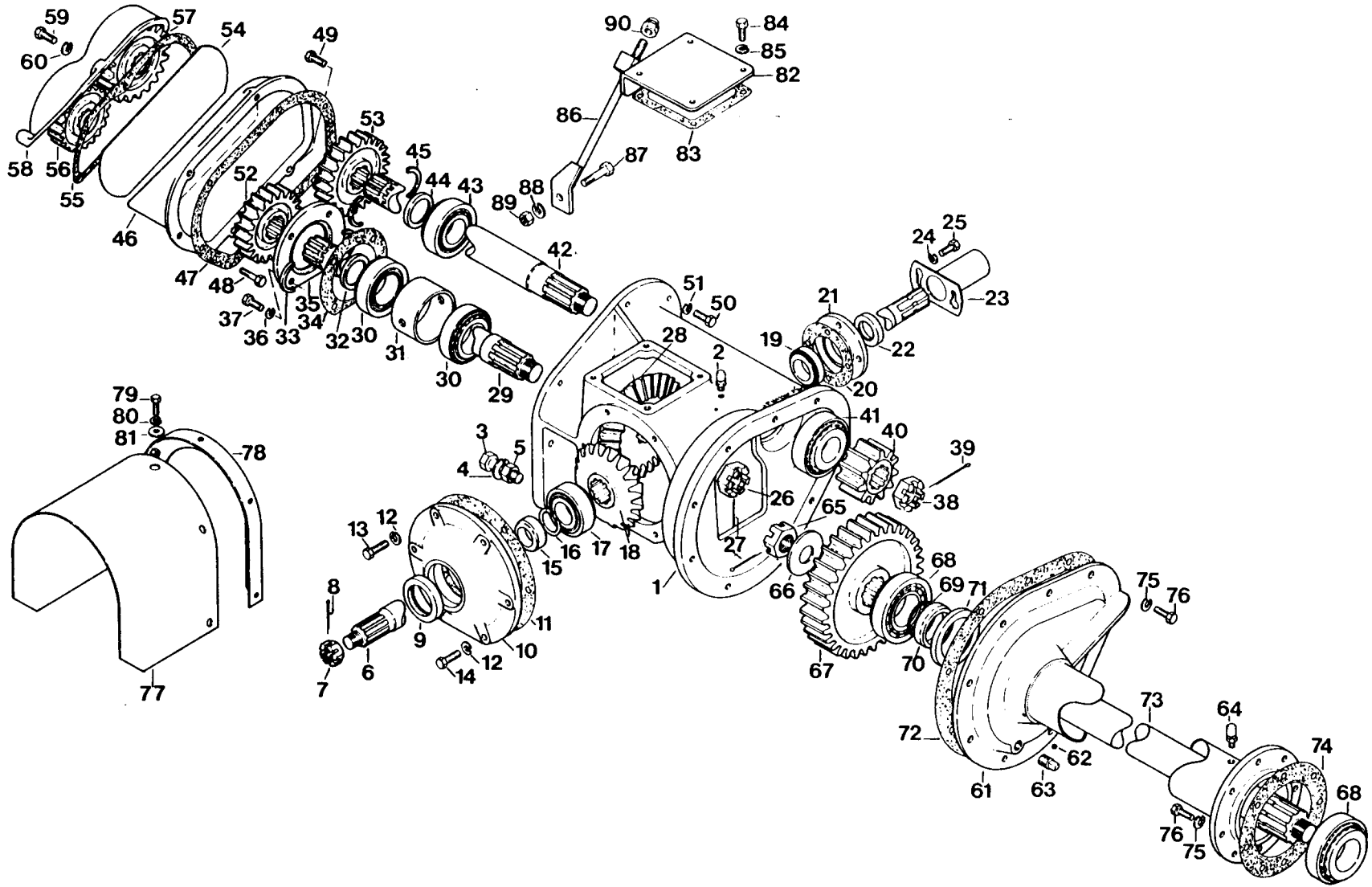
Drive Shaft

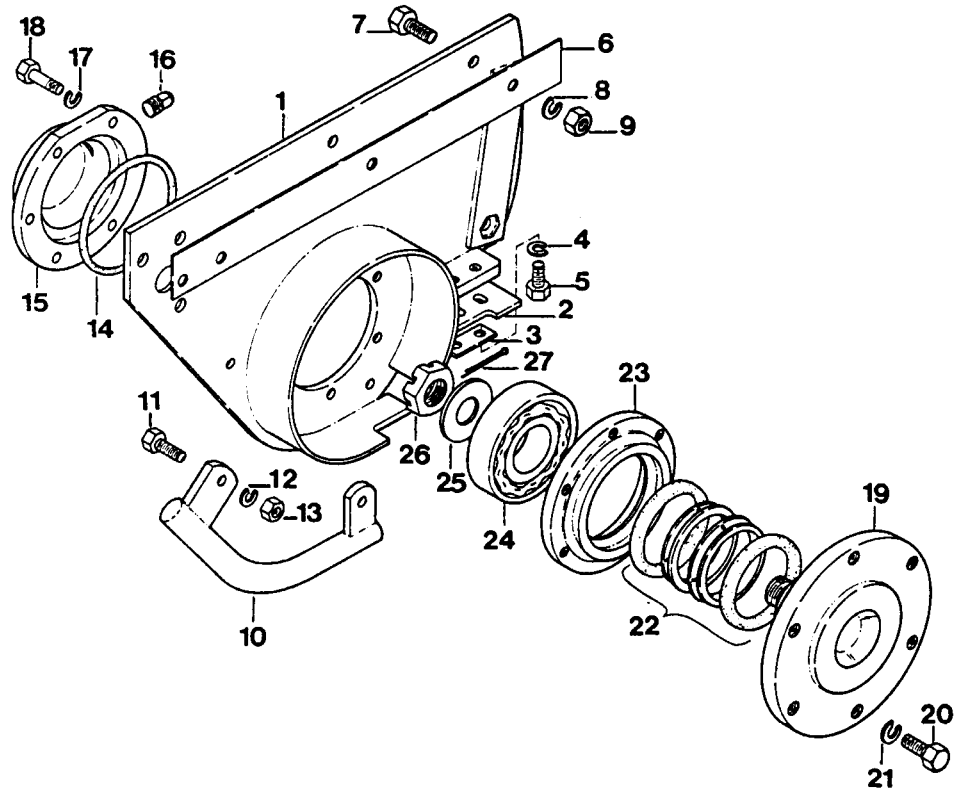
Item	Part No.	Description	Qty.	Item	Part No.	Description	Qty.
	611106	Drive Shaft Assembly - 540 pto std	NLA	}	204057098	DRIVE SHAFT ASSY C/W CLUTCH PLATE 540 x 6 SPLINE - BYPY (REF. HR40)	
	611511	Inner Shaft Assembly					
	611515	Outer Shaft Assembly					
	611108	Drive Shaft Assembly - 540 pto Opt.	NLA	}	204057099	DRIVE SHAFT ASSY C/W CLUTCH PLATE 1000 x 21 SPLINE - BYPY (REF HR40)	
	611513	Inner Shaft Assembly					
	611515	Outer Shaft Assembly					
	611107	Drive Shaft Assembly - 1000 pto Std.	NLA	}	204057099	DRIVE SHAFT ASSY C/W CLUTCH PLATE 1000 x 21 SPLINE - BYPY (REF HR40)	
	611512	Inner Shaft Assembly					
	611515	Outer Shaft Assembly					
	611109	Drive Shaft Assembly - 1000 pto Opt.	NLA	}	204057099	DRIVE SHAFT ASSY C/W CLUTCH PLATE 1000 x 21 SPLINE - BYPY (REF HR40)	
	611514	Inner Shaft Assembly					
	611516	Outer Shaft Assembly					
1	611527	Yoke Assembly - 6 spline	1	}	70394	COVER SET COMPLETE (HARDY SPICER)	
	611528	Yoke Assembly - 21 Spline	1				
2	70363	Lock Pin Kit	2				
5	204011740	Universal Joint	2				
3	611522	Inner Shaft - 560 mm	1				
4	611540	Outer Shaft - standard - 460mm	1				
	611524	Outer Shaft - optional - 535mm	1				
7 & 8 NI	611533	Inner Cover Set 70350 JOINT COVER-INNER (OPTIONAL)	1				
7	70351	Slipper	2				
6, 9 & 10	611534	Outer Cover Set - standard	1				
	611535	Outer Cover Set - optional	1				
6	70572	Joint Cover - OUTER	1				
10	70358	Slipper	2				



Clutch

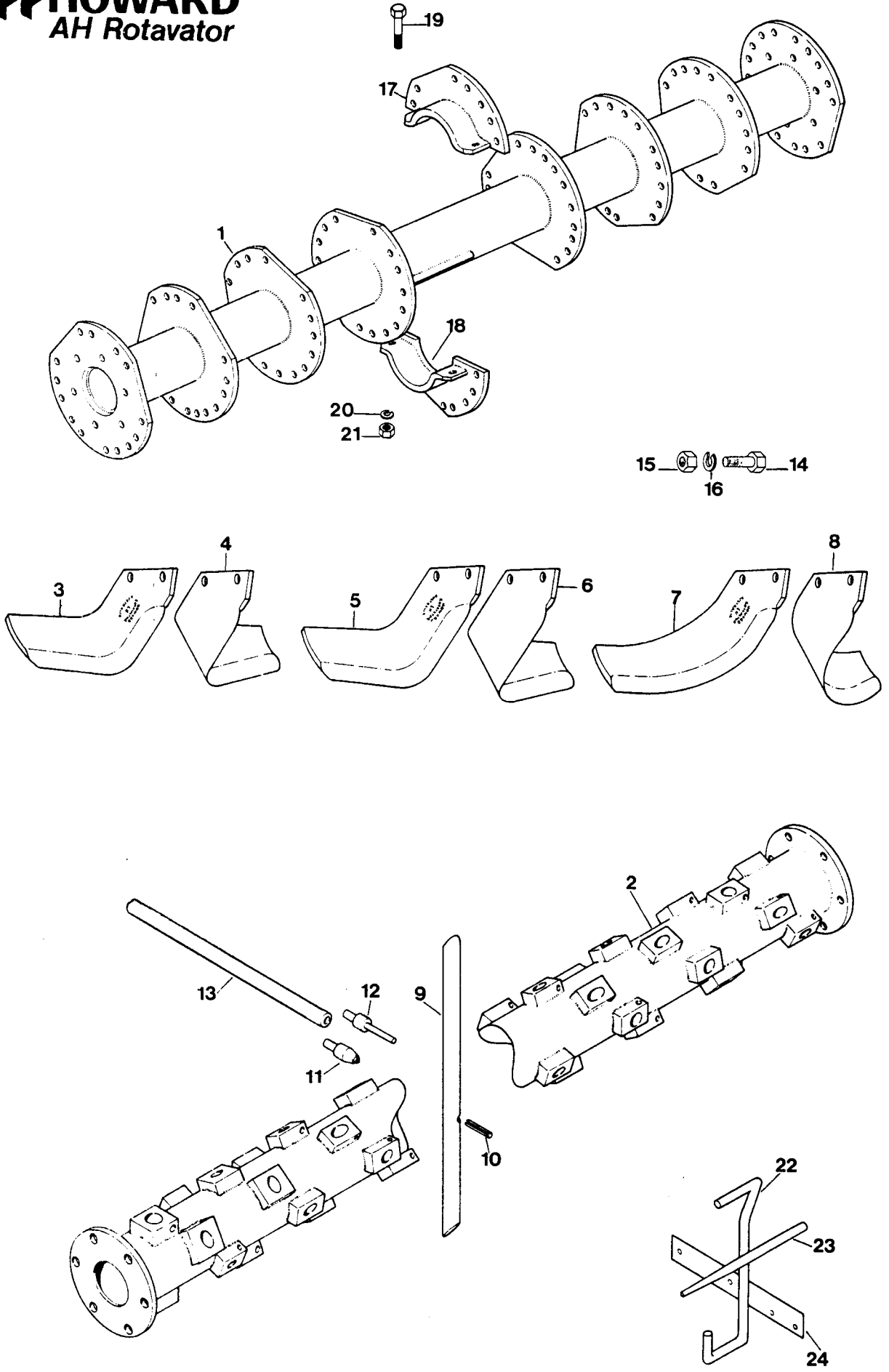
Item	Part No.	Description	Qty.	Item	Part No.	Description	Qty.
		Clutch Assembly	1				
1	53761	Pressure Plate	1				
2	650347	Friction Disc	5				
3	650346	Wearing Disc	3				
4	611102	Disc	1				
5	650345	Sleeve	1				
6	204056927	Clutch Plate	1				
7	610401	Spring	6				
8	209025490	Flat Washer $\frac{1}{2}$ "	6				
9	107108010	Nut $\frac{1}{2}$ " UNF Hex	6				
NI	70678	Transfer - Clutch setting	1				





Stub Axle

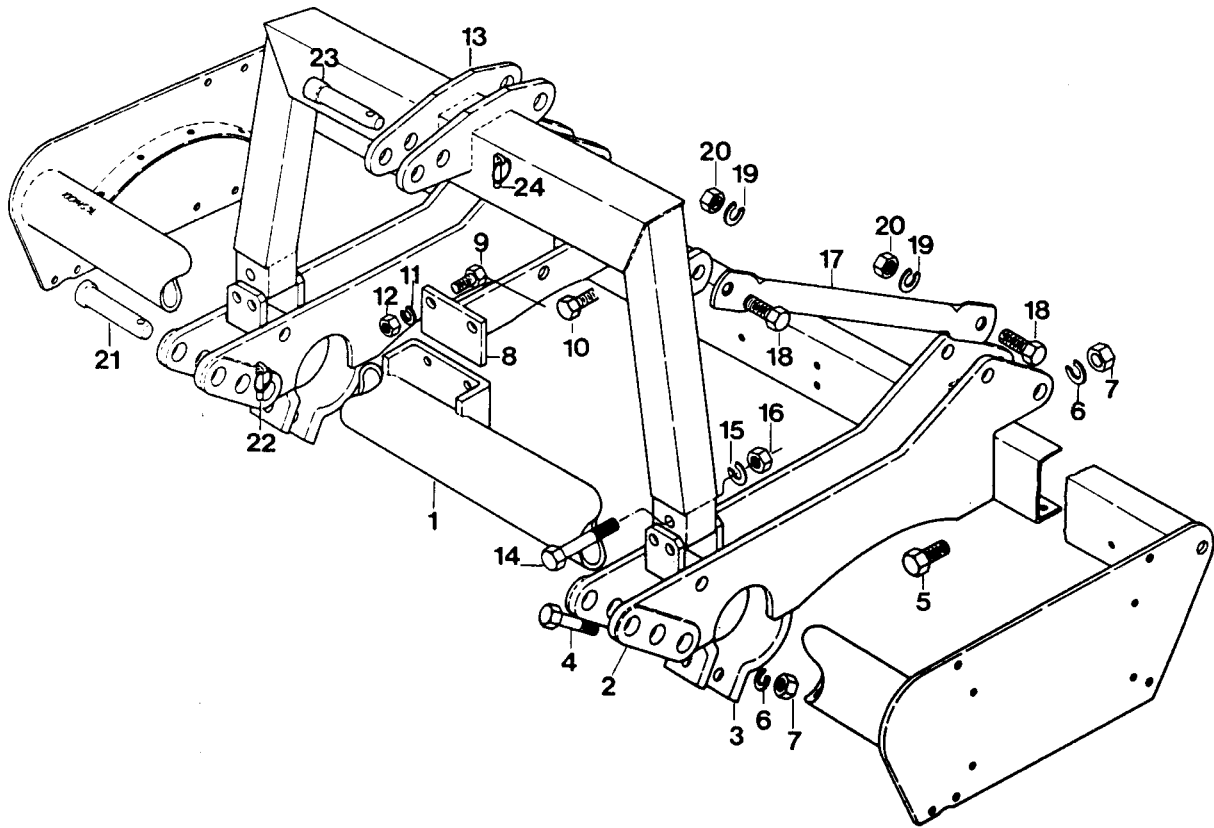
Item	Part No.	Description	Qty.	Item	Part No.	Description	Qty.
1	611222	Plate	1				
2	611178	Weed Cutter	1				
3	611179	Strip	1				
4	308100040	Spring Washer M10	2				
5	301410250	Setscrew M10 x 25 Hex G8.8	2				
6	611229	Shim	As Req.				
7	301412300	Setscrew M12 x 30 Hex G8.8	2				
8	308120040	Spring Washer M12	2				
9	307212010	Nut M12 Hex G8	2				
10	611230	Wear Skid R.H.	1				
11	301410300	Setscrew M10 x 30 Hex G8.8	2				
12	308100040	Spring Washer M10	2				
13	307210010	Nut M10 Hex G8	2				
14	202023951	O Ring 4 $\frac{1}{4}$ " ID x .139"	1				
15	611228	Cover	1				
16	203031180	Plug $\frac{3}{8}$ " BSP	1				
17	308100040	Spring Washer M10	6				
18	301210350	Bolt M10 x 35 Hex G8.8	6				
19	611227	Stub Axle	1				
20	301412300	Setscrew M12 x 30 Hex G8.8	6				
21	308120040	Spring Washer M12	6				
22	610691	Oil Seal Kit	1				
23	611226	Housing	1				
24	255011271	Bearing - 6310	1				
25	48486	Washer	1				
26	2635	Nut	1				
27	208010860	Split Pin M5.0 x 50	1				



Rotors & Blades

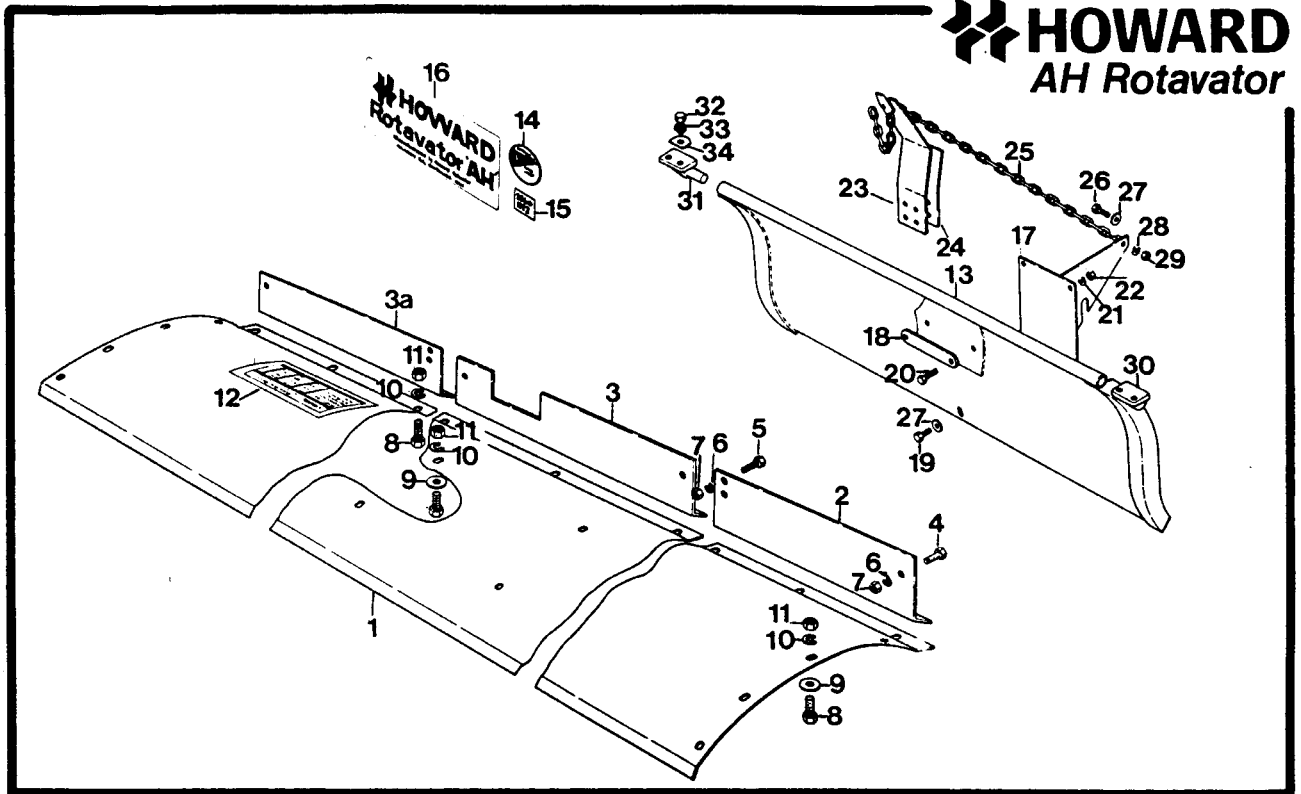


Item	Part No.	Description	Qty.	Item	Part No.	Description	Qty.
Non Ratooning (Standard)							
1	611200	Rotor AH80	1				
	611203	Rotor AH90	1				
	611207	Rotor AH100	1				
	611220	Rotor AH120	1				
Ratooning							
1	611201	Rotor AH80 K	1				
	611204	Rotor AH90 K	1				
	611208	Rotor AH100 K	1				
	611209	Rotor AH120 K	1				
Spike							
2	611862	Rotor AH80	NLA				
	611864	Rotor AH90					
	611233	Rotor AH100					
	611235	Rotor AH120					
Power							
3	9862	Blade L.H. — power 80(24) 90(27) 100(30) 120(36)					
4	9863	Blade R.H. — power 80(24) 90(27) 100(30) 120(36)					
Long Shank							
5	9910	Blade L.H. — long shank 80(24) 90(27) 100(30) 120(36)					
6	9911	Blade R.H. — long shank 80(24) 90(27) 100(30) 120(36)					
Speed							
7	9950	Blade L.H. — speed 80(24) 90(27) 100(30) 120(36)					
8	9951	Blade R.H. — speed 80(24) 90(27) 100(30) 120(36)					
Spike							
9	650633	Spike 80(36) 90(41) 100(45) 120(55)					
10	208015125	Spirol Pin $\frac{1}{2}$ " x $1\frac{3}{4}$ " 80(36) 90(41) 100(45) 120(55)					
	330288	Punch Remover Kit	NLA				
11		330289 Punch					
12		330290 Remover					
13		330291 Bar					
Blade Bolts							
14	9850	Blade Bolt — special 80(96) 90(108) 100(120) 120(144)					
15	67557	Nut — special 80(96) 90(108) 100(120) 120(144)					
16	308160045	Spring Washer $\frac{5}{8}$ " 80(96) 90(108) 100(120) 120(144)					
Slip Flange Kits = 611216							
17	611217	Slip Flange 80(1) 90(2) 100(3) 120(2)					
18	611218	Slip Flange 80(1) 90(2) 100(3) 120(2)					
19	301220750	Bolt M20 x 75 Hex G8.8 80(2) 90(4) 100(6) 120(4)					
20	308200040	Spring Washer M20 80(2) 90(4) 100(6) 120(4)					
21	307220010	Nut M20 Hex G8 80(2) 90(4) 100(6) 120(4)					
Rotor Changeover Kit							
22	610848	Hook	NLA				
23	76864	Shank	NLA				
24	611229	Shim	2				



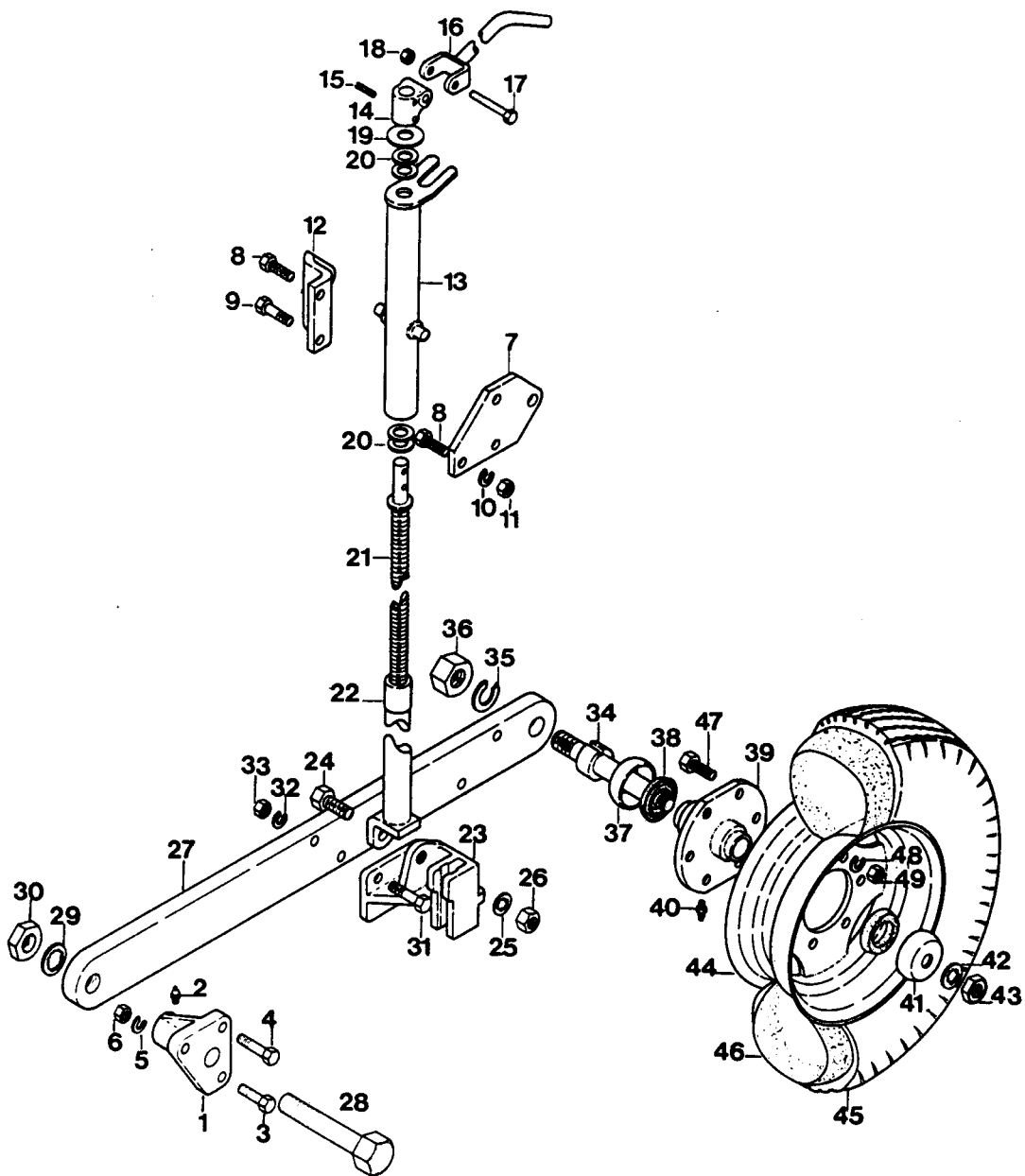
Frame & Mounting Brackets

Item	Part No.	Description	Qty.	Item	Part No.	Description	Qty.
1	611240	Main Frame AH80	1				
	611241	Main Frame AH90	1				
	611242	Main Frame AH100	1				
	611243	Main Frame AH120	1				
2	611290	Clevis Bracket	2				
3	611301	Half Clamp	2				
4	301220750	Bolt M20 x 75 Hex G8.8	4				
5	301420400	Setscrew M20 x 40 Hex G8.8	2				
6	308200040	Spring Washer M20	6				
7	307220010	Nut M20 Hex G8	6				
8	611267	Bracket	1				
9	301216400	Bolt M16x40 Hex.G8.8	2				
10	301416350	Setscrew M16 x 35 Hex G8.8	2				
11	308160040	Spring Washer M16	4				
12	307216010	Nut M16 Hex G8	4				
13	611293	Top Mast	1				
14	301620110	Bolt M20 x 110 Hex G8.8	2				
15	308200040	Spring Washer M20	2				
16	307220010	Nut M20 Hex G8	2				
17	611300	Stay	2				
18	301420450	Setscrew M20 x 45 Hex G8.8	4				
19	308200040	Spring Washer M20	4				
20	307220010	Nut M20 Hex G8	4				
21	611303	Hitch Pin – bottom	2				
22	610661	Cotter Assembly	2				
23	73358	Hitch Pin – top	1				
24	610661	Cotter Assembly	1				



Trailing Boards & Shield

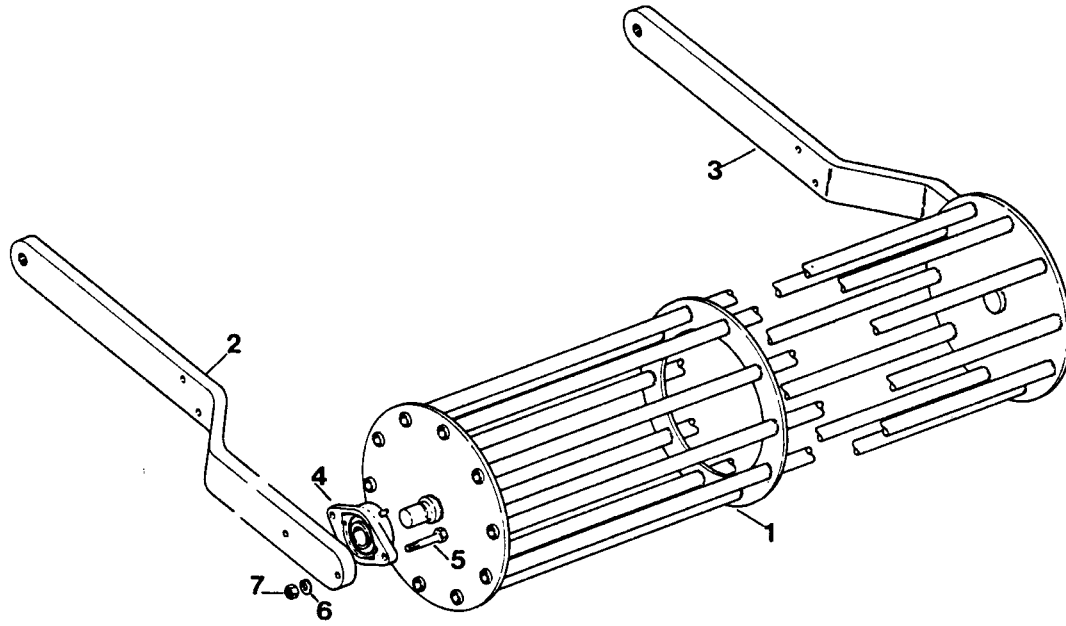
Item	Part No.	Description	Qty.	Item	Part No.	Description	Qty.
1	611256	Shield AH80/AH120 (centre)	1	20	301410300	Setscrew M10 x 30 Hex G8.8	
	611258	Shield AH90	1			AH80, 90 & 100 (4) AH120 (8)	
	611260	Shield AH100	1	21	308100040	Spring Washer M10	
	611261	Side Shield AH120	2			AH80, 90 & 100 (4) AH120 (8)	
2	611262	Support - L.H.		22	307210010	Nut M10 Hex G8	
		AH80(1) AH120(4)				AH80, 90 & 100 (4) AH120 (8)	
	611263	Support - L.H. AH90	1	23	610593	Chain Support	
	611264	Support - L.H. AH100	1			AH80, 90 & 100 (2) AH120 (4)	
3	611265	Support - centre	1	24	610608	Support	
3a	611262	Support - R.H. AH80	1			AH80, 90 & 100 (2) AH120 (4)	
	611274	Support - R.H. AH90	1	25	611283	Chain	
	611275	Support - R.H. AH100	1			AH80, 90 & 100 (2) AH120 (4)	
4	301410250	Setscrew M10 x 25 Hex G8.8		26	301410250	Setscrew M10 x 25 Hex G8.8	
		AH80, 90 & 100 (4) AH120 (5)				AH80, 90 & 100 (4) AH120 (8)	
5	301210350	Setscrew M10 x 35 Hex G8.8		27	308100010	Flat Washer M10	
		AH80, 90 & 100 (4) AH120 (5)				AH80, 90 & 100 (8) AH120 (16)	
6	308100040	Spring Washer M10		28	308100040	Spring Washer M10	
		AH80, 90 & 100 (8) AH120 (10)				AH80, 90 & 100 (4) AH120 (8)	
7	307210010	Nut M10 Hex G8		29	307210010	Nut M10 Hex G8	
		AH80, 90 & 100 (8) AH120 (10)				AH80, 90 & 100 (4) AH120 (8)	
8	301412300	Setscrew M12 x 30 Hex G8.8		30	611287	Hinge L.H.	1
		AH80, 90 & 100 (21) AH120 (35)			611288	Hinge R.H.	1
9	308120010	Flat Washer M12		31	611289	Hinge - centre	
		AH80, 90 & 100 (21) AH120 (35)				AH80, 90 & 100 (1) AH120 (2)	
10	308120040	Spring Washer M12		32	301412300	Setscrew M12 x 30 Hex G8.8	
		AH80, 90 & 100 (21) AH120 (35)				AH80, 90 & 100 (6) AH120 (8)	
11	307212010	Nut M12 Hex G8		33	308120040	Spring Washer M12	
		AH80, 90 & 100 (21) AH120 (35)				AH80, 90 & 100 (6) AH120 (8)	
12	70665	Transfer	1	34	209025080	Taper Washer 1/2"	
13	611266	Trailing Board AH120 centre	1			AH80, 90 & 100 (6) AH120 (8)	
	611270	Trailing Board AH80/AH120	2				
	611271	Trailing Board AH90	2				
	611272	Trailing Board AH100	2				
14	70630	Transfer	1				
15	70656	Transfer	1				
16	70669	Transfer	1				
17	610589	Bracket	2				
	611307	Bracket (centre AH120 only)	2				
18	65647	Stiffener Strip					
		AH80, 90 & 100 (2) AH120 (4)					
19	301410250	Setscrew M10 x 25 Hex G8.8					
		AH80, 90 & 100 (4) AH120 (8)					



Depth Wheels



Item	Part No.	Description	Qty.	Item	Part No.	Description	Qty.
1	610770	Pivot Plate	1				
2	202030860	Grease Nipple	1				
3	301212400	Bolt M12 x 40 Hex G8.8	1				
4	301212500	Bolt M12 x 50 Hex G8.8	2				
5	308120040	Spring Washer M12	3				
6	307212010	Nut M12 Hex G8	3				
7	611315	Trunnion Bracket R.H.	1				
8	301212350	Bolt M12x35 Hex G8.8	2				
9	301212450	Bolt M12x45 Hex G8.8	1				
10	308120040	Spring Washer M12	3				
11	307212010	Nut M12 Hex G8	3				
12	611311	Trunnion Support	1				
13	65657	Outer Tube	1				
14	610775	Block	1				
15	208012070	Grover Pin 1/4" x 1 1/4"	2				
16	611317	Handle	1				
17	301210650	Bolt M10 x 65 Hex G8.8	1				
18	307210010	Nut M10 Hex G8	1				
19	108122410	Flat Washer 3/4"	1				
20	65650	Thrust Washer	4				
21	65654	Screw	1				
22	65651	Inner Tube	1				
23	611312	Clevis Bracket L.H.	1				
	611313	Clevis Bracket R.H.	1				
24	301416400	Setscrew M16 x 40 Hex G8.8	1				
25	308160030	Shakeproof Washer M16 Int.	1				
26	307216010	Nut M16 Hex G8	1				
27	611314	Wheel Arm	1				
28	101216440	Bolt 1" UNC x 5 1/2" Hex H.T.	1				
29	108162630	Shakeproof Washer 1"	1				
30	107216020	Locknut 1" UNF hex	1				
31	301212500	Bolt M12 x 50 Hex G8.8	2				
32	308120040	Spring Washer M12	2				
33	307212010	Nut M12 Hex G8	2				
34	611320	Axle	1				
35	108162640	Spring Washer 1"	1				
36	107116010	Nut 1" UNF Hex	1				
37	610778	Cap - inner	1				
38	79810	Seal	2				
39	611318	Hub	1				
40	202030880	Grease Nipple 8mm x 67 1/2"	1				
41	79809	Cap - outer	1				
42	108122030	Shakeproof Washer 3/4" Int	1				
43	107112020	Locknut 3/4" UNF Hex	1				
* 44	611316+611399	Wheel Rim (SPLIT TYPE)	1+1				
45	209058190	Tyre 5.95 x 10 4 ply	1				
46	209061160	Tube 5.95 x 10	1				
47	301212350	Bolt M12x35 Hex G8.8	6				
48	308120040	Spring Washer M12	6				
49	307212010	Nut M12 Hex G8	6				
* 44	301408155	SETSCREW (SPLIT TYPE)	6				
	307208015	NUT "	6				
	308080045	SPRING WASHER "	6				



Crumble Roller

Item	Part No.	Description	Qty.	Item	Part No.	Description	Qty.
1	611443	Crumble Roller – AH80	1	}	NLA		
	611449	Crumble Roller – AH90	1				
	611451	Crumble Roller – AH100	1				
	611453	Crumble Roller – AH120	1				
	611448	Arm – L.H.	1				
2	611448	Arm – L.H.	1				
3	611458	Arm – R.H.	1				
4	251436212	Bearing Assembly	2				
5	101108200	Bolt $\frac{1}{2}$ " UNF x $2\frac{1}{2}$ " Hex H.T.	4				
6	108081440	Spring Washer $\frac{1}{2}$ "	4				
7	107108010	Nut $\frac{1}{2}$ " UNF Hex	4				



Rotavator

SINGLE SPEED

HR40A

PARTS LIST

Supplement to 77054 2/79

General Information

A	B	C	D
611109	14	↖	Drive Shaft Assembly
611723	16	300 ↔	Housing
611730	16	0.08 ↓	Gasket
301416355X2	16		Bolt

Explanation

Column A. Part no. Column B. Page no. Column C. Remarks Column D. Description

Special Notes

◀	Left Hand	301 212 355	Quantity ONE
▶	Right Hand	301 212 355X6	Quantity SIX
▲	Upper	74466#	Quantity AS REQUIRED
▼	Lower	=	Only For
↔	Width	┌	Central
↔	Length	└	Offset
↔	From Serial No.	⊙	Front
↔	Up to Serial No.	⊙	Rear
↻	R.P.M.	✦	Number of Teeth
↖	Alternative	∴	Thickness

HR40A SINGLE SPEED
GEARBOX

ALTERNATIVE SPROCKETS

611791
611792

