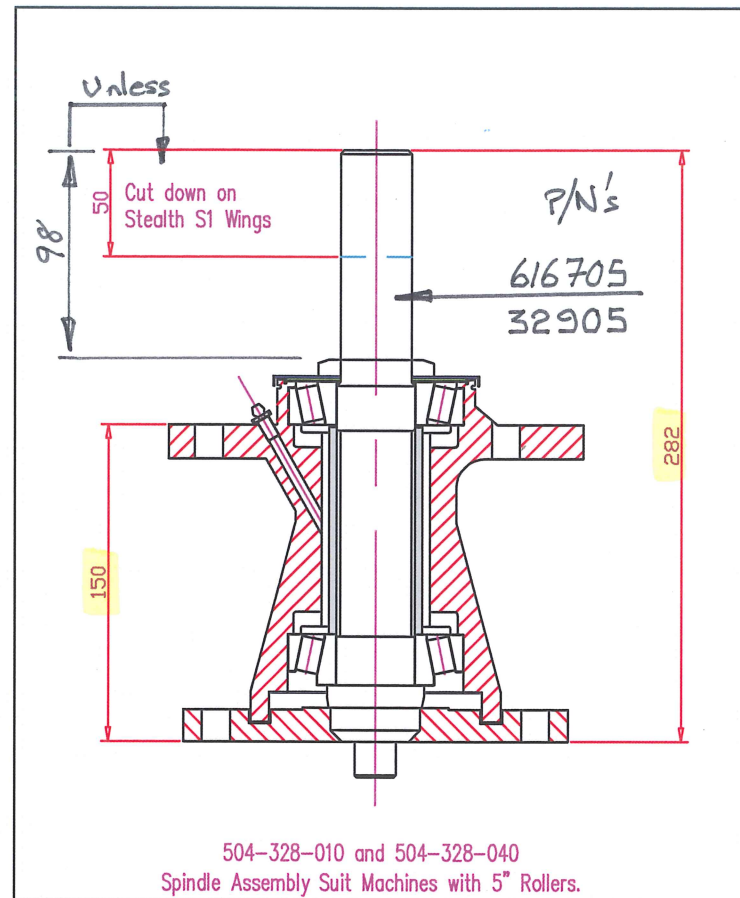


504-328-013 and 504-328-042
Spindle Assembly Suit Machines with 6" Rollers.

AKA 32801E50 and 32804E50 stealth S2 +



504-328-010 and 504-328-040
Spindle Assembly Suit Machines with 5" Rollers.

AKA 32801 and 32804 Early procuts & stealths

COPYRIGHT

COPYRIGHT

AUTOCAD LT 98

PART NO		COPYRIGHT		REV	ECN	DATE	SCALE	N.T.S.
							DATE	19/01/2011
				DETAILS			DRAWN	CC
				TOLERANCES			Type 5a and 5b Spindle Assemblies	
		This drawing is the property of trimax Industries Limited and must not be copied, reproduced or communicated to any person without written permission		UNLESS OTHERWISE STATED Decimal +/- 0.1mm Others +/- 1.0mm Angular +/- 0°.30"			DWG NO	
ITEM	QTY	PART NUMBER	DRAWING NO	SHT 1 OF 1				