



# Sidewinder MKII

## PARTS LIST

### General Information

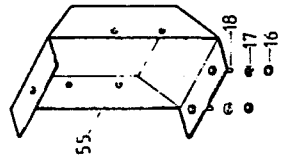
Serial No. Prefix SW.....

Serial number is located on front RH side of frame.

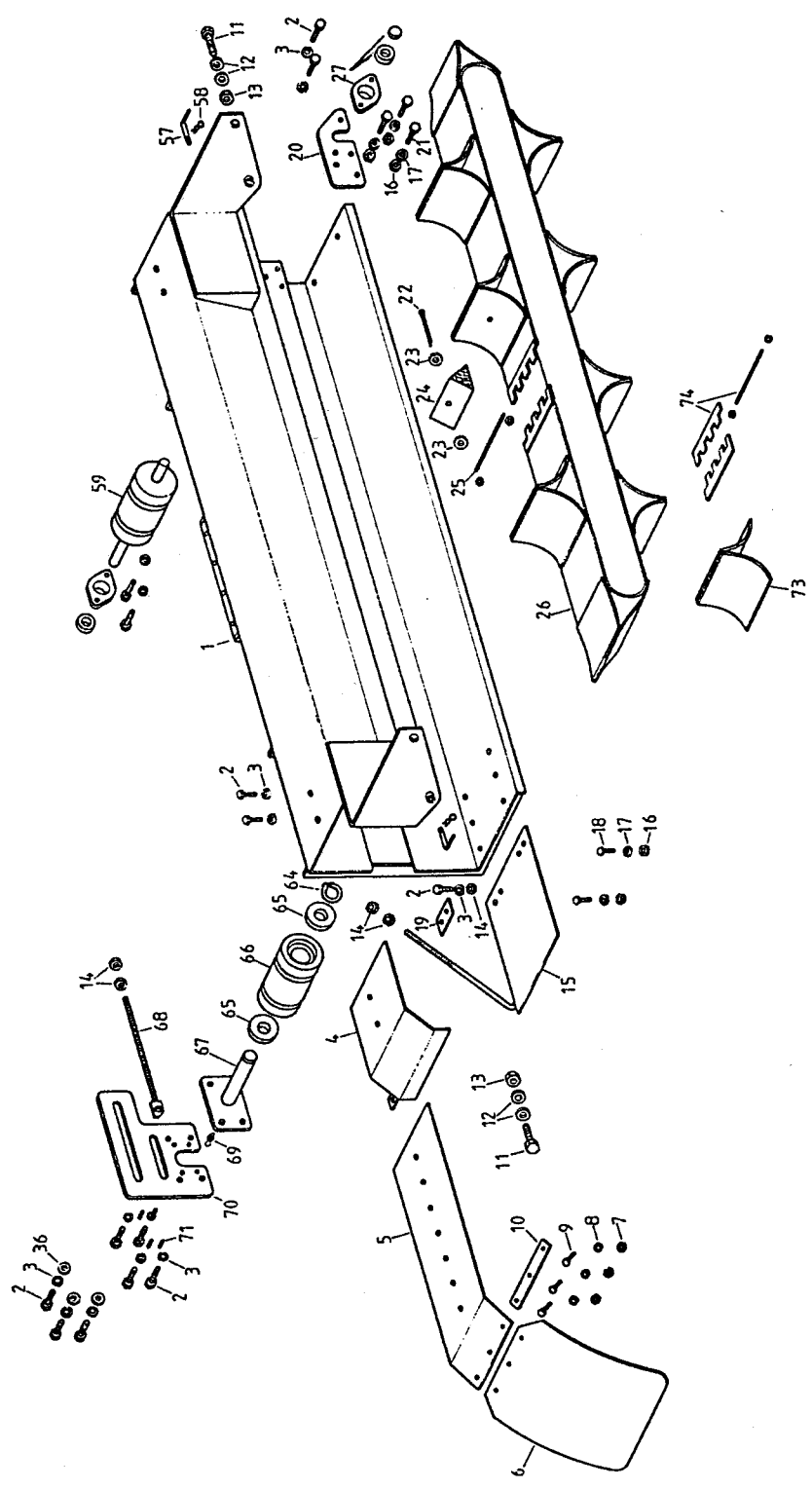
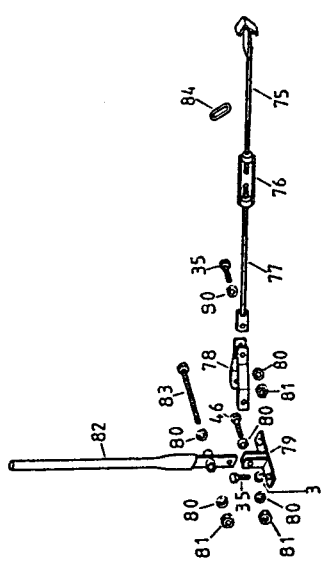
### Special Notes :

- |     |                    |          |                         |
|-----|--------------------|----------|-------------------------|
| ▲   | Left Hand          | ◁        | Alternative             |
| ▼   | Right Hand         | *        | Change since last print |
| ▲   | Upper              | 306357x6 | Quantity                |
| ▼   | Lower              | 306357#  | Quantity as required    |
| ▲ ▼ | Width              | ≡        | Only for                |
| ▲ ▼ | Length             | ⌋        | Central                 |
| ↑   | From Serial Number | ⌋        | Offset                  |
| ↓   | To Serial Number   | Z        | Number of teeth         |
| ↺   | rpm                |          |                         |

Catalogue no.	Issue	Page Affected
77100-4/90 (mechanical)	1/94	New Issue
77100 (hydraulic)	1/94	New Issue



HYDRAULIC DRIVE components  
not illustrated - Refer to Part List



SIDEWINDER MKII (Hydraulic Drive version)

8/92

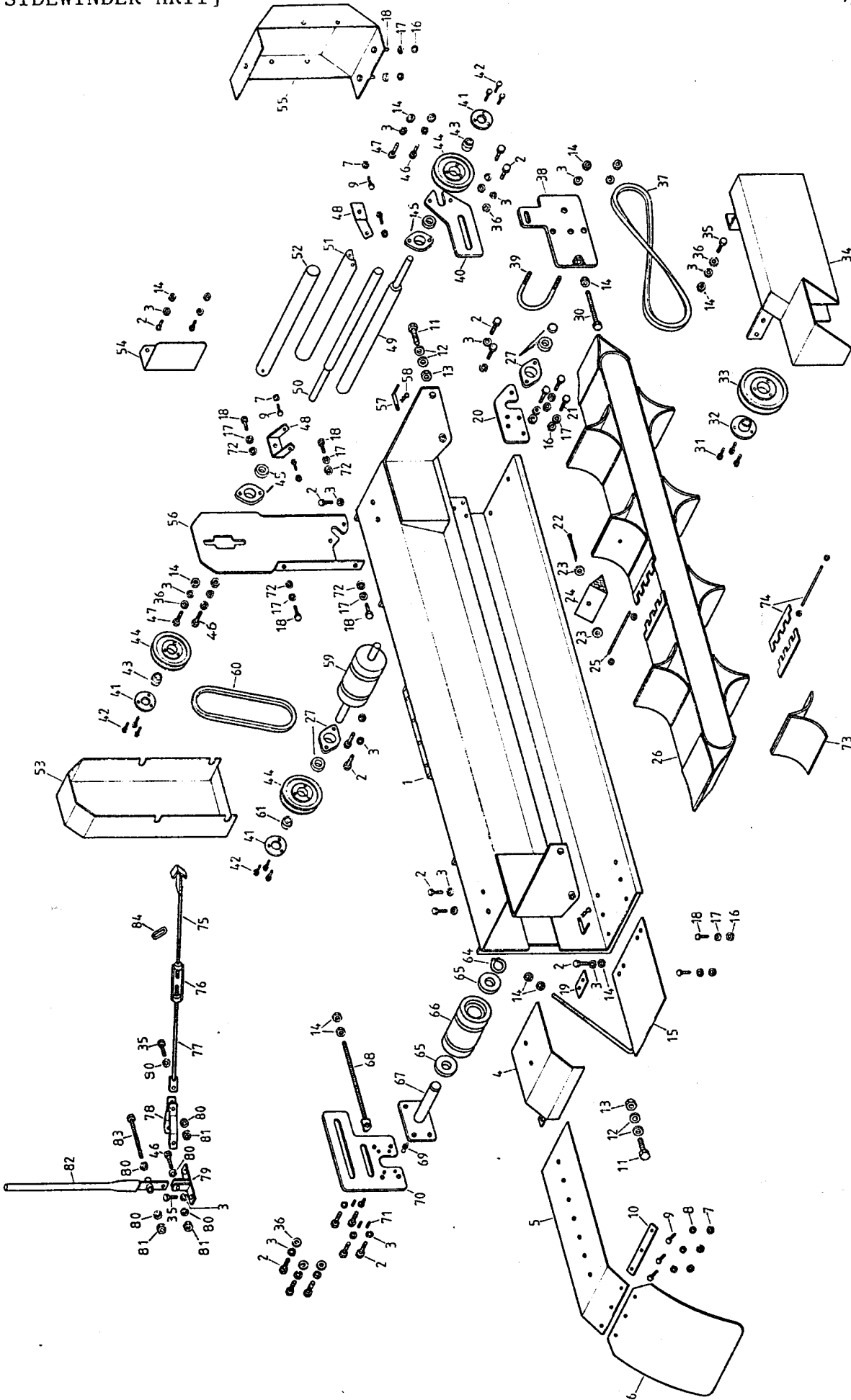
Item	Part No.	Description	Qty	Item	Part No.	Description	Qty
1	T40105	Body SW145	1				
	T40106	" SW175	1				
	T40107	" SW205	1				
	T40108	" SW235	1				
2	301412255	Bolt M12 x 25	#				
3	308120045	S Washer M12	#				
4	T40130	Endplate	1				
5	T40131	Flap Plate	1				
6	T40132	Flap	1				
7	107204175	Nyloc nut	#				
8	308060015	F Washer M6	#				
9	127804123	Bolt	#				
10	T40134	Clamp Plate	1				
11	301216605	Bolt M16x60	2				
12	308160065	F Washer M16	4				
13	307216015	Nut M16	2				
14	307212015	Nut M12	#				
15	T40135	Long Throw	1				
16	307210015	Nut M10	#				
17	308100045	S Washer	#				
18	301210305	Bolt M10x30	#				
19	T40136	Adaptor	1				
20	T40140	Brg Plate	1				
21	301410255	Bolt M10x25	3				
22	208010860	Split Pin	#				
23	308050065	F Washer M5	#				
24	T40122	Stiffener	#				
25		See Item 74					
26	T40115	Belt SW145	1				
	T40116	" SW175	1				
	T40117	" SW205	1				
	T40118	" SW235	1				
NI	T4225/235	Plain Belt-no lugs					
NI	T4225	Plain Belt 1m					
		for fixings see Item 73					
27	251039144	Brg, Hsg & Cap	1				
55	T40152	Cover	1				
57	T40157	Pin	2				
58	208014030	R Clip	2				
59	T40158H	Roller	1				
64	208002400	Circlip	1				
65	255090208	Brg	2				
66	T40159	Roller	1				
67	T40160	Spindle & Mtg	1				
68	T40161	Adjuster	1				
69	202030030	Grease Nipple	1				
70	T40162	Adjust Plate	1				
71	312410165	Grub Screw	4				
72	308100065	F Washer	#				
73	T40101	Lug - 7,9,11,12.					
		Fixings: 7 per					
NI	344405165	Bolt M5x16	#				
NI	616701	Washer	#				
NI	307205055	Nut M5	#				
74	T40100	Joiner Kit	#				
75	T40170	Attach Hook	1				
76	T40172	Turnbuckle	1				
77	T40171	Rod LH Thread	1				
78	T40173	Link	1				
79	T40174	Bracket	1				
80	308120015	Flat WasherM12	6				
81	307212055	Nyloc NutM12	3				
82	T40175	Handle	1				
83	301612105	Bolt M12x100	1				
84	T40176	Retainer	1				

Hydraulic Drive Components

NI	T40156H	Mounting Frame	1
NI	301210405	Bolt M10 x 40	4
NI	307210015	Nut M10	4
NI	308100045	S. Washer M10	4
NI	T401550	Torque Arm	1
NI	301212655	Bolt M12 x 65	2
NI	T401551	Spring	2
NI	308120065	Washer M12 Flat	2
NI	307212015	Nut M12	2
NI	616421	Bearing (Roller support)	1
NI	301412455	Bolt M12 x 25	2
NI	307212015	Nut M12	2
NI	308120045	S Washer M12	2
NI	T447100	Hydraulic Motor	1
NI	125206065	Setscrew	4
NI	T401552L	Hose Assy - long	2
NI	T44737	Nipple (Hose/Motor)	2
NI	T401552S	Hose Assy - short	2
NI	T447181	Adjuster Valve	1
NI	T447180	Tee	2
NI	T40149H	Guard	1

NOTE:

\* BELT WIDTH 150 mm



## PARTS LIST [SIDEWINDER MKII \*]

4/91

ITEM	PART NO.	DESCRIPTION	QTY	ITEM	PART NO.	DESCRIPTION	QTY
1	T40105	Body SW145	1	51	T40166	Guard - Outer	1
	T40106	" SW175	1	52	T40167	Guard - Inner	1
	T40107	" SW205	1	53	T40149	Guard	1
	T40108	" SW235	1	54	T40151	Blank Plate	1
2	301412255	Bolt	18	55	T40152	Cover	1
3	308120045	S Washer M12	28	56	T40156	Brg Plate	1
4	T40130	Endplate	1	57	T40157	Pin	2
5	T40131	Flap Plate	1	58	208014030	R Clip	2
6	T40132	Flap	1	59	T40158	Roller	1
7	107204175	Nyloc nut	7	60	204006650	V Belt A39	1
8	308060015	F Washer M6	3	61	T6003	Bush	2
9	127804123	Bolt	7	62	-		
10	T40134	Clamp Plate	1	63	-		
11	301216605	Bolt M16x60	2	64	208002400	Circlip	1
12	308160065	F Washer M16	4	65	255090208	Brg	2
13	307216015	Nut M16	2	66	T40159	Roller	1
14	307212015	Nut M12	15	67	T40160	Spindle & Mtg	1
15	T40135	Long Throw	1	68	T40161	Adjuster	1
16	307210015	Nut M10	7	69	202030030	Grease Nipple	1
17	308100045	S Washer	11	70	T40162	Adjust Plate	1
18	301210305	Bolt M10x30	8	71	312410165	Grub Screw	4
19	T40136	Adaptor	1	72	308100065	F Washer	4
20	T40140	Brg Plate	1	73	T40101	Lug - 7,9,11,12	
21	301410255	Bolt M10x25	3			Fixings: 7 per Lug	
22	208010860	Split Pin	As Req.	NI	344405165	Bolt M5x16	As Req.
23	308050065	F Washer M5	As Req.	NI	616701	Washer	As Req.
24	T40122	Stiffener	As Req.	NI	307205055	Nut M5	As Req.
25		See Item 74		74	T40100	Joiner Kit	1
26	T40115	Belt SW145	1	75	T40170	Attach Hook	1
	T40116	" SW175	1	76	T40172	Turnbuckle	1
	T40117	" SW205	1	77	T40171	Rod LH Thread	1
	T40118	" SW235	1	78	T40173	Link	1
NI	T4225/235	Plain Belt-no lugs		79	T40174	Bracket	1
	T4225	Plain Belt 1m		80	308120015	Flat Washer M12	6
		for Lug & Fixings see Item 73		81	307212055	Nyloc Nut M12	3
27	251039144	Brg, Hsg & Cap	2	82	T40175	Handle	1
28	-			83	301612105	Bolt M12x100	1
29	-			84	T40176	Retainer	1
30	T40145	Adjuster Bolt	1				
31	301408255	Retainer Bolt	3				
32	T40146	Bush	1				
33	616628	Pulley 140A	1				
34	T40150	Guard	1				
35	301412355	Bolt M12x35	1				
36	308120065	F Washer	8				
37	204006520	Belt B66	1				
	20400608A	Belt B77	1				
38	T40153	Mtg Plate	1				
39	T44631	U Bolt	1				
40	T40155	Brg Plate	1				
41	T6040	Retainer	3				
42	301406165	Bolt	9				
43	T6000	Bush	2				
44	T36020	Pulley 112A	3				
45	250939181	Bearing	2				
46	301212455	Bolt M12x45	2				
47	301212505	Bolt M12x50	2				
48	T40163	Bracket	2				
49	T40164	Shaft - Outer	1				
50	T40165	Shaft - Inner	1				

\* NOTE: Belt width on MKII is 150mm.