

**NOTE:**

Parts Listings included refer to the Trimax **Warlord**. This is the equivalent New Zealand model which is distributed within Australia as the **Howard MULCHMASTA**.

Transmission is basically the same as the MULCHMASTA MK 2, however there are some body changes.

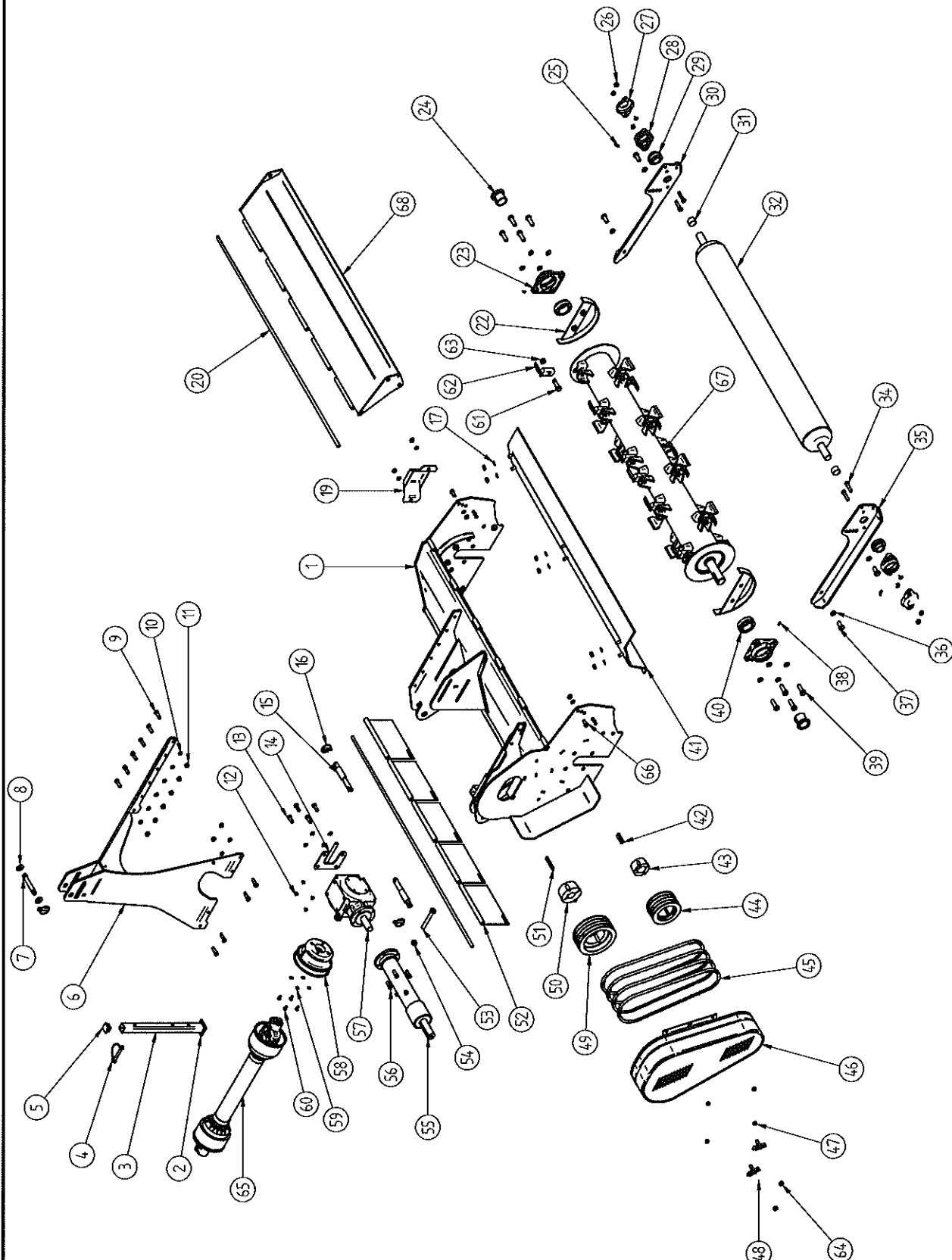
# ***Mulchmasta Warlord S2***



**HOWARD AUSTRALIA PTY LTD**

Private Bag 5  
SEVEN HILLS NSW 1730  
AUSTRALIA

Telephone: (02) 9674 2966  
Fax: (02) 9674 6263



DRAWN	m. bowen
DATE	19/05/2008
SHEET	1 OF 2
FIG	A3
APPROVED	
702-145-000	


**145 WIDE SPARES LISTING**  
**WARLORD SERIES 2 MOWER**

**COPYRIGHT**  
 This drawing is property of  
 Trax Mowing Systems  
 and must not be copied, reproduced or communicated  
 to any person without written permission.

ITEM	DRAWING NUMBER	DESCRIPTION	QTY
1	502-000-022	BODY PAN FOR 145 - 615 OFFSET	1
2	410-000-039	FOOT AT FRONT STAND	1
3	410-000-038	LEG FOR FRONT STAND	1
4	406-346-410	SHAFT PIN WITH CLIP RETAINER	1
5	209-480-661	NYLON PLUG FOR RHS_40x40x4	1
6	417-000-459	HEADSTOCK WELDED ASSY	1
7	419-301-150	LINKAGE PIN TOP LINK	1
8	308-200-064	WASHER FLAT HEAVY M20	2
9	301-212-403	BOLT_8.8M12x40	10
12	209-900-012	NYLON PLUG FOR M12 THREADED HOLE	4
13	301-212-353	BOLT_8.8M12x35	4
14	417-000-428	G/BOX SLIDE ADJ. WELDED ASSY.	1
15	419-300-900	PIN DUAL CAT. MOUNTING LOWER	2
16	203-300-700	LINCH PIN DIAMETER 11mm ( 7/16")	3
17	308-120-043	WASHER SPRING M12	24
19	410-460-302	GUARD AT ROTOR BEARING	1
20	417-000-184	HINGE PIN FOR FRONT & REAR FLAPS 145	1
22	417-480-331	ROTOR RING LOWER HALF WELDED ASSY	2
23	401-021-220	HOUSING 210 4. HOLE	2
24	401-021-230	TAPER SLEEVE FOR 210 BEARING DIA. 45	2
25	208-442-620	GREASE NIPPLE UNF.25x67deg	2
26	307-212-013	NUT CLASS 8.8 M12	28
27	410-464-072	BEARING CAP FOR FL207 HOUSING	2
28	401-020-800	FLANGED HOUSING 207 FOR BEARING 1-3/8"	2
29	401-020-700	BEARING 1-3/8" TO FIT 207 HOUSING	2
30	412-000-128	TRAILING ARM RH WELDED ASSY.	1
31	402-464-062	LOCATING SLEEVE ON 1375 DIA STUB SHAFT	2
32	414-480-450	ROLLER WELDED ASSY FOR 145	1
34	301-212-553	BOLT_8.8M12x55	4
35	412-000-429	TRAILING ARM LH WELDED ASSY.	1
36	308-160-043	WASHER_SP_16Z	12
37	301-216-353	BOLT_8.8M16x35	4
38	208-442-600	GREASE NIPPLE UNF 1/4" SHORT	2
39	301-216-503	BOLT_8.8M16x50	8
40	401-021-210	BEARING 210 DGB SPHERICAL OUTER TAPERED INNER	2
41	417-000-495	LINER (BOLTED) FOR BODY PAN 145	1
42	205-425-920	KEY 9/16" x 7/16"	1
43	402-060-730	TAPERLOK BUSH FOR SHAFT DIA. 45	1
44	403-361-180	PULLEY TAPERLOC 48 x DIA. 150	1
45	404-040-512	DRIVE COG BELT	4
46	410-480-440	BELT COVER WELDED ASSY	1
47	209-446-360	RUBBER ANTI-RATTLE BUTTON	4

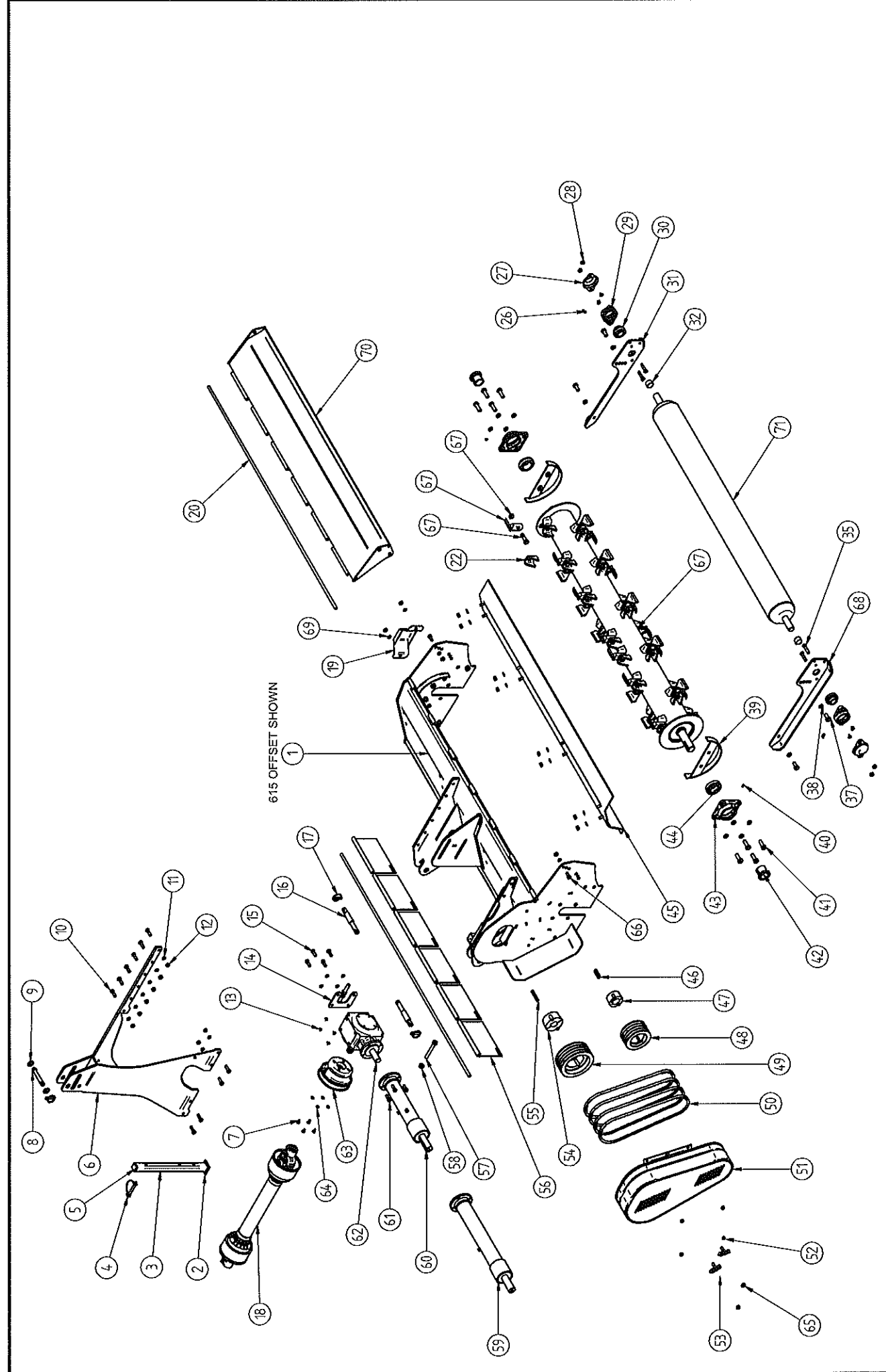
ITEM	DRAWING NUMBER	DESCRIPTION	QTY
48	WL-08-02	LATCH AT BELT COVER	2
49	403-361-270	PULLEY TAPERLOC 200 x 4 SPB	1
50	402-060-710	TAPERLOK BUSH FOR SHAFT DIA. 40	1
51	405-425-910	KEY 7/16" x 5/16"	1
52	417-480-320	FRONT FLAP WELDED ASSY	5
53	305-616-123	SET_SCREW_8.8M16x120	1
54	307-216-013	NUT CLASS 8.8 M16	3
55	405-201-770	G/BOX EXT. SHAFT 615 FITTED ASSY.	1
56	303-212-305	SOCKET_SCREW_LAP_12.9M12x30	4
57	405-200-720	GEARBOX - TV311H	1
58	410-440-400	GUARD CONE FOR TV311 GEARBOX	1
59	308-080-013	WASHER FLAT M8	4
60	301-208-163	BOLT_8.8M08x16	4
61	305-216-805	BOLT FOR WARLORD / MULCHMASTA 95 FLAIL	20
62	411-160-200	FLAIL (SPRING STEEL) FOR WARLORD / MULCHMASTA 95	20
63	307-216-053	NUT NYLOC M16	20
64	307-212-053	NUT NYLOC M12	2
65	406-340-840	DRIVESHAFT T60 COMPLETE	1
66	301-212-303	BOLT_8.8M12x30	8
67	415-480-550	ROTOR FOR 145 WELDED ASSY.	1
68	417-480-251	REAR FLAP FOR 145 WELDED ASSY.	1

**COPYRIGHT**

This drawing is property of  
 Trimax  
 The New Zealand Limited  
 and must not be copied, reproduced or communicated  
 to any person without written permission.

**145 WIDE SPARES LISTING**  
**WARLORD SERIES 2 MOWER**

DRAWN	m.bowen
DATE	19/05/2008
SHEET	2 OF 2
APPROVED	
FIG	
REV	
702-145-000	



DRAWN	m.powen
DATE	22/06/08
SHEET	1 OF 2
APPROVED	LOWE
FIGURE	702-175-000

**175 WIDE SPARES LISTING**  
**WARLORD SERIES 2 MOWER**

**COPYRIGHT**  
 This drawing is property of  
 Trimax Mowing Systems  
 New Zealand Limited  
 and must not be copied, reproduced or communicated  
 in any form without written permission.

ITEM	DRAWING NUMBER	DESCRIPTION	QTY
1	502-000-023	BODY PAN FOR 175 - 615 OFFSET	1
2	413-000-039	FOOT AT FRONT STAND	1
3	413-000-038	LEG FOR FRONT STAND	1
4	406-346-410	SHAFT PIN WITH CLIP RETAINER	1
5	209-480-661	NYLON PLUG FOR RHS. 40x40x4	1
6	417-000-459	HEADSTOCK WELDED ASSY	1
7	301-208-163	BOLT .88M16x16	4
8	419-301-150	LINKAGE PIN TOP LINK	1
9	308-200-064	WASHER FLAT HEAVY M20	2
10	301-212-403	BOLT .88M12x40	10
13	209-900-012	NYLON PLUG FOR M12 THREADED HOLE	4
14	417-000-428	G/BOX SIDE ADJ. WELDED ASSY.	1
15	301-212-353	BOLT .88M12x35	4
16	419-300-900	PIN DUAL CAT. MOUNTING LOWER	2
17	203-300-700	LINCH PIN DIAMETER 11mm ( 7/16")	3
18	406-340-840	DRIVESHAFT T60 COMPLETE	1
19	410-460-302	GUARD AT ROTOR BEARING	1
20	417-000-186	HINGE PIN FOR FRONT & REAR FLAPS 175	1
22	411-480-610	LUG FOR FLAIL	1
26	208-442-620	GREASE NIPPLE UNF 25x67deg.	2
27	410-464-072	BEARING CAP FOR FL207 HOUSING	2
28	307-212-013	NUT CLASS 8.8 M12	28
29	401-020-800	FLANGED HOUSING 207 FOR BEARING 1-3/8"	2
30	401-020-700	BEARING 1-3/8" TO FIT 207 HOUSING	2
31	412-000-128	TRAILING ARM RH WELDED ASSY.	1
32	402-464-062	LOCATING SLEEVE ON 1375 DIA STUD SHAFT	2
35	301-212-553	BOLT .88M12x55	4
37	301-216-353	BOLT .88M16x35	4
38	308-160-043	WASHER_SP_16Z	12
39	417-480-331	ROTOR RING LOWER HALF WELDED ASSY	2
40	208-442-600	GREASE NIPPLE UNF 1/4" SHORT	2
41	301-216-503	BOLT .88M16x50	8
42	401-021-230	TAPER SLEEVE FOR 210 BEARING DIA. 45	2
43	401-021-220	HOUSING 210 4 HOLE	2
44	401-021-210	BEARING 210 DGB SPHERICAL OUTER TAPERED INNER	2
45	417-000-496	LINER (BOLTED) FOR BODY PAN 175	1
46	205-425-920	KEY 9/16" x 7/16"	1
47	402-060-730	TAPERLOK BUSH FOR SHAFT DIA. 45	1
48	403-361-180	PULLEY TAPERLOC 48 x DIA. 150	1
49	403-361-270	PULLEY TAPERLOC 200 x 4 SPB	1
50	404-040-512	DRIVE COG BELT	4
51	410-480-440	BELT COVER WELDED ASSY	1

ITEM	DRAWING NUMBER	DESCRIPTION	QTY
52	209-446-360	RUBBER ANTI-RATTLE BUTTON	4
53	WL-08-02	LATCH AT BELT COVER	2
54	402-060-710	TAPERLOK BUSH FOR SHAFT DIA. 40	1
55	405-425-910	KEY 7/16" x 5/16"	1
56	417-480-320	FRONT FLAP WELDED ASSY	6
57	305-616-123	SET_SCREW .88M16x120	1
58	307-216-013	NUT CLASS 8.8 M16	3
59	405-201-780	G/BOX EXT. SHAFT 780 FITTED ASSY.	1
60	405-201-770	G/BOX EXT. SHAFT 615 FITTED ASSY.	1
61	303-212-305	SOCKET_SCREW_CAP_12.9M12x30	3
62	405-200-720	GEARBOX - TV31TH	1
63	410-440-400	GUARD CONE FOR TV311 GEARBOX	1
64	308-080-013	WASHER FLAT M8	4
65	307-212-053	NUT NYLOC M12	2
66	301-212-303	BOLT .88M12x30	10
67	503-000-002	ROTOR FITTED ASSY. FOR 175	1
68	412-000-129	TRAILING ARM LH WELDED ASSY.	1
69	308-120-043	WASHER SPRING M12	24
70	417-480-261	REAR FLAP ASSY. 175	1
71	414-480-460	ROLLER WELDED ASSY FOR 175	1

**BODY SHELL OPTIONS**

1	502-000-024	BODY PAN FOR 175 - 780 OFFSET	1
---	-------------	-------------------------------	---

**COPYRIGHT**

This drawing is property of  
 Trimax Mowing Systems  
 and must not be copied, reproduced or communicated  
 to any person without written permission.

**175 WIDE SPARES LISTING  
 WARLORD SERIES 2 MOWER**

**DRAWN**

DATE

22/06/08

**SHEET 2 OF 2**

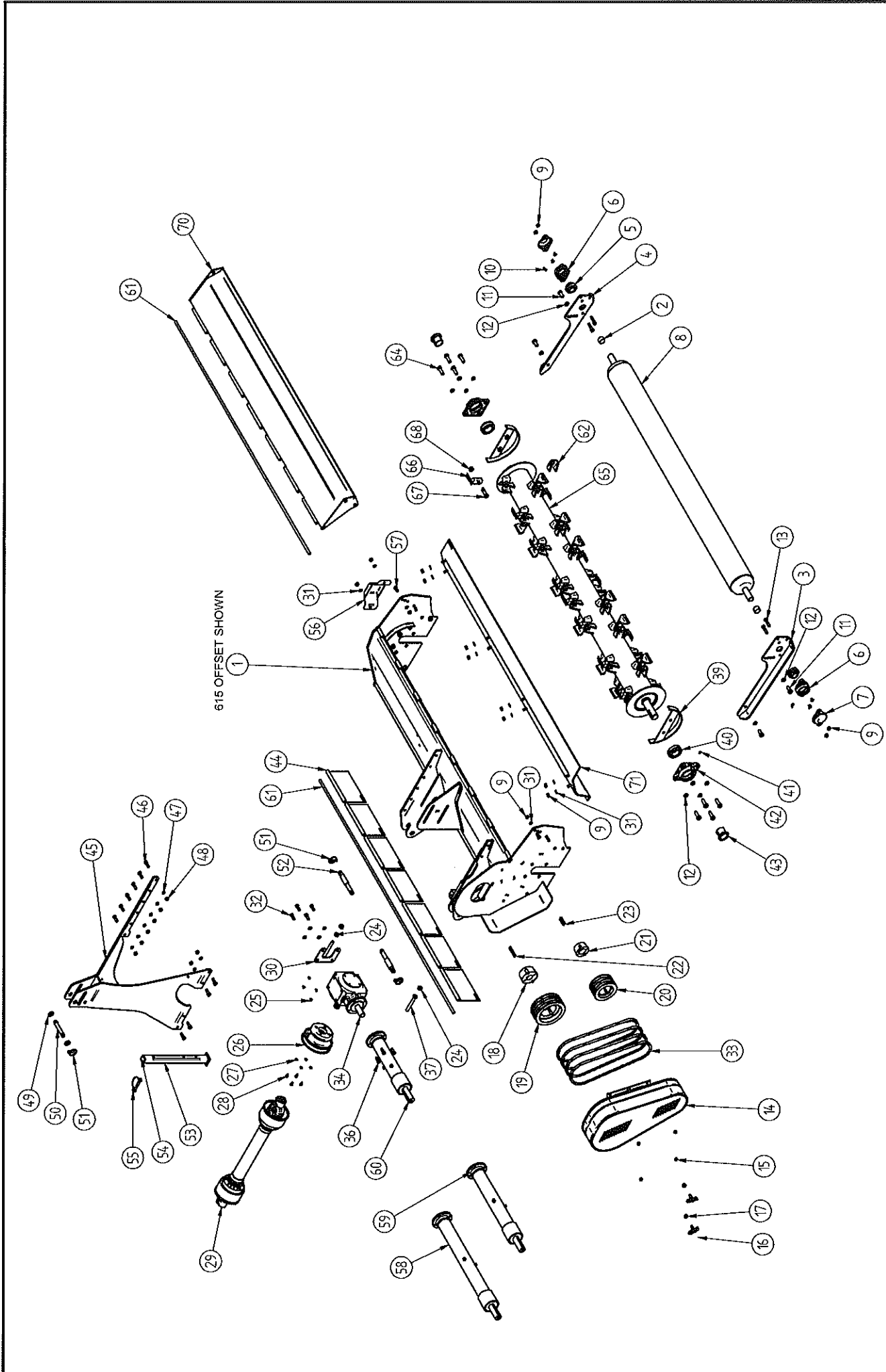
APPROVED

DWG

702-175-000

A3

FORM



DRAWN	Jason
DATE	19/05/2008
SHEET 1 OF 2	1/3
APPROVED	Free
	702-205-000

**205 WIDE SPARES LISTING**  
**WARLORD SERIES 2 MOWER**

**COPYRIGHT**  
 This drawing is property of  
 Trimax Mowing Systems  
 New Zealand Limited  
 and must not be copied, reproduced or communicated  
 to any person without written permission


ITEM	DRAWING NUMBER	DESCRIPTION	QTY
1	502-000-025	BODY PAN FOR 205 - 615 OFFSET	1
2	402-464-062	LOCATING SLEEVE ON 1375 DIA STUB SHAFT	2
3	412-000-429	TRAILING ARM LH WELDED ASSY.	1
4	412-000-428	TRAILING ARM RH WELDED ASSY.	1
5	401-020-700	BEARING 1-3/8" TO FIT 207 HOUSING	2
6	401-020-800	FLANGED HOUSING 207 FOR BEARING 1-3/8"	2
7	410-464-072	BEARING CAP FOR FL207 HOUSING	2
8	414-480-470	ROLLER WELDED ASSY FOR 205	1
9	307-212-013	NUIT CLASS 8.8 M12	30
10	208-442-620	GREASE NIPPLE UNF 25x67deg.	2
11	301-216-353	BOLT .88M16x35	4
12	308-160-043	WASHER SP 16Z	12
13	301-212-553	BOLT .88M12x55	4
14	410-480-440	BELT COVER WELDED ASSY	1
15	209-446-360	RUBBER ANTI-RATTLE BUTTON	4
16	WL-08-02	LATCH AT BELT COVER	2
17	307-212-053	NUIT NYLOC M12	2
18	402-060-710	TAPERLOCK BUSH FOR SHAFT DIA. 40	1
19	403-361-270	PULLEY TAPERLOC 200 x 4 SP8	1
20	403-361-180	PULLEY TAPERLOC 48 x DIA. 150	1
21	402-060-730	TAPERLOCK BUSH FOR SHAFT DIA. 45	1
22	405-425-910	KEY 7/16" x 5/16"	1
23	205-425-920	KEY 9/16" x 7/16"	1
24	307-216-013	NUIT CLASS 8.8 M16	3
25	209-900-012	NYLON PLUG FOR M12 THREADED HOLE	4
26	410-440-400	GUARD EONE FOR TV311 GEARBOX	1
27	308-080-013	WASHER FLAT M8	4
28	301-208-163	BOLT .88M08x16	4
29	406-340-840	DRIVESHAFT T60 COMPLETE	1
30	417-000-428	G/BOX SLIDE ADJ. WELDED ASSY.	1
31	308-120-043	WASHER SPRING M12	26
32	301-212-353	BOLT .88M12x35	4
33	404-040-512	DRIVE COG BELT	4
34	405-200-720	GEARBOX - TV311H	1
36	303-212-305	SOCKET SCREW CAP 12.9M12x30	4
37	305-616-123	SET SCREW .88M16x120	1
39	417-480-331	ROTOR RING LOWER HALF WELDED ASSY	2
40	401-021-210	BEARING 210 IGB SPHERICAL OUTER TAPERED INNER	2
41	208-442-600	GREASE NIPPLE UNF 1/4" SHORT	2
42	401-021-220	HOUSING 210 4 HOLE	2
43	401-021-230	TAPER SLEEVE FOR 210 BEARING DIA. 45	2
44	417-480-320	FRONT FLAP WELDED ASSY	7

ITEM	DRAWING NUMBER	DESCRIPTION	QTY
45	417-000-459	HEADSTOCK WELDED ASSY	1
46	301-212-403	BOLT .88M12x40	10
49	308-200-064	WASHER FLAT HEAVY M20	2
50	419-301-150	LINKAGE PIN TOP LINK	1
51	203-300-700	LINCH PIN DIAMETER 11mm ( 7/16")	3
52	419-300-900	PIN DUAL CAT. MOUNTING LOWER	2
53	413-480-660	FRONT STAND WELDED ASSY	1
54	209-480-661	NYLON PLUG FOR RHS. 40x40x4	1
55	406-346-410	SHAFT PIN WITH CLIP RETAINER	1
56	410-460-302	GUARD AT ROTOR BEARING	1
57	301-212-303	BOLT .88M12x30	2
58	405-201-900	G/BOX EXT. SHAFT 950 FITTED ASSY.	1
59	405-201-780	G/BOX EXT. SHAFT 780 FITTED ASSY.	1
60	405-201-770	G/BOX EXT. SHAFT 615 FITTED ASSY.	1
61	417-000-188	HINGE PIN FOR FRONT & REAR FLAPS 205	2
62	411-480-610	LUG FOR FLAIL	48
64	301-216-503	BOLT .88M16x50	8
65	415-480-570	ROTOR FOR 205 WELDED ASSY.	1
66	411-160-200	FLAIL (SPRING STEEL) FOR WARLORD / MULCHMASTA 95	28
67	305-216-805	BOLT FOR WARLORD / MULCHMASTA 95 FLAIL	28
68	307-216-053	NUIT NYLOC M16	28
70	417-480-271	REAR FLAP FOR 205 WELDED ASSY.	1
71	417-000-433	LINER 205 WELDED ASSY.	1

**BODY SHELL OPTIONS**

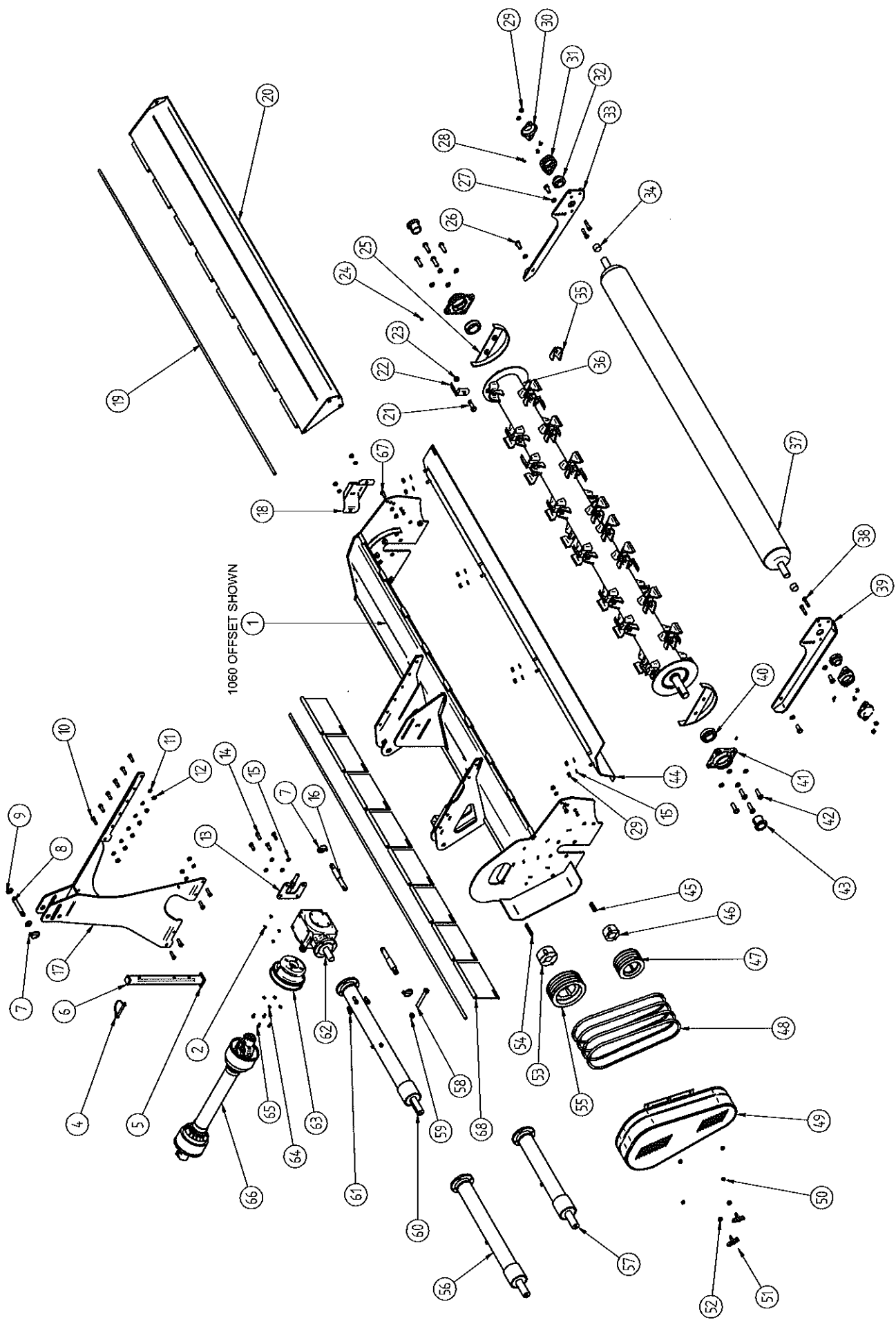
1	502-000-026	BODY PAN FOR 205 - 780 OFFSET	1
1	502-000-027	BODY PAN FOR 205 - 950 OFFSET	1

**COPYRIGHT**

This drawing is property of  
 Trimax Mowing Systems  
 New Zealand Limited  
 and must not be copied, reproduced or communicated  
 to any person without written permission

**205 WIDE SPARES LISTING**  
**WARLORD SERIES 2 MOWER**

<b>DRAWN</b>	Jason
<b>DATE</b>	19/05/2008
<b>APPROVED</b>	JMG
<b>SHEET 2 OF 2</b>	A3
<b>702-205-000</b>	160



DRAWN	Jason
DATE	20/06/08
SHEET	1 OF 2
APPROVED	
702-235-000	

**235 WIDE SPARES LISTING**  
**WARLORD SERIES 2 MOWER**

**COPYRIGHT**  
 This drawing is property of  
 Truax Mowers  
 New Zealand Limited  
 and must not be copied, reproduced or communicated  
 to any person without written permission.

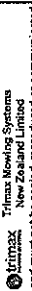
ITEM	DRAWING NUMBER	DESCRIPTION	QTY
1	502-000-031	BODY PAN FOR 235 - 1060 OFFSET	1
2	209-900-072	NYLON PLUG FOR M12 THREADED HOLE	4
4	406-346-410	SHAFT PIN WITH CLIP RETAINER	1
5	413-480-560	FRONT STAND WELDED ASSY	1
6	209-480-561	NYLON PLUG FOR RHS_40x40x4	1
7	203-300-700	LINCH PIN DIAMETER 11mm ( 7/16")	3
8	419-301-150	LINKAGE PIN TOP LINK	1
9	308-200-064	WASHER FLAT HEAVY M20	2
10	301-212-403	BOLT_8.8M12x40	10
13	417-000-428	G/BOX SLIDE ADJ. WELDED ASSY.	1
14	301-212-353	BOLT_8.8M12x35	4
15	308-120-043	WASHER SPRING M12	26
16	419-300-500	PIN DUAL CAT. MOUNTING LOWER	2
17	417-000-459	HEADSTOCK WELDED ASSY	1
18	410-460-302	GUARD AT ROTOR BEARING	1
19	417-000-190	HINGE PIN FOR FRONT & REAR FLAPS 235	1
20	417-480-281	REAR FLAP ASSY. 235	1
21	305-216-805	BOLT FOR WARLORD / MULCHMASTA 95 FLAIL	32
22	411-160-200	FLAIL (SPRING STEEL FOR WARLORD / MULCHMASTA 95	32
23	307-216-053	NUT NYLOC M16	32
24	208-442-600	GREASE NIPPLE UNF 1/4" SHORT	2
25	417-480-331	ROTOR RING LOWER HALF WELDED ASSY	2
26	301-216-353	BOLT_8.8M16x35	4
27	308-160-043	WASHER_SP_16Z	12
28	208-442-620	GREASE NIPPLE UNF 25x67deg.	2
29	307-212-013	NUT CLASS 8.8 M12	30
30	410-464-072	BEARING CAP FOR FL207 HOUSING	2
31	401-020-800	FLANGED HOUSING 207 FOR BEARING 1-3/8"	2
32	401-020-700	BEARING 1-3/8" TO FIT 207 HOUSING	2
33	412-000-128	TRAILING ARM RH WELDED ASSY.	1
34	402-464-062	LOCATING SLEEVE ON 1375 DIA STUB SHAFT	2
35	411-480-610	LUG FOR FLAIL	1
36	415-480-580	ROTOR FOR 235 WELDED ASSY.	1
37	414-480-480	ROLLER WELDED ASSY FOR 235	1
38	301-212-553	BOLT_8.8M12x55	4
39	412-000-129	TRAILING ARM LH WELDED ASSY.	1
40	401-021-210	BEARING 210 DGB SPHERICAL OUTER TAPERED INNER	2
41	401-021-220	HOUSING 210 4. HOLE	2
42	301-216-503	BOLT_8.8M16x50	8
43	401-021-230	TAPER SLEEVE FOR 210 BEARING DIA. 45	2
44	417-000-494	LINER 235 WELDED ASSY.	1
45	205-425-920	KEY 9/16" x 7/16"	1

ITEM	DRAWING NUMBER	DESCRIPTION	QTY
46	402-060-730	TAPERLOK BUSH FOR SHAFT DIA. 45	1
47	403-361-180	PULLEY TAPERLOC 48 x DIA. 150	1
48	404-040-512	DRIVE COG BELT	4
49	410-480-440	BELT COVER WELDED ASSY	1
50	209-446-360	RUBBER ANTI-RATTLE BUTTON	4
51	WL-08-02	LATCH AT BELT COVER	2
52	307-212-053	NUT NYLOC M12	2
53	402-060-710	TAPERLOK BUSH FOR SHAFT DIA. 40	1
54	405-425-910	KEY 7/16" x 5/16"	1
55	403-361-270	PULLEY TAPERLOC 200 x 4 SPB	1
56	405-201-900	G/BOX EXT. SHAFT 950 FITTED ASSY.	1
57	405-201-780	G/BOX EXT. SHAFT 780 FITTED ASSY.	1
58	305-616-123	SET SCREW_8.8M16x120	1
59	307-216-018	NUT CLASS 8.8 M16	3
60	405-201-920	G/BOX EXT. SHAFT 1060 FITTED ASSY.	1
61	303-212-305	SOCKET SCREW_CAP_12.9M12x30	4
62	405-200-720	GEARBOX - TV311H	1
63	410-440-400	GUARD CONE FOR TV311 GEARBOX	1
64	308-080-013	WASHER FLAT M8	4
65	301-208-163	BOLT_8.8M08x16	4
66	406-340-840	DRIVESHAFT T60 COMPLETE	1
67	301-212-303	BOLT_8.8M12x30	2
68	417-480-320	FRONT FLAP WELDED ASSY	8

BODY SHELL OPTIONS

1	502-000-030	BODY PAN FOR 235 - 950 OFFSET	1
1	502-000-029	BODY PAN FOR 235 - 780 OFFSET	1

**COPYRIGHT**

This drawing is property of  
 Trimax Mowing Systems  
 New Zealand Limited  
 and must not be copied, reproduced or communicated  
 to any person without written permission

**235 WIDE SPARES LISTING**  
**WARLORD SERIES 2 MOWER**

DRAWN	Jason
DATE	20/06/08
SHEET	2 OF 2
APPROVED BY	
702-235-000	