



Mulchmasta MM

PARTS LIST

General Information

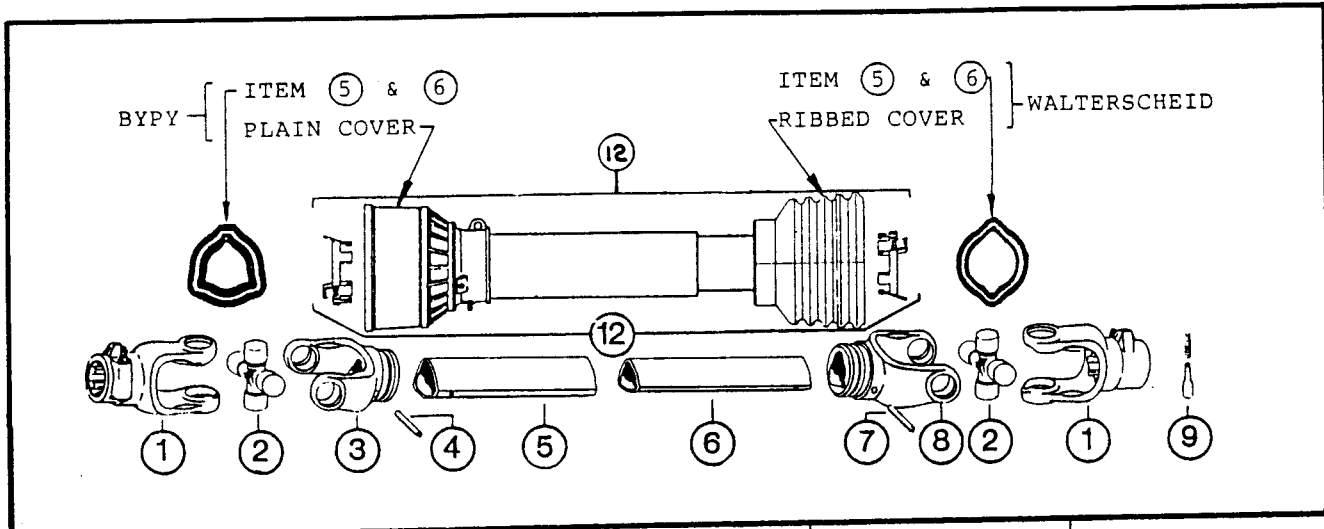
Serial No. Prefix MM.....

Serial number is located on front RH side of frame.

Special Notes:

- ◀ Left Hand
 - ▶ Right Hand
 - ▲ Upper
 - ▼ Lower
 - ◀▶ Width
 - ▶▶ Length
 - From serial number
 - ↑ Up to serial number
 - ↻ rpm
- Λ Alternative
 - * Change since last print
 - 306357x6 Quantity
 - 306357# Quantity as required
 - # Only for
 - ||| Central
 - Offset
 - Z Number of teeth

Catalogue no.	Issue	Page Affected
77087	5/90	New Issue



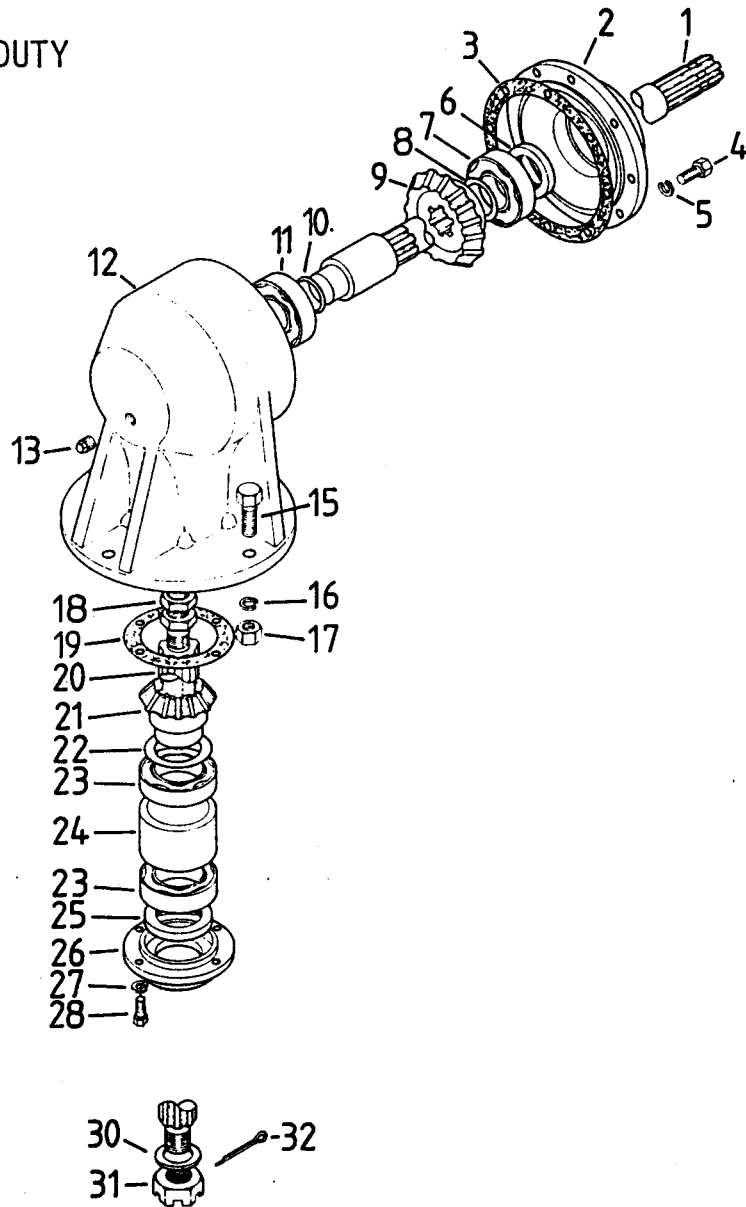
MACHINE		EZEEMOW		MOWCRAFT (STD) *		MOWCRAFT (HD)		MULCHMASTA	
SHAFT		616339		616443		616444		616444	
ITEM	PART	BYPY 102	W'SCHEID W2100	BYPY 105	W'SCHEID W2300	BYPY 106	W'SCHEID W2400	BYPY 106	W'SCHEID W2400
1)	END YOKE	204051790	10.10.00	78228	21.10.00	204051080 20405108A	204047770	204051080 20405108A	204047770
2)	CROSS JOURNAL	204056610	10.01.00	78229	21.00.00	204056380	204046830	204056380	204046830
3)	OUTER TUBE YOKE	204052015 c/w 3,4,5	10.49.00	78234	21.12.00	204051060	35.14.00 204047901	204051060	35.14.00
4)	OUTER ROLL PIN		64.04.01	78235 208012715	61.05.04	208089370	61.05.08	208089370	61.05.08
5)	OUTER DRIVE TUBE		75.12.00	78233	75.15.00	204054080	75.35.00	204054080	75.35.00
6)	INNER DRIVE TUBE	204052016 c/w 6,7,8	75.06.00	78231	75.11.00	204054090	75.25.00	204054090	75.25.00
7)	INNER ROLL PIN		64.04.01	78232 208012715	61.05.04	208089240	61.05.08	208089240	61.05.08
8)	INNER TUBE YOKE		10.48.00	78230	21.11.00	204051070	35.13.00 204047902	204051070	35.13.00
9)	LOCK PIN KIT	204056290	204012850	204056290	204012850	204056290	204012850	204056290	204012850
12)	COVER SET COMPLETE	204055051	85-000-1000	78236	85-100-1000	204055020	82-158-1000	204055020	82-158-1000

* NOTE: Some larger Mowcraft fitted with HD MOWCRAFT Drive Shaft.

Check for series on cross journal (item 2)
 BYPY 102 series has 2 embossed on cross
 BYPY 105 series has 5 embossed on cross
 BYPY 106 series has 6 embossed on cross
 WALTERSHIELD has cross journal part number embossed on cross

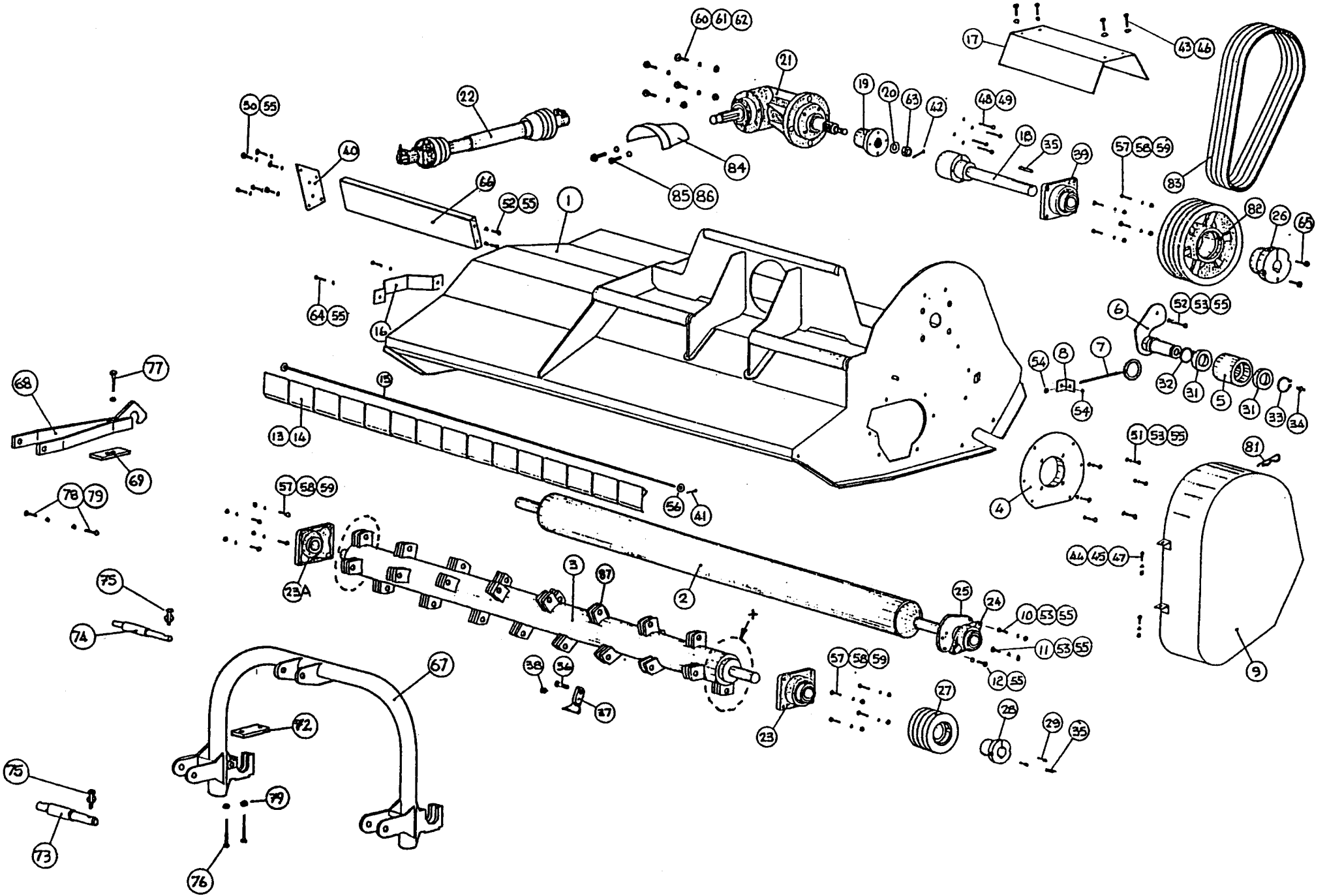
+ 20405108A — PINCH BOLT YOKE

MULCHMASTA
MOWCRAFT HEAVY DUTY



Gearbox - MULCHMASTA, MOWCRAFT MC255 & HD MODELS.
- P/No 78062 GEARBOX ASSY. LF17A

Item	Part No.	Description	Qty.	Item	Part No.	Description	Qty.
1	78102	Input Shaft	1	18	78106	Locknut M30	2
2	78115	Input Housing	1	19	78111	Gasket	1
3	78113	Gasket	1	20	78107	Spindle	1
4	301208225	Bolt	4	21	78103	Pinion	1
5	308080045	Spring Washer	4	22	78104	Shim	1
6	265640081	Oil Seal	1	23	255090221	Bearing	2
7	254090231	Bearing	1	24	78105	Spacer Ring	1
8	78114	Shim	1	25	266850101	Oil Seal	1
9	78112	Crownwheel	1	26	78110	Spindle Housing	1
10	78101	Shim	1	27	308100045	Spring Washer	4
11	253580211	Bearing	1	28	301210255	Bolt	4
12	78100	Gearcase	1	29			
13	203031180	Plug	1	30	78108	Washer	1
N1	203032080	Breather	1	31	78109	Castle Nut	1
15	101212205	Bolt	4	32	208016490	Split Pin	1
16	108122045	Spring Washer	4	N1	8.6.7.00161	Breather	1
17	107112015	Nut	4				



MULCHMASTA BODY

REFER NOTES	ITEM	PART NO.	DESCRIPTION	QTY	NOTES
(A)	1	616523	Body MM155	1	(A)
(A)		616500	Body MM185	1	On later machines rotors have flanged ends as shown. For these add '/A' to the Part no. on items 1, 3 & 4. Eg. 616504/A. Commences serial No. MM300.
(A)		616501	Body MM215	1	
	2	616403	Roller MM155	1	
		616404	Roller MM185	1	
		616405	Roller MM215	1	On machines from S/No. MM382 the rotor tube is Ø141 (replacing Ø127), and body end plates are different. The standard spares rotor of Ø127 fits both, but a Ø141 rotor will only fit machines S/No. MM382 and on.
(A)	3	616524	Rotor MM155	1	
(A)		616504	Rotor MM185	1	the rotor tube is Ø141 (replacing Ø127), and body end plates are different. The standard spares rotor of Ø127 fits both, but a Ø141 rotor will only fit machines S/No. MM382 and on.
(A)		616505	Rotor MM215	1	
(A)	4	616532	Plate	2	the rotor tube is Ø141 (replacing Ø127), and body end plates are different. The standard spares rotor of Ø127 fits both, but a Ø141 rotor will only fit machines S/No. MM382 and on.
(B)	5	616506	Pulley	1	
(B)	6	616411	Plate	1	the rotor tube is Ø141 (replacing Ø127), and body end plates are different. The standard spares rotor of Ø127 fits both, but a Ø141 rotor will only fit machines S/No. MM382 and on.
	7	616412	Rod	1	
	8	616413	Bracket	1	the rotor tube is Ø141 (replacing Ø127), and body end plates are different. The standard spares rotor of Ø127 fits both, but a Ø141 rotor will only fit machines S/No. MM382 and on.
	9	616414	Guard	1	
	10	301212655	Bolt	2	the rotor tube is Ø141 (replacing Ø127), and body end plates are different. The standard spares rotor of Ø127 fits both, but a Ø141 rotor will only fit machines S/No. MM382 and on.
	11	301212505	Bolt	2	
	12	301412305	Setscrew	2	the rotor tube is Ø141 (replacing Ø127), and body end plates are different. The standard spares rotor of Ø127 fits both, but a Ø141 rotor will only fit machines S/No. MM382 and on.
	13	616510	Flap MM155/14, MM185/17, MM215/20	2	
	14	616511	Flap-Narrow(MM155 only)	1	the rotor tube is Ø141 (replacing Ø127), and body end plates are different. The standard spares rotor of Ø127 fits both, but a Ø141 rotor will only fit machines S/No. MM382 and on.
	15	616512	Bar MM155	1	
		616525	Bar MM185	1	the rotor tube is Ø141 (replacing Ø127), and body end plates are different. The standard spares rotor of Ø127 fits both, but a Ø141 rotor will only fit machines S/No. MM382 and on.
		616526	Bar MM215	1	
	16	616415	Guard	1	(B)
	17	616413	Guard	1	Later style item 6 manufactured from 50 x 16 bar in lieu of profiled plate.
(C)	18	616514	J/Shaft Std = 440mm	1	
(C)		616514/56	J/Shaft MM185 = 560mm	1	Item 5 P/No. 616506/A
(C)		616514/72	J/Shaft MM215 = 720mm	1	
(C)		616514/86	J/Shaft MM255 = 865mm	1	Item 6 P/No. 616411/A
	19	616515	Coupling	1	
	20	616530	Washer	1	Item 31 P/No. 253072197
	21	78062	Gearbox Assy	1	
	22	616444	Drive Shaft Assy	1	Item 32 P/No. _____
23	23A	616516	Bearing Assy -45mm	1	
	24	616421	Bearing Assy	2	Item 33 P/No. 208002370
(A)	25	616448	Plate-Roller Adjustment	2	
	26	616447	Bush	1	Later square style P/No: 616411/A
	27	616445	Pulley	1	
	28	616430	Bush	2	616420 BRG ASSY-38mm 1
	29	106106105	Capscrew	3	
	30	204006490	V Belt	4	(C)
(B)	31	254080188	Bearing	2	
(B)	32	208002400	Circlip	1	Check Jackshaft length and also note Mulchmasta fitted with LF17 Gearbox.
(B)	33	208002390	Circlip	1	
	34	202030060	Nipple	1	Check Jackshaft length and also note Mulchmasta fitted with LF17 Gearbox.
	35	616427	Key	1	
	36	616520	Pin Kit MM155/24, MM185/28, MM215/32		Check Jackshaft length and also note Mulchmasta fitted with LF17 Gearbox.
	37	616521	Flail-Gamma MM155/24 MM185/28, MM215/32		
		T16023	Flail-'Y' MM155/48 MM185/56 MM215/64		Check Jackshaft length and also note Mulchmasta fitted with LF17 Gearbox.
	38	107109015	Nut	As Req	
	39	616420	Bearing Assy	1	Check Jackshaft length and also note Mulchmasta fitted with LF17 Gearbox.
	40	616522	Plate	1	
	41	208016350	Pin	1	Check Jackshaft length and also note Mulchmasta fitted with LF17 Gearbox.
	42	208010530	Pin	1	

SERVICE BULLETIN 105

Rev A 11/10 Page 1 of 1



MULCHMASTA Mk1 Flail Pin Kit Part No. 616520



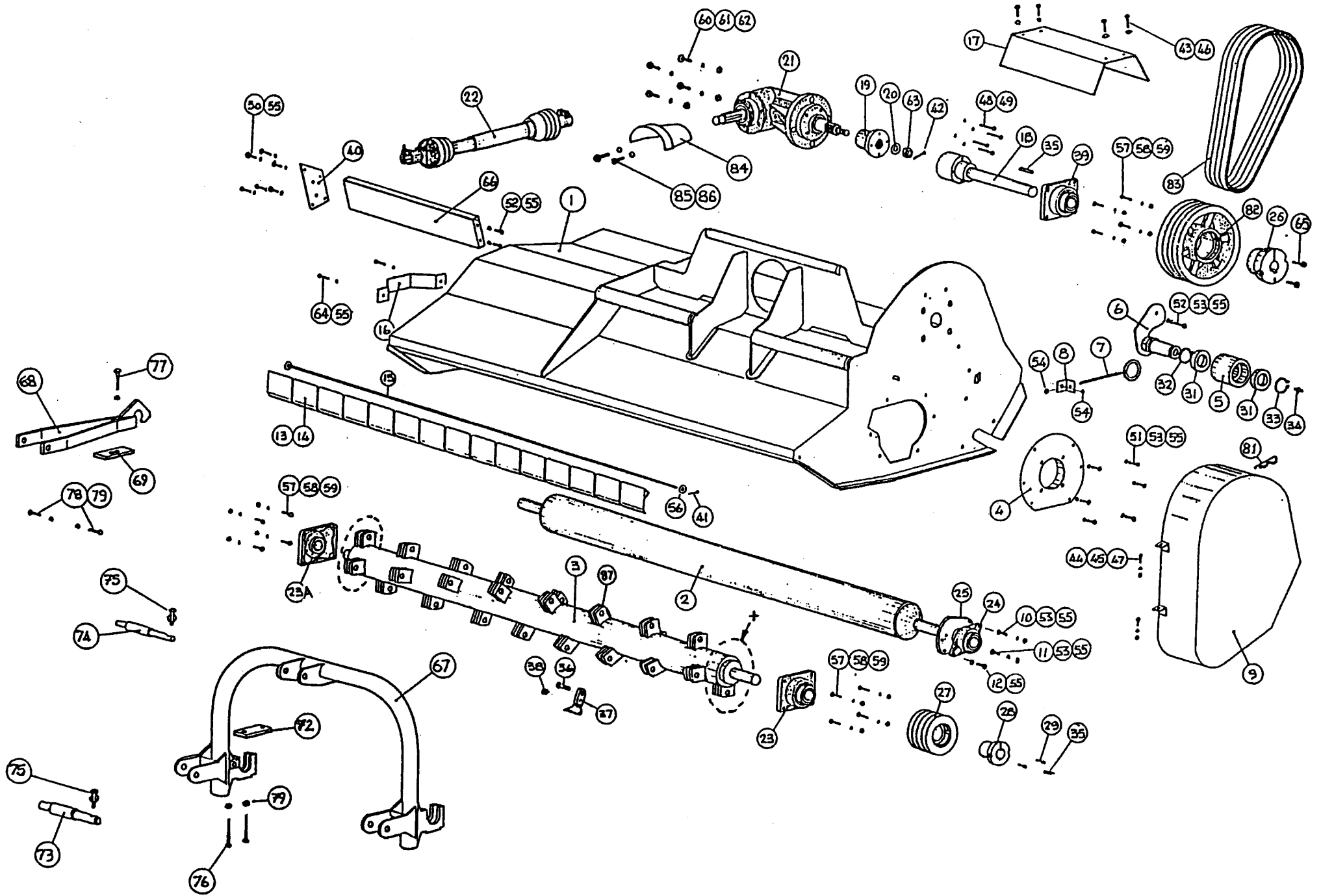
SAFETY WARNING

Failure to ensure pin and fixing nut is secure could cause flails to come loose and be ejected from the machine, potentially causing injury.

Note: Loss of flail and fixing will also unbalance rotor and may cause further flail losses and / or damage to rotor and bearings.

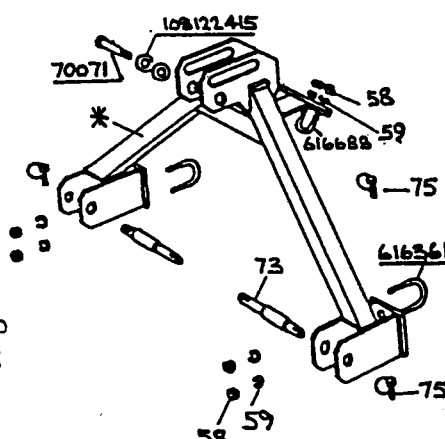
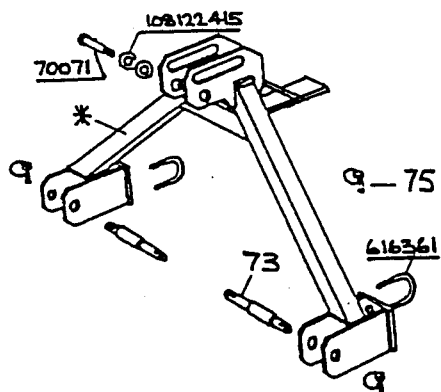
ACTION REQUIRED

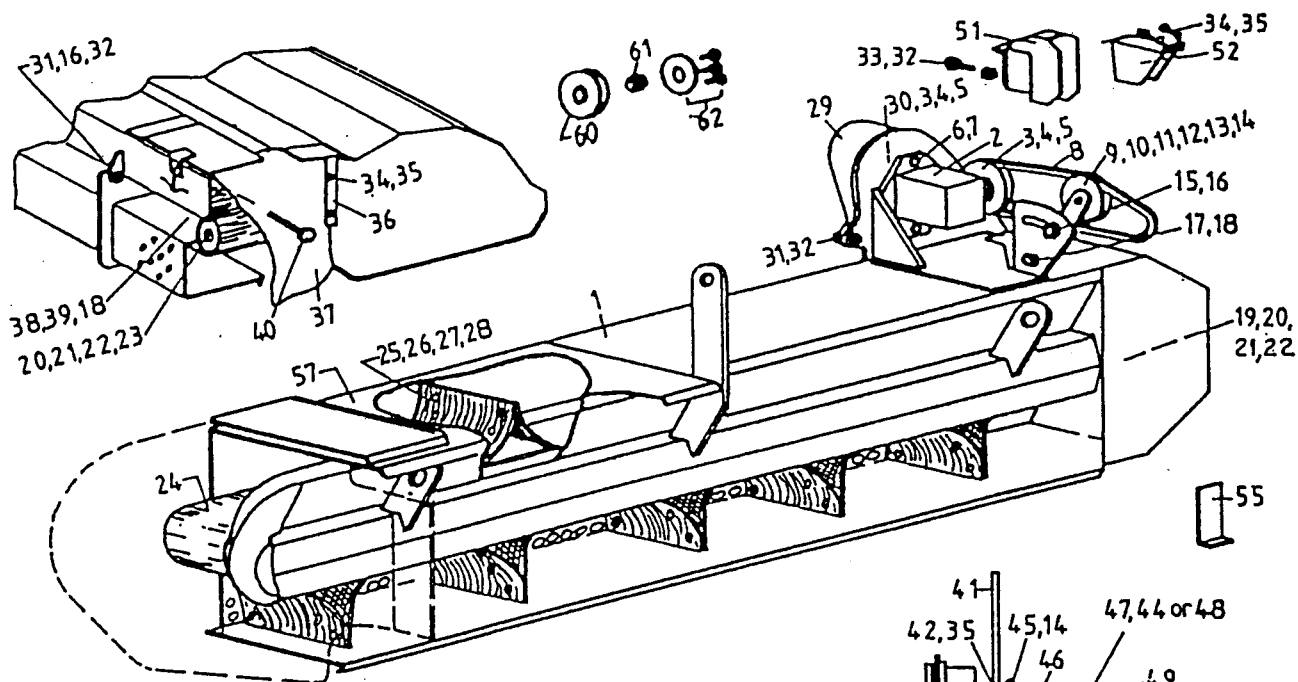
- Fit flail pins with nut on LEFT HAND SIDE of Mulchmasta. (Left viewed standing behind.)
- Secured nuts with a thread locking compound. (Loctite 243 or stronger.)
- Tighten Nuts to 175 Nm (130 ftlb).



MULCHMASTA BODY

REFER NOTES	ITEM	PART NO.	DESCRIPTION	QTY	NOTES
	43	301210255	Bolt	2	(D)
	44	301210305	Bolt	2	616642 Headstock Assy 1
	45	307210055	Nut	2	consists of....
	46	308100045	Washer	2	616361 U Bolt 2
	47	308100015	Washer	2	616361/J J Bolt -
	48	101107305	Bolt	4	308160045 Washer M16 4
	49	108071215	Washer	4	307216015 Nut M16 4
	50	301412305	Setscrew	6	
	51	301412305	Setscrew	6	
	52	301212355	Bolt	2	
	53	307212015	Nut	As Req	
	54	307212055	Nut - Nyloc	2	
	55	308120045	Washer	As Req	
	56	308120015	Washer	As Req	
	57	301216455	Bolt	4	
	58	307216015	Nut	4	
	59	308160045	Washer	4	
	60	101212205	Bolt	4	
	61	107112015	Nut	4	
	62	108122045	Washer	4	
	63	78109	Nut	1	
	64	301412305	Setscrew	2	
	65	101206125	Bolt	3	
	66	616527	Mulching Bar MM155	1	
		616528	Mulching Bar MM185	1	
		616529	Mulching Bar MM215	1	
(D)	67	-	Top Mast	1	(D) 616687 Headstock Only 1
	68	616329	Hook	1	616361 U Bolt 2
	69	616330	Clamp	1	616688 U Bolt 1
	72	616331	Clamp	2	308160045 Washer M16 6
	73	616332	Pin	2	307216015 Nut M16 6
	74	616333	Pin	1	
	75	610661	Cotter Assy	3	
	76	301612105	Bolt	4	
	77	301212605	Bolt	1	
	78	301212355	Bolt	2	
	79	307112055	Nut	7	
	80	-			
	81	208014030	Clip	1	
	82	616446	Pulley 305 PCD	1	
		616450	Pulley 255 PCD	1	
	83	204006490	V Belt(305 PCD Pulley)	4 BX54	
		20400601A	V Belt(255 PCD Pulley)	4 BX50	
		204006110	V Belt(units commencing S/N MM382....	4 BX51	
	84	616531	Guard	1	
	85	301408165	Setscrew	2	
	86	308080015	Washer	2	
	87	616533	Lug Pair (Replacement)	As Req	





NOTE: BELT WIDTH 110 mm

SIDEWINDER PARTS LIST (As fitted to Mowcrafts and Mulchmastas only)

ITEM	PART NO.	DESCRIPTION	QTY	ITEM	PART NO.	DESCRIPTION	QTY
1	T50055	Body welded assembly	155	1	1		
	T50056	" " "	185	28	616701	Flat washer (lug fixing)	As Req
	T50057	" " "	215	29	T40019	Belt guard	1
	T50058	" " "	255	30	204008080	Belt (secondary drive) B35	1
2	T20010	Gearbox assembly	1	31	301210305	Bolt M10 x 30	2
3	T36020	Drive pulley	1	32	307210055	Nyloc nut M10	2
4	T6000	Mounting bush	1	33	301210405	Bolt M10 x 40	1
5	T6040	Retainer	1	34	301408165	Setscrew M8 x 16	4
NI	301408205	Setscrew (Retainer to Pulley)	3	35	308080045	Spring washer M8	4
6	301410305	Setscrew M10 x 30	2	36	T40020	Bracket	1
7	308100045	Spring Washer M10	2	37	T40009	Flap	1
8	616654	Drive belt B43	1	38	307212025	Nut M12	2
9	T36000	Idler pulley	1	39	308120045	Spring washer M12	2
10	251237121	Bearing	1	40	T40043	Adjuster screw	1
11	208001070	Circlip	1	41	T40038	Lift handle	1
12	T32000A	Spacer	1	42	301208655	Bolt M8 x 65	1
13	301212555	Bolt M12 x 55	1	NI	307208015	Nut M8	1
14	307212055	Nyloc Nut M12	1	43	T400311	Hinge pin	2
15	301410255	Setscrew M10 x 25	1	44	208092040	Lynch pin	2
16	308100015	Flat washer M10	1	45	301212705	Bolt M12 x 70	1
17	301412255	Setscrew M12 x 25	1	46	T40041	Connecting rod	1
18	308120015	Flat washer M12	1	47	616708	Pin	1
19	T40011	Drive roller	1	48	208014030	R Clip	1
20	25307219A	Bearing	2	49	-	Bracket (welded to body)	-
21	208102250	Circlip	1	50	-		
22	202030030	Grease nipple	1	51	T40016	Belt guard - moving	1
23	T140012	Tension pulley	1	52	T40017	Belt guard - fixed	1
24	616711	Drag belt assembly	155	53	T40013	Mtg bracket - roller drive	1
	616702	" " "	185	56	T40014	Mtg bracket - tension pulley	1
	616703	" " "	215	57	T40018	Cover - drag belt	1
	616704	" " "	255	58	301416355	Setscrew M16 x 35	2
NI	616710	Plain belt (No lugs) 5m long	As Req	59	308160045	Spring washer M16	2
NI	616700	Belt joiner kit	As Req	60		Drive pulley	1
25	616709	Belt lug	As Req	61	T6035	Bush	1
26	493804085	Bolt (Lug fixing) 244405165	As Req	62	T6045	Retainer & Bolts	1
27	497604015	Nut " " 307205055	As Req				
NI	616710/A	Plain belt 900 mm	-				