



Mowcraft MC

PARTS LIST

General Information

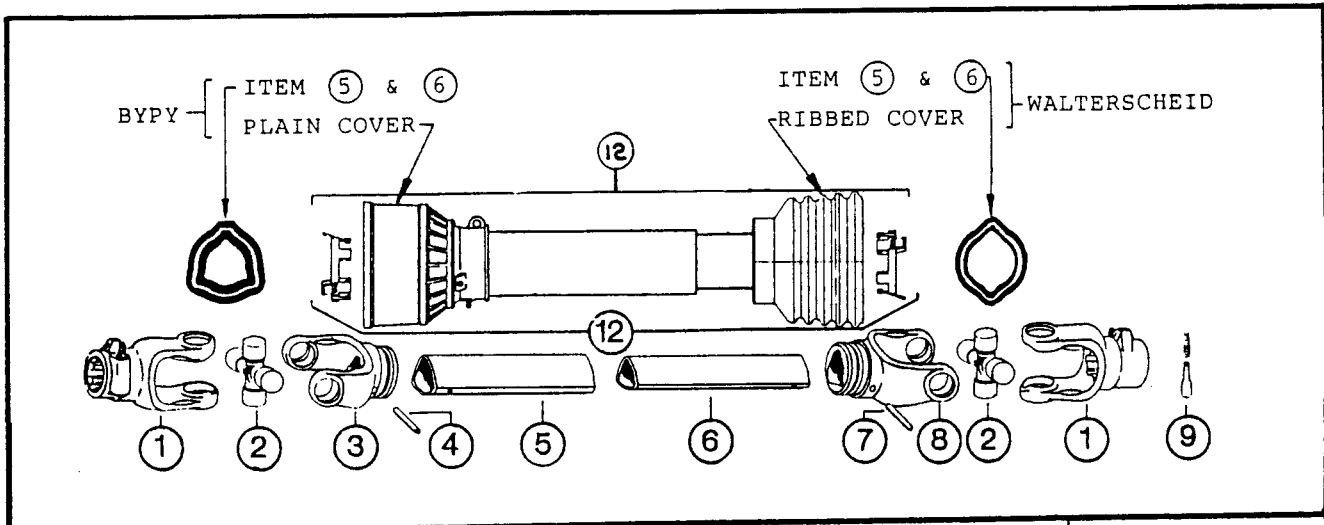
Serial No. Prefix MC.....

Serial number is located on front RH side of frame.

Special Notes:

▼	Left Hand	Λ	Alternative
▼▼	Right Hand	*	Change since last print
▲	Upper	306357x6	Quantity
▲▼	Lower	306357#	Quantity as required
▼▼	Width	⏏	Only for
▼▼▼	Length	⏏	Central
▼▼▼	From serial number	⏏	Offset
▼▼▼	Up to serial number	Z	Number of teeth
↺	rpm		

Catalogue no.	Issue	Page Affected
77087	5/90	New Issue



MACHINE		EZEEMOW		MOWCRAFT (STD) *		MOWCRAFT (HD)		MULCHMASTA	
SHAFT		616339		616443		616444		616444	
ITEM	PART	BYPY 102	W'SCHEID W2100	BYPY 105	W'SCHEID W2300	BYPY 106	W'SCHEID W2400	BYPY 106	W'SCHEID W2400
1)	END YOKE	204051790	10.10.00	78228	21.10.00	204051080 20405108A	204047770	204051080 20405108A	204047770
2)	CROSS JOURNAL	204056610	10.01.00	78229	21.00.00	204056390	204046830	204056380	204046830
3)	OUTER TUBE YOKE	204052015 c/w 3,4,5	10.49.00	78234	21.12.00	204051060	35.14.00 204047901	204051060	35.14.00
4)	OUTER ROLL PIN		64.04.01	78235 208012715	61.05.04	208089370	61.05.08	208089370	61.05.08
5)	OUTER DRIVE TUBE		75.12.00	78233	75.15.00	204054080	75.35.00	204054080	75.35.00
6)	INNER DRIVE TUBE	204052016 c/w 6,7,8	75.06.00	78231	75.11.00	204054090	75.25.00	204054090	75.25.00
7)	INNER ROLL PIN		64.04.01	78232 208012715	61.05.04	208089240	61.05.08	208089240	61.05.08
8)	INNER TUBE YOKE		10.48.00	78230	21.11.00	204051070	35.13.00 204047902	204051070	35.13.00
9)	LOCK PIN KIT	204056290	204012850	204056290	204012850	204056290	204012850	204056290	204012850
12)	COVER SET COMPLETE	204055051	85-000-1000	78236	85-100-1000	204055020	82-158-1000	204055020	82-158-1000

* NOTE: Some larger Mowcraft fitted with HD MOWCRAFT Drive Shaft.

Check for series on cross journal (item 2)

BYPY 102 series has 2 embossed on cross

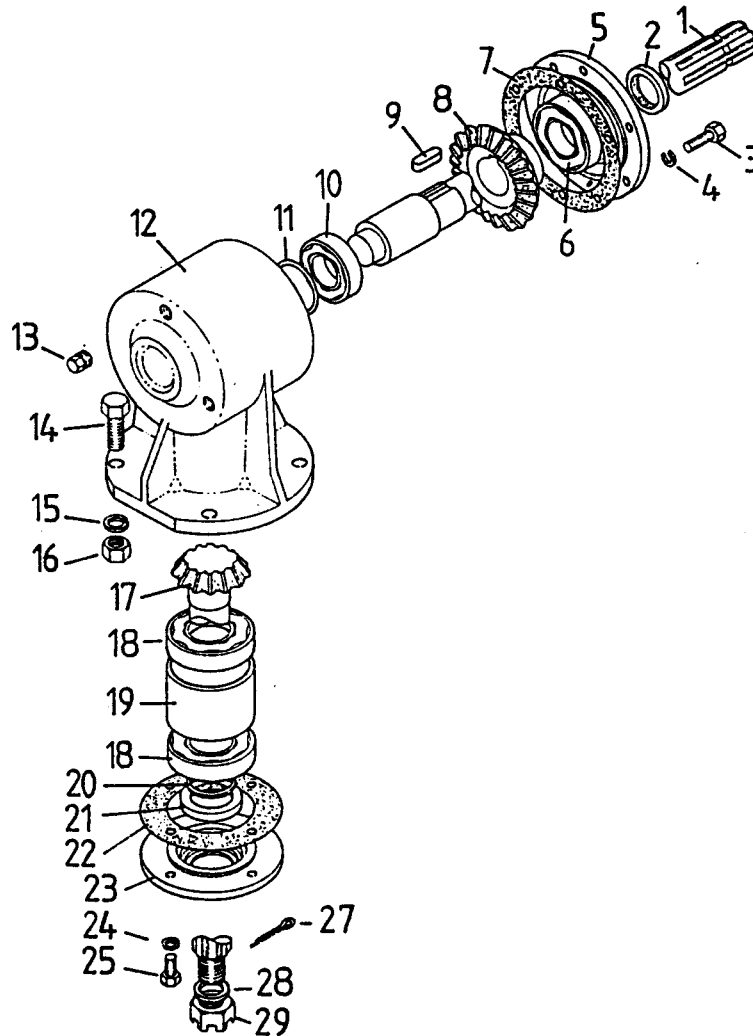
BYPY 105 series has 5 embossed on cross

BYPY 106 series has 6 embossed on cross

WALTERSHIELD has cross journal part number embossed on cross

+ 20405108A — PINCH BOLT YOKE

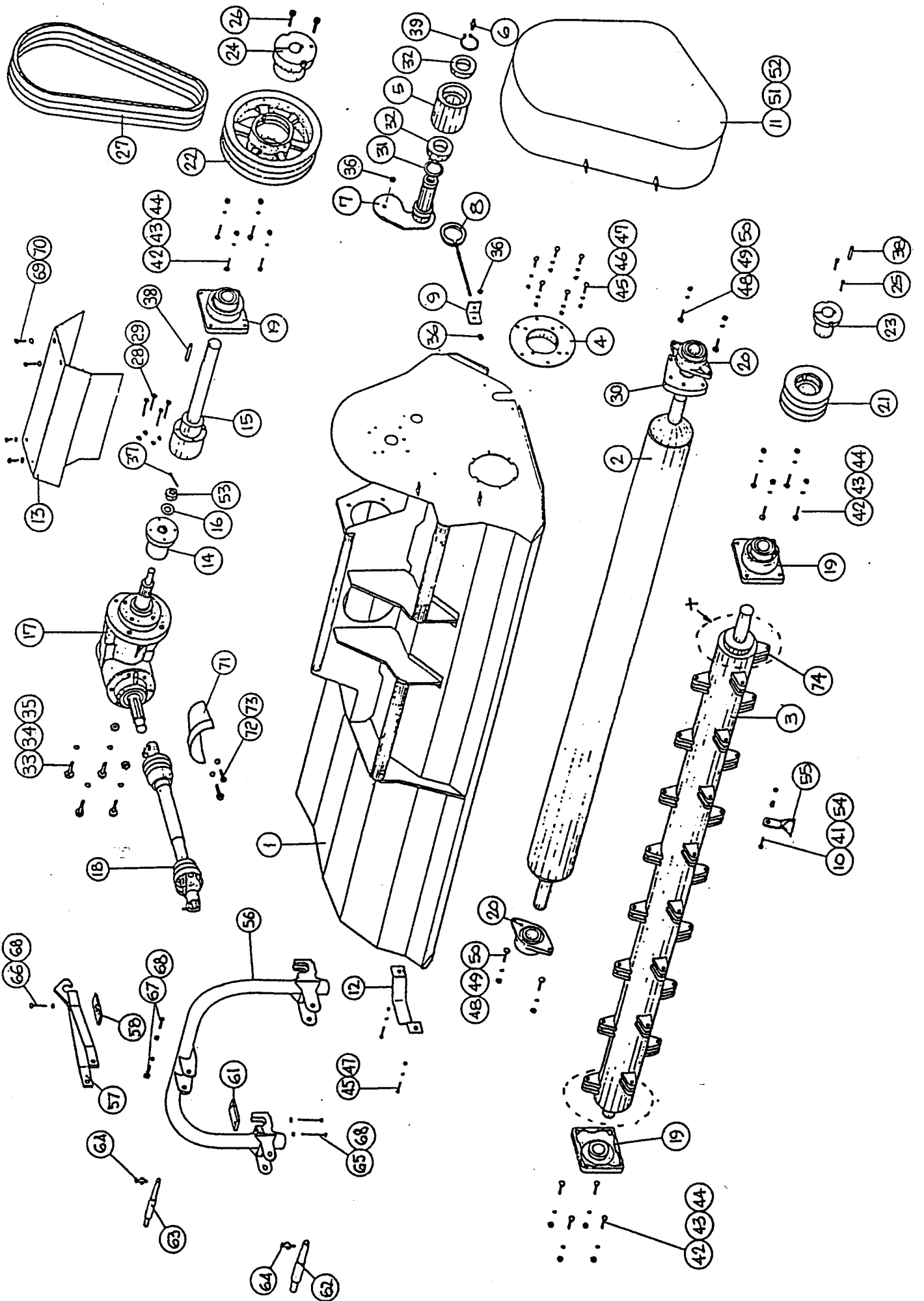
MOWCRAFT STANDARD ONLY



Gearbox

STANDARD ONLY P/NO. 204041610 - LF20A
 For MC255 & HD Models refer to Mulchmaster Gearbox

Item	Part No.	Description	Qty.	Item	Part No.	Description	Qty.
1	0.119.2001	Input Shaft	1	16	307216015	Nut	4
2	265235071	Oil Seal	1	17	0.119.6202	Pinion	1
3	301210305	Cap Screw	6	18	254080181	Bearing	2
4	308100045	Spring Washer	6	19	0.119.7100	Spacer Ring	1
5	0.119.1302	Input Housing	1	20	208002390	Ext. Circlip	1
6	253572171	Bearing	1	21	266240101	Oil Seal	1
7	0.119.7200	Gasket	1	22	0.119.7201	Gasket	1
8	0.119.5200	Crownwheel	1	23	0.119.1301	Spindle Housing	1
9	8.4.1.00495	Key	1	24	308100045	Spring Washer	4
10	253062161	Bearing	1	25	301410205	Capscrew	4
11	8.5.6.00519	Ring	1	26			
12	0.119.0305	Gearcase	1	27	208010860	Split Pin	1
13	203031190	Oil Plug † BSP	1	28	108163015	Spring Washer	1
14	301216455	Bolt	4	29	8.2.2.00515	Nut Castle M24	1
15	308160045	Spring Washer	4	NI	8.6.7.00161	Breather	1



MOWCRAFT BODY

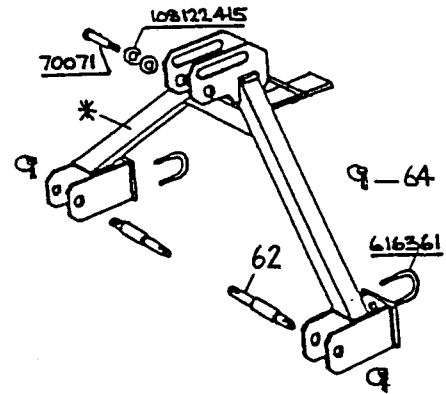
REFER	ITEM	PART NO.	DESCRIPTION	QTY	NOTES
NOTES					
(A)	1	616400	Body MC155	1	(A)
(A)		616433	Body MC155HD	1	On later machines rotors
(A)		616401	Body MC185	1	have flanged ends as shown.
(A)		616436	Body MC185HD	1	For these add '/A' to the
(A)		616402	Body MC215	1	Part no. on items 1, 3 & 4.
(A)		616437	Body MC215HD	1	Eg. 616407/A. Commences
(A)		616439	Body MC255HD	1	serial No. MC396.
	2	616403	Roller MC155	1	On machines from S/N MC509
		616404	Roller MC185	1	the rotor tube is
		616405	Roller MC215	1	Ø141 (replacing Ø127), and
		616440	Roller MC255	1	body end plates are
(A)	3	616406	Rotor MC155	1	different. The standard
(A)		616407	Rotor MC185	1	spares rotor of Ø127 fits
(A)		616408	Rotor MC215	1	both, but a Ø141 rotor will
(A)		616442	Rotor MC255	1	only fit machines S/N MC509
(A)	4	616409	Plate	2	and on.
(B)	5	616410	Pulley	1	
	6	202030060	Nipple	1	(B)
(B)	7	616411	Plate	1	Later style item 7 manu-
	8	616412	Tensioner	1	factured from 50 x 16 bar
	9	616413	Bracket	1	in lieu of plate
	10	616324	Bush MC155/34,185/40, 215/48,255/52		Item 5 P/No. 616410/A.....
	11	616414	Guard	1	MC255HD use P/N 616506/A
	12	616415	Guard	1	Item 7 P/No. 616411/A
	13	616416	Cover	1	Item 31 P/No. _____
	14	616417	Coupling Standard	1	Item 32 P/No. 253072197
		616515	Coupling MC255 & HD	1	Item 39 P/No. 208002370
(C)	15	616418	Jackshaft Std - 465mm	1	
(C)		616514	Jackshaft HD - 440mm	1	(C)
	16	616419	Washer Standard	1	JACKSHAFT LENGTH AS FOLLOWS
		616530	Washer MC255 & HD	1	*-----*
	17	204041610	Gearbox Standard	1	LF20 G/BOX LF17 G/BOX
		70862	Gearbox MC255 & HD	1	STD. MC H/D MC&MM
	18	616443	Shaft Assy. Standard	1	*=====*
		616444	Shaft Assy. MC255 & HD	1	Std Variable
	19	616420	Bearing Assembly	3	ALL: 616418 616514
	20	616421	Bearing Assembly	2	MOD: 465MM 440MM
(D)	21	616422	Pulley-Rotor OD-147mm	1	*-----*
(D)	22	616423	Pulley-Jackshaft	1	Centre Variable
(D)	23	616430	Bush-Rotor Pulley	1	185: 616418/59: 616514/56:
(D)	24	616447	Bush-Jackshaft Pulley	1	594MM 560MM
	25	106106105	Capscrew	3	*-----*
	26	106106125	Capscrew	3	215: 616418/74: 616514/72:
	27	204006490	Belt B54 MC155,185, MC215 & HD	3	746MM 720MM
		20400601A	Belt B50 MC255HD	3/4	*-----*
** FOR UNITS COMMENCING S/N MC509 **		204006500	Belt B55 MC155,185, MC215 & HD	3	255: 616418/89: 616514/86:
		204006110	Belt B51 MC255HD	4	898MM 865MM
	28	101107305	Bolt	4	*-----*
	29	108071245	Washer	4	(D)
(A)	30	616448	Plate	2	Due to changes here refer
(B)	31	208002400	Circlip	1	to Howard Spares. Pulley
(B)	32	254080188	Bearing	2	outside diameters & number
	33	301216455	Bolt Standard	4	of belts will be required.
	34	308160045	Washer Standard	4	(For MC255HD from S/No.
					MC443 the side drive is
					same as Mulchmasta).

MOWCRAFT BODY

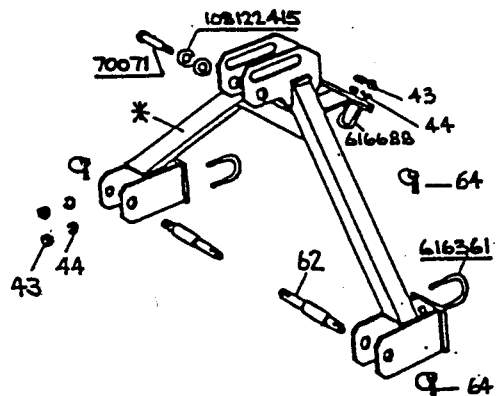
REFER NOTES	ITEM	PART NO.	DESCRIPTION	QTY
	35	307216015	Nut Standard	4
		101212205	Bolt MC255 & HD	4
		108122045	Washer MC255 & HD	4
		107112015	Nut	4
	36	307112055	Nut	3
	37	208010860	Pin Standard	1
		208016490	Pin MC255 & HD	1
	38	616427	Key	1
(B)	39	208012310	Circlip	1
	40	-		
	41	307210115	Nut - Coneloc	As Req
	42	301216455	Bolt	12
	43	307216015	Nut	12
	44	308160045	Washer	12
	45	301210255	Bolt	8
	46	307210015	Nut	6
	47	308100045	Washer	8
	48	301212405	Bolt	4
	49	307212015	Nut	4
	50	308120045	Washer	4
	51	301210305	Bolt	2
	52	307210055	Nut	2
	53	204061054	Nut Standard	1
		78109	Nut MC255 & HD	1
	54	301210405	Bolt	As Req
	55	616431	Flail Std MC155/34, MC185/40, MC215/48, MC255/52.	
		616432	Flail HF MC155/34, MC185/40, MC215/48, MC255/52.	
(E)	56	-	Top Mast	1
	57	616329	Hook	1
	58	616330	Clamp	1
	59	616428	Floating Link	1
	60	616429	Pin	1
	61	616331	Clamp	2
	62	616332	Pin Lower Cat1, 2	2
	63	616333	Pin Upper Cat1, 2	1
		70071	Pin Upper Cat1 Only	1
	64	610661	Cotter Assembly	3
	65	301612105	Bolt	4
	66	301212605	Bolt	1
	67	301212355	Bolt	2
	68	307212055	Nut	7
	69	301410255	Setscrew	4
	70	308100045	Washer	4
	71	616531	Guard	1
	72	301408165	Setscrew	2
	73	308080015	Washer	2
	74	616456	Lug Replacement	As Req

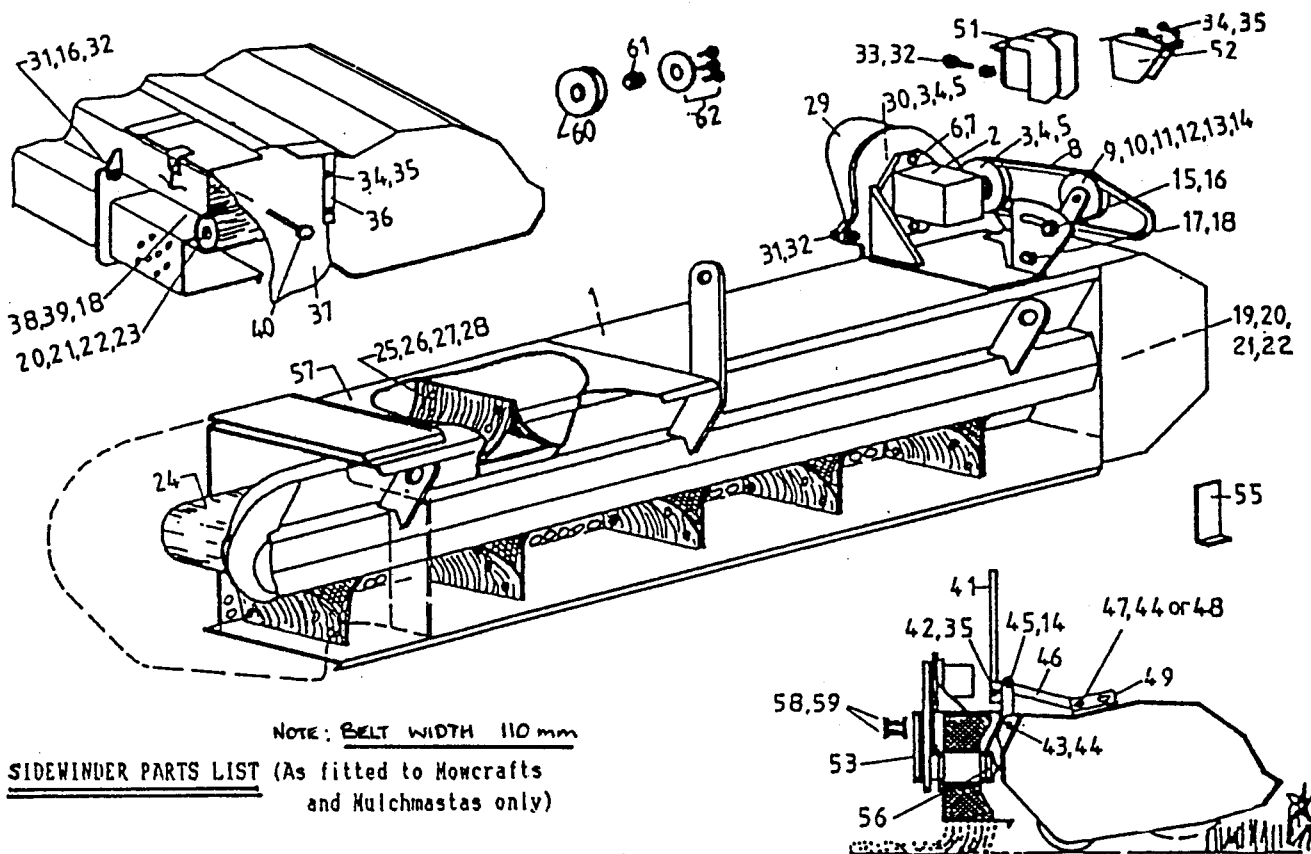
NOTES

(E)
 616642 Headstock Assy 1
 consists of....
 616361 U Bolt 2
 616361/J J Bolt -
 308160045 Washer M16 4
 307216015 Nut M16 4



(E)
 616687 Headstock Only 1
 616361 U Bolt 2
 616688 U Bolt 1
 308160045 Washer M16 6
 307216015 Nut M16 6





NOTE: BELT WIDTH 110 mm

SIDEWINDER PARTS LIST (As fitted to Howcrafts and Mulchmastas only)

ITEM	PART NO.	DESCRIPTION	QTY	ITEM	PART NO.	DESCRIPTION	QTY
1	T50055	Body welded assembly	155	1	1		
	T50056	" " "	185	1	1		
	T50057	" " "	215	1	1		
	T50058	" " "	255	1	1		
2	T20010	Gearbox assembly	1	28	616701	Flat washer (lug fixing)	As Req
3	T36020	Drive pulley	1	29	T40019	Belt guard	1
4	T6000	Mounting bush	1	30	204008080	Belt (secondary drive) B35	1
5	T6040	Retainer	1	31	301210305	Bolt M10 x 30	2
NI	301408205	Setscrew (Retainer to Pulley)	3	32	307210055	Nyloc nut M10	2
6	301410305	Setscrew M10 x 30	2	33	301210405	Bolt M10 x 40	1
7	308100045	Spring Washer M10	2	34	301408165	Setscrew M8 x 16	4
8	616654	Drive belt B43	1	35	308080045	Spring washer M8	4
9	T36000	Idler pulley	1	36	T40020	Bracket	1
10	251237121	Bearing	1	37	T40009	Flap	1
11	208001070	Circlip	1	38	307212025	Nut M12	2
12	T32000A	Spacer	1	39	308120045	Spring washer M12	2
13	301212555	Bolt M12 x 55	1	40	T40043	Adjuster screw	1
14	307212055	Nyloc Nut M12	1	41	T40038	Lift handle	1
15	301410255	Setscrew M10 x 25	1	42	301208655	Bolt M8 x 65	1
16	308100015	Flat washer M10	1	NI	307208015	Nut M8	1
17	301412255	Setscrew M12 x 25	1	43	T400311	Hinge pin	2
18	308120015	Flat washer M12	1	44	208092040	Lynch pin	2
19	T40011	Drive roller	1	45	301212705	Bolt M12 x 70	1
20	25307219A	Bearing	2	46	T40041	Connecting rod	1
21	208102250	Circlip	1	47	616708	Pin	1
22	202030030	Grease nipple	1	48	208014030	R Clip	1
23	T140012	Tension pulley	1	49	-	Bracket (welded to body)	-
24	616711	Drag belt assembly	155	50	-		
	616702	" " "	185	51	T40016	Belt guard - moving	1
	616703	" " "	215	52	T40017	Belt guard - fixed	1
	616704	" " "	255	53	T40013	Mtg bracket - roller drive	1
NI	616710	Plain belt (No lugs) 5m long	As Req	56	T40014	Mtg bracket - tension pulley	1
NI	616700	Belt joiner kit	As Req	57	T40018	Cover - drag belt	1
25	616709	Belt lug	As Req	58	301416355	Setscrew M16 x 35	2
26	403804085	Bolt (Lug fixing) 3444-05165	As Req	59	308160045	Spring washer M16	2
27	407604015	Nut " " 307205055	As Req	60		Drive pulley	1
	616710/A	Belt 900mm	-	61	T6035	Bush	1
				62	T6045	Retainer & Bolts	1