



# Rollamowa 72RLM

## PARTS LIST

### General Information

Serial No. Prefix 969N.....

Serial number is located on front RH side of frame.

\*Imperial size spindles 1 1/8" dia. shafts.

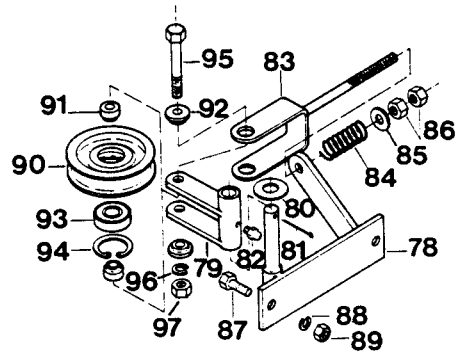
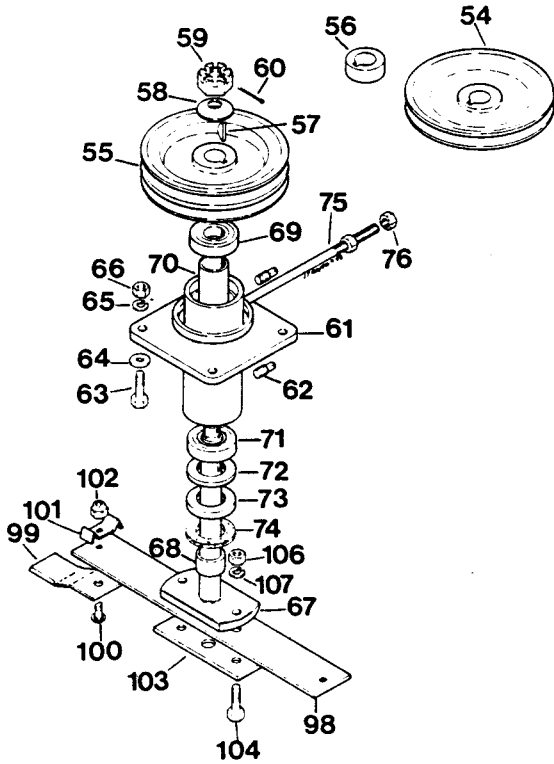
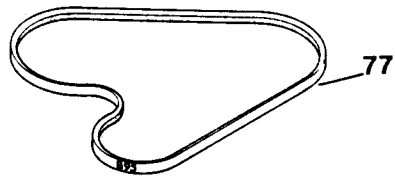
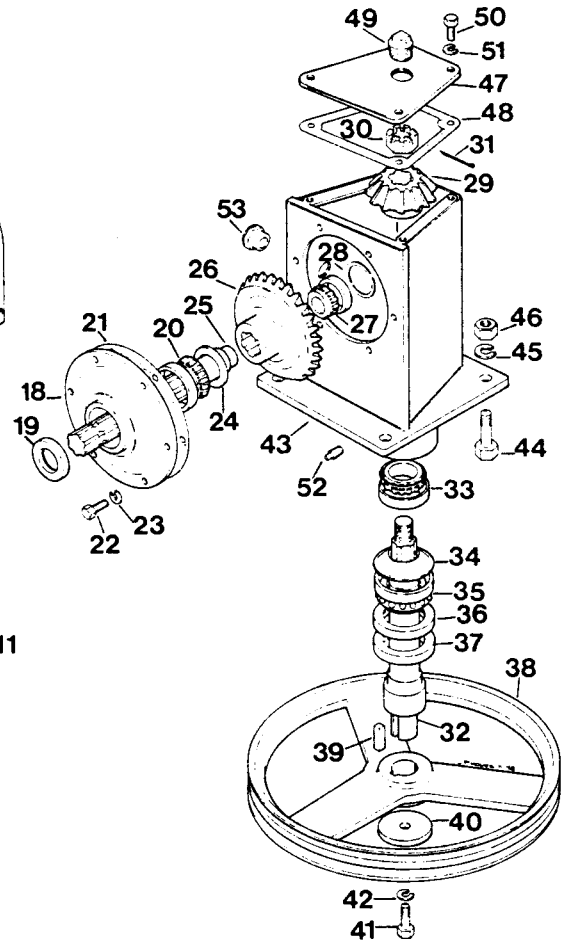
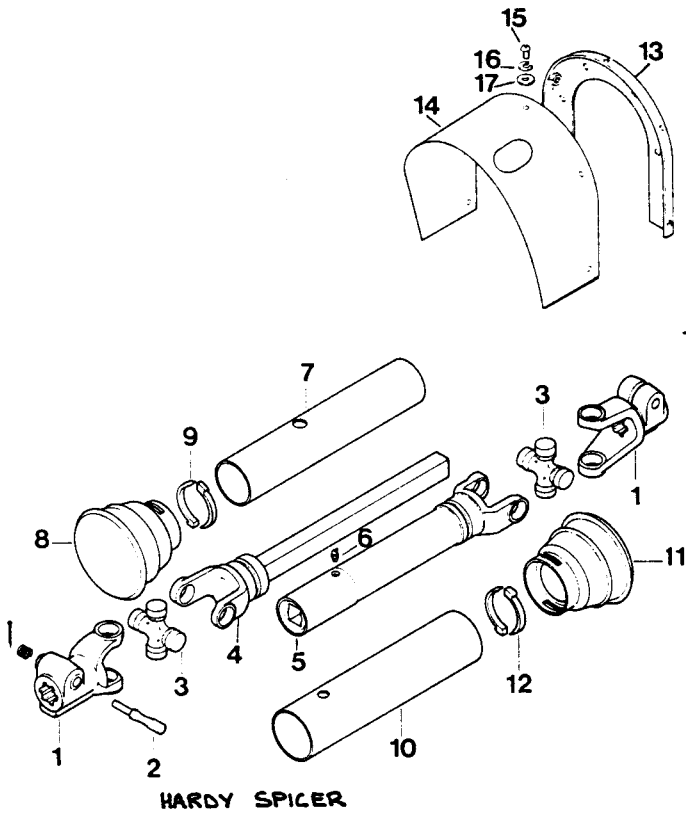
\*One piece belt guard.

### Special Notes:

- |    |                     |          |                         |
|----|---------------------|----------|-------------------------|
| ◀  | Left Hand           | Λ        | Alternative             |
| ▶  | Right Hand          | *        | Change since last print |
| ▲  | Upper               | 306357x6 | Quantity                |
| ▼  | Lower               | 306357#  | Quantity as required    |
| ◀▶ | Width               | ⌈        | Only for                |
| ▶▶ | Length              | ⌋        | Central                 |
| T  | From serial number  | ⌋        | Offset                  |
| ⌋  | Up to serial number | Z        | Number of teeth         |
| ⌋  | rpm                 |          |                         |

Catalogue no.	Issue	Page Affected
77050	5/90	New Issue

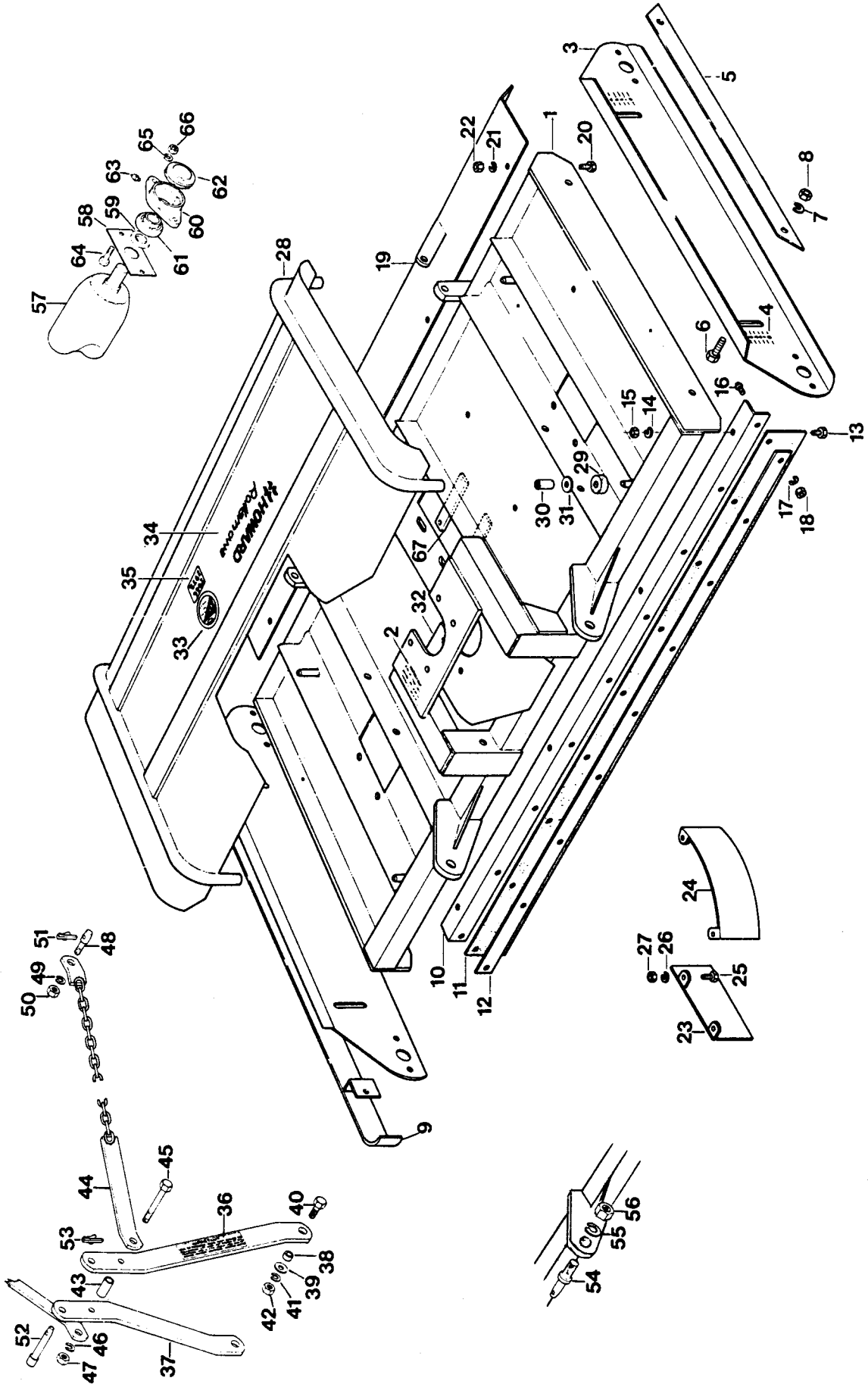
Note: Some components illustrated may no longer be available. All components have been shown for identification purposes.



# Universal Drive & Gearbox Blade Drive & Beam Assemblies



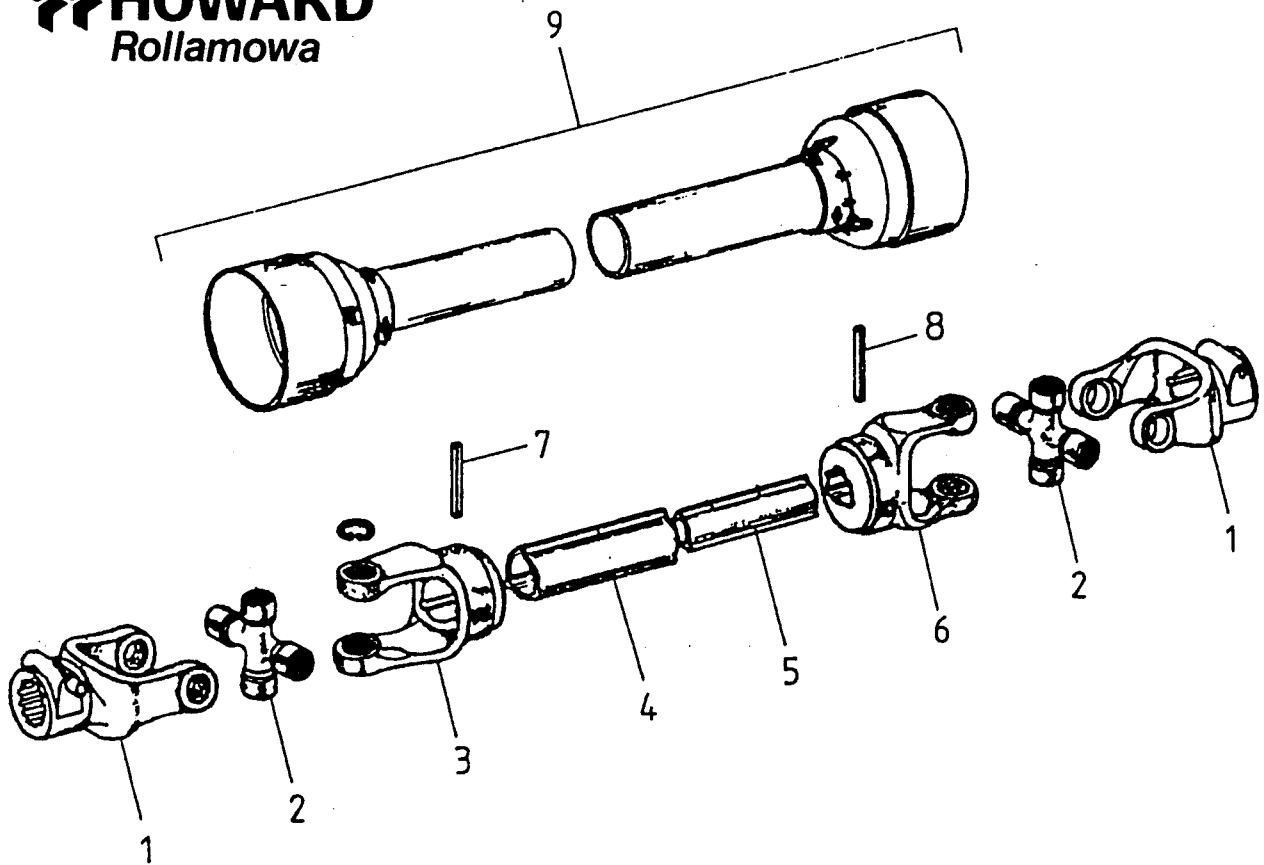
Item	Part No.	Description	Qty.	Item	Part No.	Description	Qty.
BYPY	204-057096	DRIVE SHAFT ASSY - - -	REF. PAGE 6	52	203031170	Plug 1/4" BSP	1
HARDY SPICER	-70542	Universal Drive Shaft Assembly	NLA	53	208056490	Oil Level Window	1
"	*70557	Universal Drive Shaft Assembly	NLA	N.I.	70646	Transfer - p.t.o. speed	1
"	70543	Covered Inner Shaft Assembly	1	54	74545	Pulley 7" PCD - 1 1/8	2
"	*70558	Covered Inner Shaft Assembly	1	55	74546	Pulley 7" PCD - 1 1/8	1
"	70547	Covered Outer Shaft Assembly	NLA	56	74561	Spacer	2
1	70540	End Yoke Assembly (incl. pin)	2	57	208008750	Woodruff Key	3
2	70363	Lock Pin Kit	2	58	203026120	Belleville Washer	3
3	70529	Universal Joint	2	59	107114050	Slotted Nut 7/8" UNF Hex.	3
4	70545	Inner Shaft	1	60	208016350	Split Pin M3.2 x 32	3
5	*70560	Inner Shaft	1	61	74547	Housing	3
6	202030030	Grease Nipple	1	62	203031180	Plug 3/8" BSP	6
7-12	70576	COVER SET	1	63	101107100	Bolt 7/16" UNFx 1 1/4" Hex.H.T.	8
7	-	Inner Cover	1	64	101107120	Bolt 7/16" UNFx 1 1/2" Hex.H.T.	4
8	70485	Joint Cover	1	65	108071410	Flat Washer 7/16"	6
9	70486	Slipper	2	66	108071240	Spring Washer 7/16"	12
10	-	Outer Cover	1	67	107107010	Nut 7/16" UNF Hex.	12
11	70489	Joint Cover	1	67-68	74550	Spindle Assembly - 1 1/8	3
12	70490	Slipper	2	68	-	Spindle	3
	*use on	Massey Ferguson MF165 & MF178		69	74554	Journal	3
13	74475	Backplate	1	70	251125066	Bearing LS11RS	3
14	75941	Cover	1	71	74555	Spacer	3
15	208055210	Screw 1/2" BSW x 1/2" Rd.Hd.	5	72	251125061	Bearing LS11	3
16	108040840	Spring Washer 1/4"	5	73	262515021	Oil Seal BS10032	3
17	209025390	Flat Washer 1/4"	5	74	262515042	Oil Seal BS13308	3
18	74939	Input Housing	1	75	74557	Felt Seal	3
19	262214043	Oil Seal	1	76	74569	Belt Tensioner	1
20	251119062	Bearing L44610/L44649	1	77	307212010	Nut M12 Hex.G8	2
21	74466	Gasket .003"	As Req.	78	204006640	V Belt B95	2
22	301410250	Setscrew M10 x 25 Hex. G8.8	6	79	74562	Bracket	2
23	308100040	Spring Washer M10	6	80	74566	Pivot Bracket	2
24	74453	Thrust Washer	1	81	209025380	Flat Washer 3/4"	2
25	74940	Input Shaft	1	82	208016350	Split Pin M3.3 x 32	2
26	74454	Crownwheel 29T	1	83	202030860	Grease Nipple M8 x 1.25P	2
27	251425071	Bearing LM48510/LM48548	1	84	74572	Tensioner Screw	2
28	74941	Shim 0.08mm	As Req.	85	74689	Spring	2
29	74942	Shim 0.25mm	As Req.	86	209025490	Flat Washer 1/2"	2
30	74455	Pinion 16T	1	87	307212010	Nut M12 Hex.G8	4
31	107116050	Slotted Nut 1" UNF Hex.	1	88	101107100	Bolt 7/16" UNFx 1 1/4" Hex.H.T.	4
32	208010810	Split Pin M5 x 40	1	89	108071240	Spring Washer 7/16"	4
33	76931	Spindle	1	90	107107010	Nut 7/16" UNF Hex.	4
34	251526071	Bearing LM29710/LM29749	1	91	74575	Jockey Roller	2
35	74953	Cone Washer	1	92	74576	Spacer	4
36	251731071	Bearing LM603011/LM603049	1	93	74577	Spacer	4
37	263121052	Oil Seal - inner	1	94	250719066	Bearing LS82RS	2
38	263121053	Oil Seal - outer	1	95	208001120	Circlip 1 7/8" Int.	2
39	74544	Pulley 18" PCD	1	96	101108280	Bolt 1/2" UNFx 3 1/2" Hex.H.T.	2
40	74559	Key	1	97	108081440	Spring Washer 1/2"	2
41	74560	Clamping Washer	1	98	107108010	Nut 1/2" UNF Hex.	2
42	301212350	BOLT M12 x 35 Hex.G8.8	1	99	78014	Blade Beam - Stepped	3
43	308120040	Spring Washer M12	1	100	77957	Blade - L/D	6
44	74943	Gearbox	1	101	74586	Blade Bolt - L/D	6
45	301216500	Bolt M16 x 50 Hex.G8.8	4	102	74763	Nut Shield	6
46	308160040	Spring Washer M16	4	103	107206195	Locknut 3/8" UNC - L/D	6
47	307216010	Nut M16 Hex.	4	104	74728	Stiffening Strip	3
48	74954	Cover	1	105	101107145	Bolt 7/16" UNFx 1 1/4" Hex.H.T.	6
49	74955	Gasket	1	106	108071240	Spring Washer 7/16"	6
50	53654	Filler Plug	1	MI	107107010	Nut 7/16" UNF Hex.	6
51	301410250	Setscrew M10 x 25 Hex.G8.8	4		77993	BEAM SUPPORT	3
	308100040	Spring Washer M10	4	† 99	78016	BLADE - H/D	6
				† 100	78015	BLADE BOLT - H/D	6
				† 102	307210115	NUT - H/D	6



# Mounting Brackets, Body & Rollers



Item	Part No.	Description	Qty.	Item	Part No.	Description	Qty.
1	76924	Body	NLA				
2	70612	Transfer	1				
3	74855	Side Skid	2	† 3	74534	SIDE SKID - 1" DIA. ROLLER	
4	70666	Transfer	4				
5	75940	Height Indicator	2				
6	101110140	Bolt 5/8" UNF x 1 3/4" Hex.H.T.	4				
7	108101740	Spring Washer 5/8"	4				
8	107110010	Nut 5/8" UNF Hex.	4				
9	77935	Bearing Guard	2				
10	74541	Angle	1				
11	74540	Rubber Skirt	1				
12	74542	Support Strip	1				
13	101306060	Setscrew 3/8" UNF x 3/4" Hex.H.T.	4				
14	108061140	Spring Washer 3/8"	4				
15	107106010	Nut 3/8" UNF Hex.	4				
16	208056540	Screw 3/16" BSW x 3/4" Rd.Hd.	9				
17	108030540	Spring Washer 3/16"	9				
18	107603010	Nut 3/16" BSW Hex.	9				
19	74609	Rear Guard	1				
20	101306080	Setscrew 3/8" UNF x 1" Hex.H.T.	4				
21	108061140	Spring Washer 3/8"	4				
22	107106010	Nut 3/8" UNF Hex.	4				
23	74614	Deflector - straight	1				
24	74611	Deflector - curved	2				
25	101306080	Setscrew 3/8" UNF x 1" Hex.H.T.	6				
26	108061140	Spring Washer 3/8"	6				
27	107106010	Nut 3/8" UNF Hex.	6				
28	74578	Belt Guard	NLA				
29	74582	Rubber Spacer	4				
30	74583	Rubber Sleeve	4				
31	209025490	Flat Washer 1/2"	4				
32	76930	Guard	1				
33	70630	Transfer	1				
34	70648	Transfer	1				
35	70656	Transfer	1				
36	70655	Transfer	4				
37	72871	Bracket	2	† 37	77965	BRACKET	
38	72877	Bush - 14 mm	2	† 38	77966	BUSH - 17 mm	
39	209025680	Flat Washer 5/8"	2				
40	101110140	Bolt 5/8" UNF x 1 3/4" Hex.H.T.	2				
41	108101740	Spring Washer 5/8"	2				
42	107110010	Nut 5/8" UNF Hex.	2				
43	72872	Spacer	1				
44	74587	Stay	2				
45	101110400	Bolt 5/8" UNF x 5" Hex.H.T.	1				
46	108101740	Spring Washer 5/8"	1				
47	107110010	Nut 5/8" UNF Hex.	1				
48	74685	Hitch Pin	2				
49	108101740	Spring Washer 5/8"	2				
50	107210010	Nut 5/8" UNC Hex.	2				
51	610661	Cotter Assembly	2				
52	70071	Hitch Pin	1				
53	610661	Cotter Assembly	1				
54	79802	Hitch Pin	2				
55	108162640	Spring Washer 1"	2				
56	208057130	Nut 1" SAE special	2				
57	74856	Roller - 1 3/16 DIA	2	† 57	74535	ROLLER - 1" DIA.	
58	74859	Retaining Plate	4	† 60-63	251039142	BEARING ASSY. - 1" DIA.	
59	75619	Felt Seal	4				
60-63	251246151	Bearing Assembly	4				
60		— Housing	4				
61		— Bearing	4				
62	251232071	Dust Cap	4				
63	202030060	Grease Nipple 1/4"	4				
64	101107120	Bolt 7/16" UNF X 1 1/2" Hex.H.T.	8				
65	108071240	Spring Washer 7/16"	8				
66	107107010	Nut 7/16" UNF Hex.	8				
67	74807	Clamping Plate	2				
N.I.	78615	Shim (rollers)	As Req.				



UNIVERSAL DRIVE SHAFT

ITEM	PART NO.	DESCRIPTION	QTY
1-9	204057096	Shaft Assembly	1
1	204051440	Yoke	2
2	204056906	Cross Kit	2
3	204051410	Yoke - Outer Tube	1
4	204052060	Outer Tube	1
5	204052070	Inner Tube	1
6	204051420	Yoke - Inner Tube	1
7	204056907	Roll Pin - Outer Tube	1
8	204056908	Roll Pin - Inner Tube	1
9	204055915	Cover Set	1