



Rollamowa RLM180

(HS20RM180)

PARTS LIST

General Information

Serial No. Prefix 967N.....

Serial number is located on front RH side of frame.

*Metric size spindles 30mm dia. shafts.

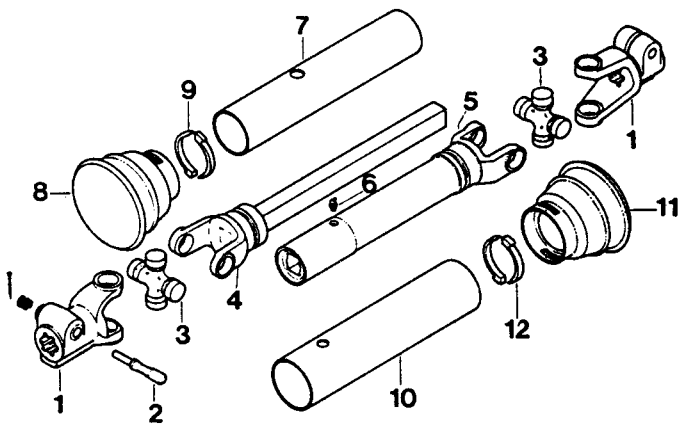
*Fold up belt guards on both sides.

Special Notes:

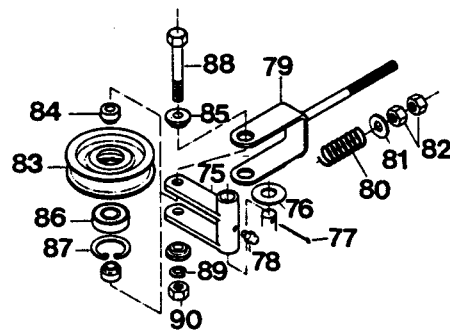
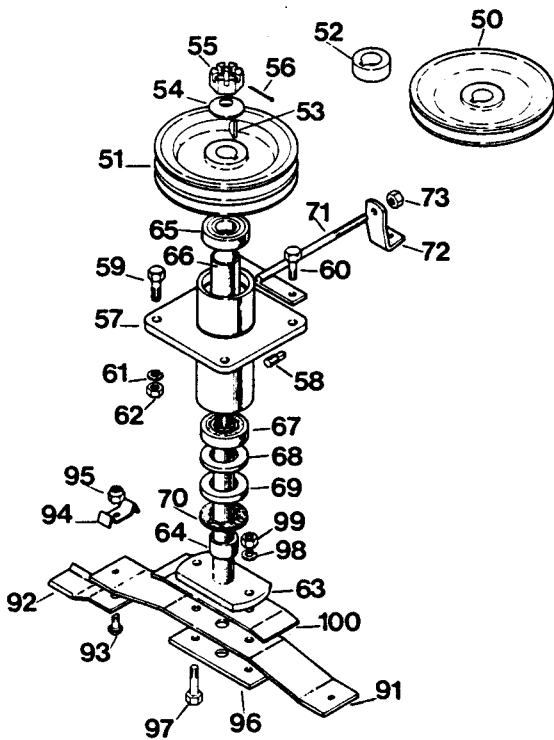
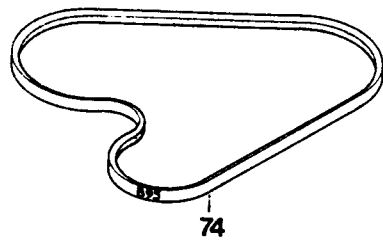
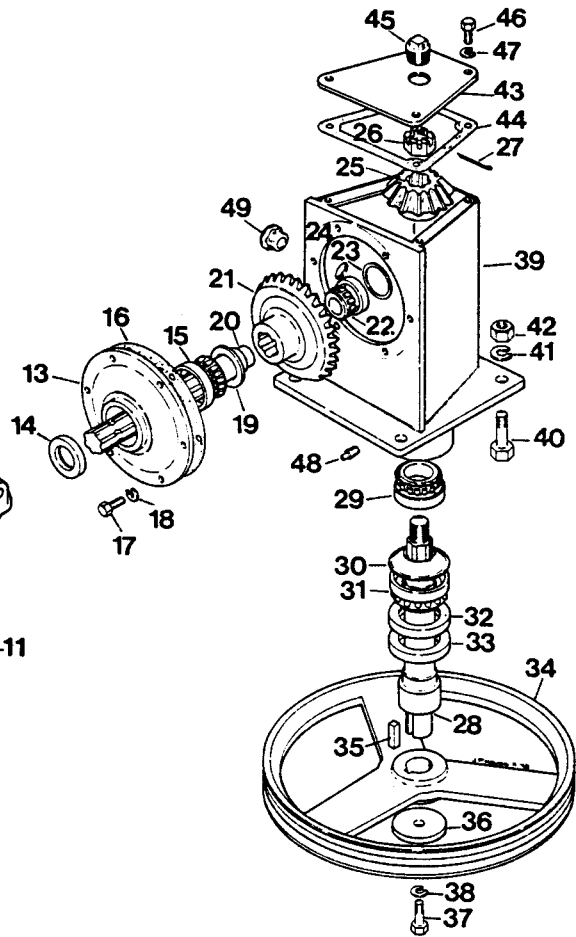
◀	Left Hand	↘	Alternative
▶	Right Hand	*	Change since last print
▲	Upper	306357x6	Quantity
▼	Lower	306357#	Quantity as required
↔	Width	≡	Only for
↔	Length	≡	Central
↑	From serial number	≡	Offset
↓	Up to serial number	Z	Number of teeth
↻	rpm		

Catalogue no.	Issue	Page Affected
77050	5/90	New Issue

Note: Some components illustrated may no longer be available. All components have been shown for identification purposes.



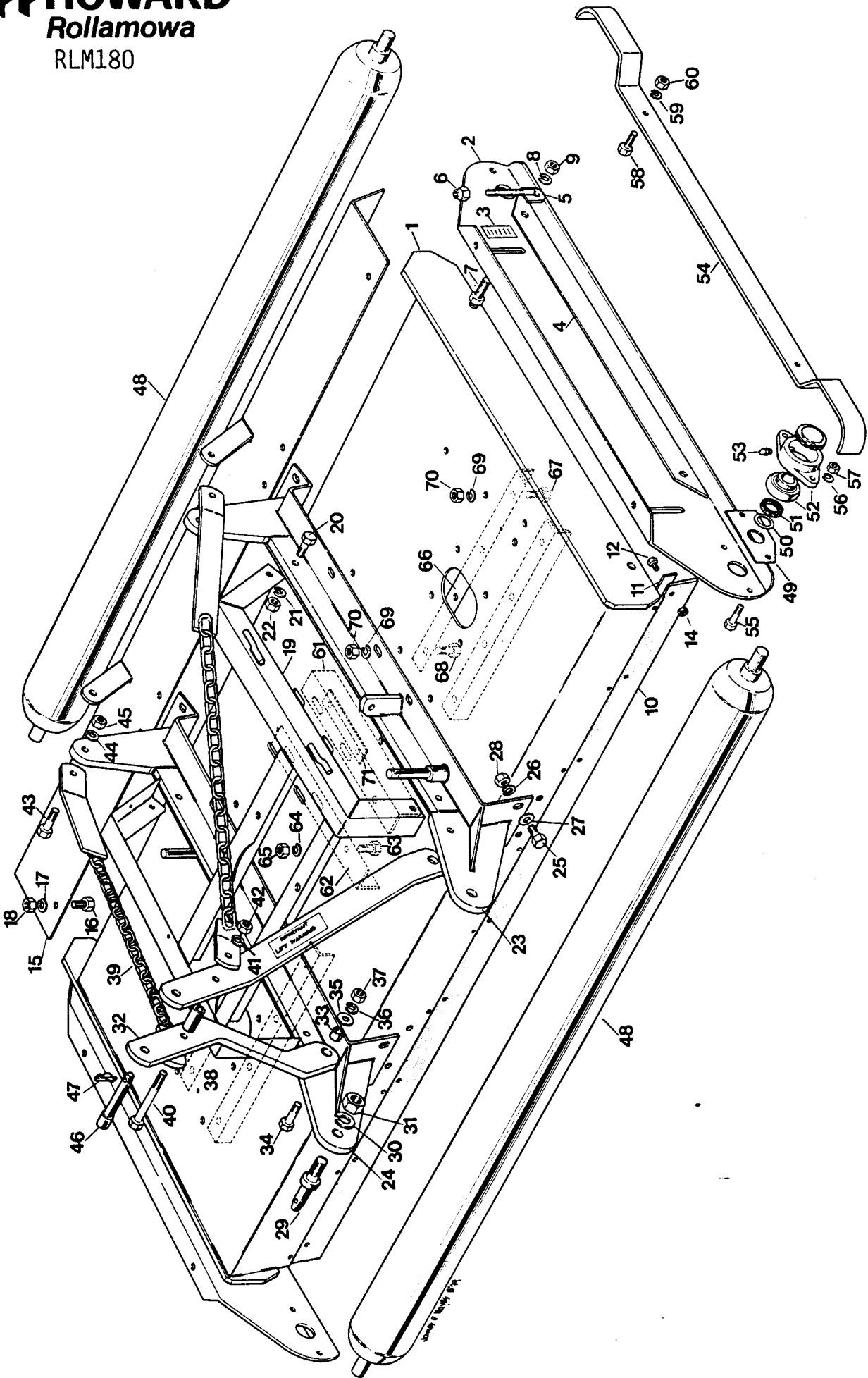
HARDY SPICER



Universal Drive & Gearbox, Blade Drive & Beam Assemblies



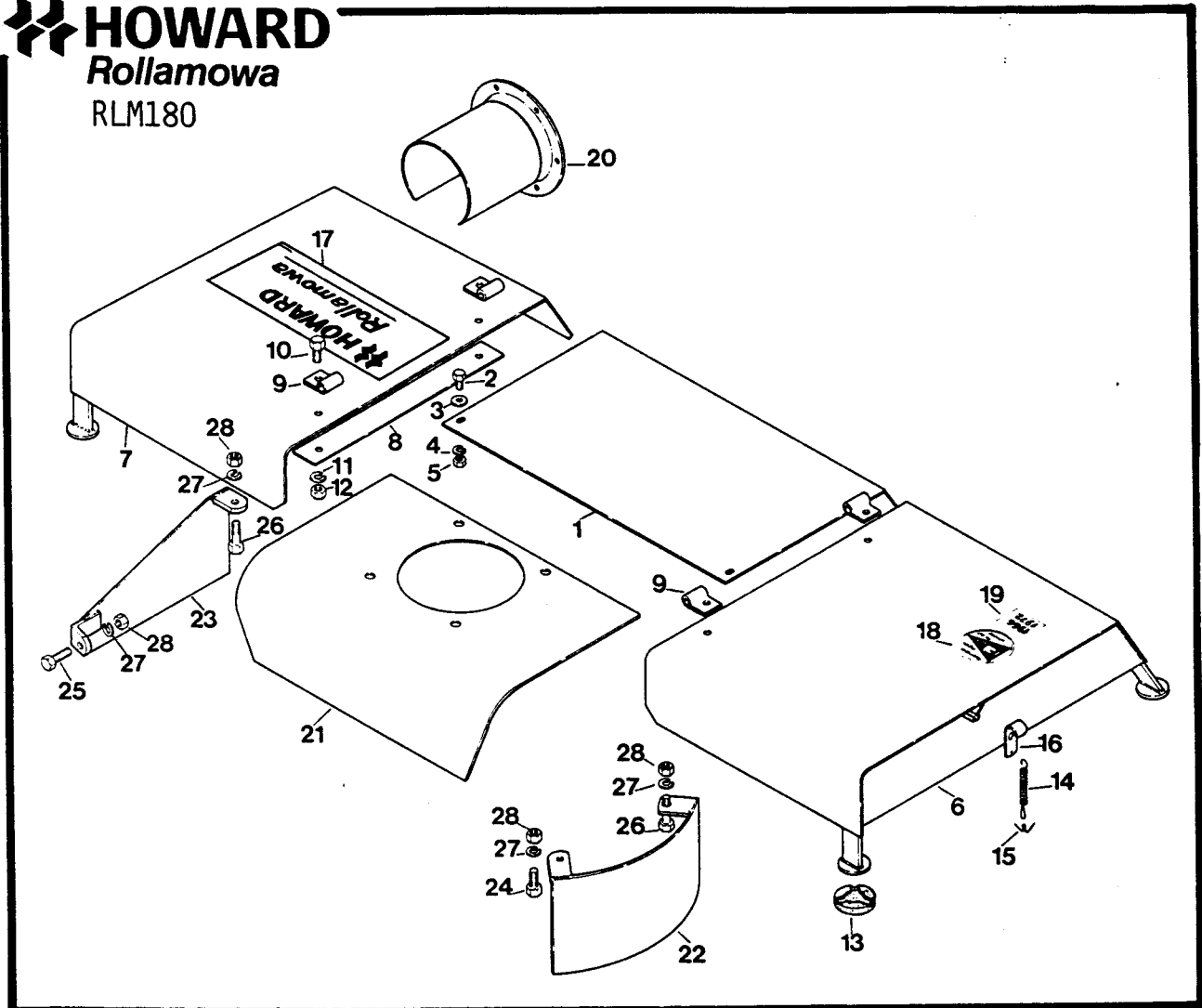
Item	Part No.	Description	Qty.	Item	Part No.	Description	Qty.
				REF. PAGE 7.			
BYPY	204057096	DRIVE SHAFT ASSY	NLA	53	208008750	Woodruff Key	3
HARDY	SPICER - 70542	Drive Shaft Assembly	NLA	54	203026120	Belleville Washer	3
		consist of items 1 through 12		55	107114050	Slotted Nut $\frac{7}{8}$ " UNF Hex	3
"	70557	Drive Shaft Assembly	NLA	56	208016350	Split Pin M3.2 x 32	3
		consist of items 1 through 12		57	77840	Housing	3
1	70540	P.T.O. Yoke	2	58	203031180	Plug $\frac{3}{8}$ " BSP	6
2	70363	Lock Pin Kit	2	59	301212405	Bolt M12 x 40 Hex G8.8	10
3	70529	Universal Joint	2	60	301212455	Bolt M12 x 45 Hex G8.8	2
4	70560	Inner Shaft	1	61	308120045	Spring Washer M12	12
5	70549	Outer Shaft	1	62	307212015	Nut M12 Hex G8	12
6	202030030	Grease Nipple	1	63-64	77842	Spindle Assembly - 30 mm	3
7	-	Inner Cover	1			- Spindle	3
7-12	70576	COVER SET	1	63			3
8	70485	Joint Cover	1	64		77846 Journal	3
9	70486	Slipper	2	65	253062169	Bearing #6206RS	3
10	-	Outer Cover	1	66	77847	Spacer - bearing	3
11	70489	Joint Cover	1	67	253062161	Bearing - #6206	3
12	70490	Slipper	2	68	266240103	Oil Seal #MI P3 655	3
Note* use on Massey Ferguson MF165 and MF178				69	266240104	Oil Seal #MI P3 103	3
				70	74557	Felt Seal	3
				71	77850	Belt Tensioner	1
				72	77854	Bracket	1
				73	307212015	Nut M12 Hex G8	2
				74	204006640	V Belt #B95	2
				75	77848	Pivot Bracket	2
				76	308200060	Flat Washer M20	2
				77	208016350	Split Pin M3.2 x 32	2
				78	202030830	Grease Nipple M8 x 90°	2
				79	74572	Tension Screw	2
				80	74689	Spring	2
				81	209025490	Flat Washer $\frac{1}{2}$ "	2
				82	307212015	Nut M12 Hex G8	2
				83	77855	Jockey Roller	2
				84	77856	Spacer - pulley	4
				85	77853	Spacer - pivot bracket	4
				86	252052155	Bearing #6304 2RS	2
				87	208001300	Circlip M52 Int.	2
				88	301212905	Bolt M12 x 90 Hex G8.8	2
				89	308120045	Spring Washer M12	2
				90	307212015	Nut M12 Hex G8	2
				91	78014	Blade Beam	3
				† 92	77957	Blade - L/D	6
				† 93	74586	Blade Bolt - L/D	6
				94	74763	Nut Shield	6
				† 95	107206195	Locknut $\frac{3}{8}$ " UNC - L/D	6
				96	74728	Stiffening Strip	3
				97	301212455	Bolt M12 x 45 Hex G8.8	6
				98	308120045	Spring Washer M12	6
				99	307212015	Nut M12 Hex G8	6
				100	77993	Beam Support	3
				† 92	78016	BLADE - H/D	6
				† 93	78015	BLADE BOLT - H/D	6
				† 95	307210115	NUT - H/D	6
13	74939	Input Housing	1				
14	262214043	Oil Seal	1				
15	251425071	Bearing #LM48510/LM48548	1				
16	74466	Gasket .003"	As Req.	76	308200060	Flat Washer M20	2
	74467	Gasket .014"	As Req.	77	208016350	Split Pin M3.2 x 32	2
17	301410255	Setscrew M10 x 25 Hex G8.8	6	78	202030830	Grease Nipple M8 x 90°	2
18	308100045	Spring Washer M10	6	79	74572	Tension Screw	2
19	74453	Thrust Washer	1	80	74689	Spring	2
20	74940	Input Shaft	1	81	209025490	Flat Washer $\frac{1}{2}$ "	2
21	74454	Crownwheel 29T	1	82	307212015	Nut M12 Hex G8	2
22	251119062	Bearing #L44610/L44649	1	83	77855	Jockey Roller	2
23	74941	Shim 0.08mm	As Req.	84	77856	Spacer - pulley	4
24	74942	Shim 0.25mm	As Req.	85	77853	Spacer - pivot bracket	4
25	74455	Pinion 16T	1	86	252052155	Bearing #6304 2RS	2
26	107116050	Slotted Nut 1" UNF Hex	1	87	208001300	Circlip M52 Int.	2
27	208010810	Split Pin M5 x 40	1	88	301212905	Bolt M12 x 90 Hex G8.8	2
28	76931	Spindle	1	89	308120045	Spring Washer M12	2
29	251526071	Bearing # LM29710/LM29749	1	90	307212015	Nut M12 Hex G8	2
30	74953	Cone Washer	1	91	78014	Blade Beam	3
31	251731071	Bearing # LM603011/LM603049	1	† 92	77957	Blade - L/D	6
32	263121052	Oil Seal - inner	1	† 93	74586	Blade Bolt - L/D	6
33	263121053	Oil Seal - outer	1	94	74763	Nut Shield	6
34	74544	Pulley 18" P.C.D.	1	† 95	107206195	Locknut $\frac{3}{8}$ " UNC - L/D	6
35	74559	Key	1	96	74728	Stiffening Strip	3
36	74560	Clamping Washer	1	97	301212455	Bolt M12 x 45 Hex G8.8	6
37	301212355	Bolt M12 x 35 Hex G8.8	1	98	308120045	Spring Washer M12	6
38	308122045	Spring Washer M12	1	99	307212015	Nut M12 Hex G8	6
39	74943	Gearbox	1	100	77993	Beam Support	3
40	301216405	Bolt M16 x 40 Hex G8.8 (Aust)	4				
	301216455	Bolt M16 x 45 Hex G8.8 (U.K.)	4	† 92	78016	BLADE - H/D	6
41	308160045	Spring Washer M16	4	† 93	78015	BLADE BOLT - H/D	6
42	307216015	Nut M16 Hex G8	4	† 95	307210115	NUT - H/D	6
43	74954	Cover	1				
44	74955	Gasket	1				
45	53654	Filler Plug	1				
46	301410255	Setscrew M10 x 25 Hex G8.8	4				
47	308100045	Spring Washer M10	4				
48	203031170	Drain Plug $\frac{1}{4}$ " BSP	1				
49	208056490	Oil Level Window	1				
N.I.	70680	Transfer - P.T.O. speed	1				
50	77837	Pulley - 30 mm	2				
51	77838	Pulley - 30 mm	1				
52	77839	Spacer	2				



Mounting Brackets, Body & Rollers

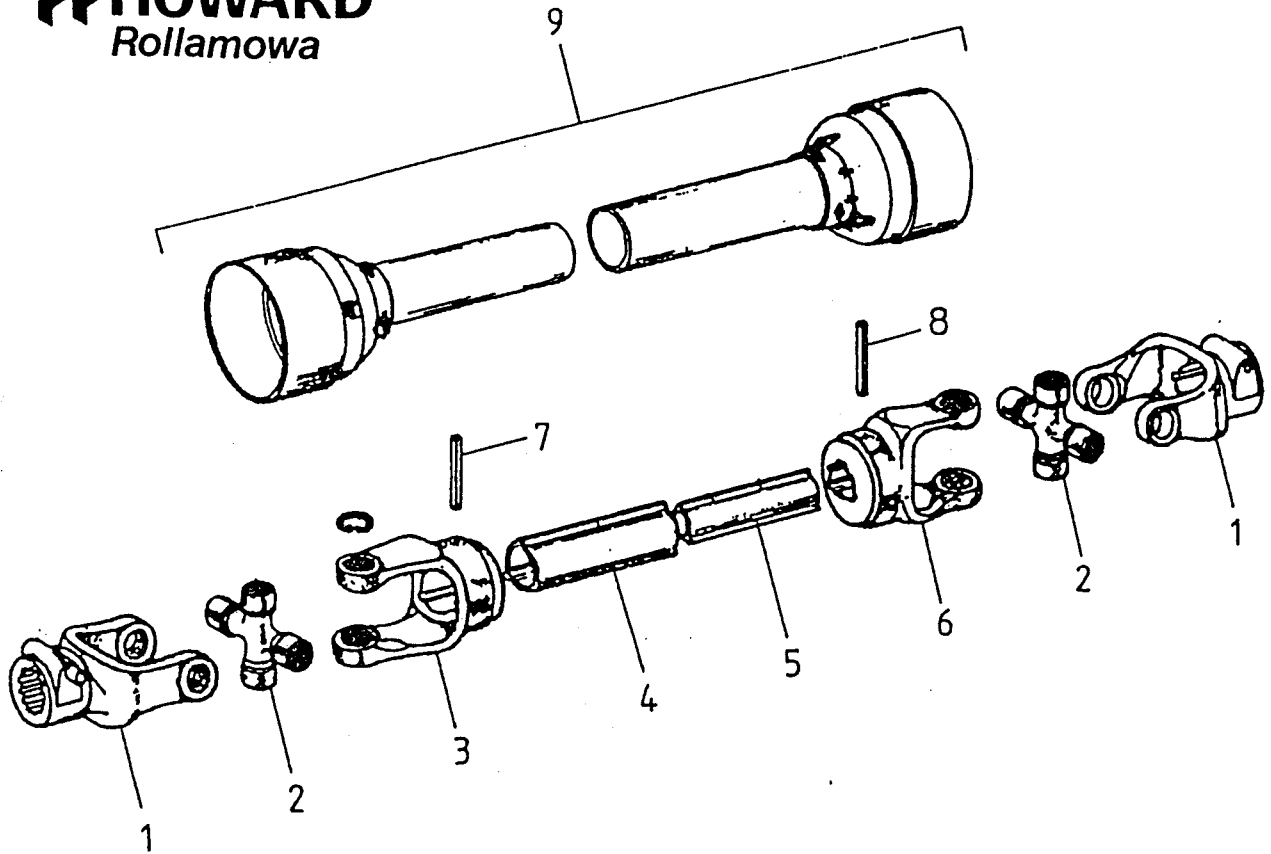


Item	Part No.	Description	Qty.	Item	Part No.	Description	Qty.
1	77804	Body	1	70	307212015	Nut M12 Hex G8.8	8
2	74855	Side Skid	2	71	77791	Strip Washer	2
3	70666	Transfer	4				
4	75940	Height Indicator	2				
5	77812	Adjusting Screw	4				
6	307212115	Locknut M12 - cone	4				
7	301416455	Setscrew M16 x 45 G8.8	4				
8	308160045	Spring Washer M16	4				
9	307216015	Nut M16 Hex	4				
10	77815	Rubber Skirt	1				
11	74542	Support Strip	1				
12	301406205	Setscrew M6 x 20 Hex G8.8	9				
13	Not allocated						
14	307206055	Nyloc Nut M6	9				
15	77809	Rear Guard	1				
16	301412255	Setscrew M12 x 25 Hex G8.8	3				
17	308120045	Spring Washer M12	3				
18	307212015	Nut M12 Hex G8	3				
19	77825	Mounting Bracket	1				
20	301212355	Bolt M12 x 35 Hex G8.8	4				
21	308120045	Spring Washer M12	4				
22	307212015	Nut M12 Hex	4				
23	77816	Mounting Bracket L.H.	1				
24	77817	Mounting Bracket R.H.	1				
25	301412255	Setscrew M12 x 25 Hex G8.8	13				
26	308120045	Spring Washer M12	13				
27	308120060	Flat Washer M12	13				
28	307212015	Nut M12 Hex G8	13				
29	79802	Hitch Pin	2				
30	108162645	Spring Washer 1"	2				
31	208057130	Nut 1" SAE	2				
32	77867	Mast	2				
33	72877	Bush	2				
34	301216505	Bolt M16 x 50 Hex G8.8	2				
35	308160070	Flat Washer M16	2				
36	308160045	Spring Washer M16	2				
37	307216015	Nut M16 Hex G8	2				
38	72872	Spacer	1				
39	77868	Rear Stay	2				
40	101110405	Bolt $\frac{5}{8}$ " UNF x 5" Hex H.T.	1				
41	108101745	Spring Washer $\frac{5}{8}$ "	1				
42	107110015	Nut $\frac{5}{8}$ " UNF Hex	1				
43	301216505	Bolt M16 x 50 Hex G8.8	2				
44	308160045	Spring Washer M16	2				
45	307216015	Nut M16 Hex G8	2				
46	70071	Hitch Pin	1				
47	610661	Cotter Assembly	1				
48	74856	Roller - 1 $\frac{3}{16}$ DIA	2				
49	74859	Retaining Plate	4				
50	78615	Shim	As Req.				
51	75619	Felt Seal	4				
52	251246151	Bearing Assembly # SMUCFL-206	4				
		Including bearing, housing & dust cap					
53	202030060	Grease Nipple $\frac{1}{4}$ " UNF x 45°	4				
54	77778	Bearing Guard	2				
55	101107125	Bolt $\frac{7}{16}$ " x 1 $\frac{1}{2}$ " Hex H.T.	8				
56	108071245	Spring Washer $\frac{7}{16}$ "	8				
57	107107015	Nut $\frac{7}{16}$ " UNF Hex	8				
58	301412305	Setscrew M12 x 30 Hex G8.8	4				
59	308120045	Spring Washer M12	4				
60	307212015	Nut M12 Hex	4				
61	77789	Support L.H. centre	1				
62	77790	Support R.H. centre	1				
63	301412305	Setscrew M12 x 30 Hex G8.8	2				
64	308120045	Spring Washer M12	2				
65	307212015	Nut M12 Hex G8	2				
66	77999	Support	4				
67	301412305	Setscrew M12 x 30 Hex G8.8	4				
68	301412355	Setscrew M12 x 35 Hex G8.8	4				
69	308120045	Spring Washer M12	8				



Safety Guards & Deflectors

Item	Part No.	Description	Qty.	Item	Part No.	Description	Qty.
1	77865	Guard - centre	1				
2	301406165	Setscrew M6 x 16 Hex G8.8	4				
3	308060060	Flat Washer M6	4				
4	308060045	Spring Washer M6	4				
5	307206015	Nut M6 Hex	4				
6	77859	Guard L.H.	1				
7	77862	Guard R.H.	1				
8	77864	Strip	2				
9	50726	Hinge	4				
10	301412255	Setscrew M12 x 25 Hex G8.8	4				
11	308120045	Spring Washer M12	4				
12	307212015	Nut M12 Hex	4				
13	73290	Cap	4				
14	71098	Spring	2				
15	208016350	Split Pin M3.2 x 32	2				
16	73193	Clip	2				
17	70648	Transfer	1				
18	70630	Transfer	1				
19	70656	Transfer	1				
20	77800	Guard - yoke	1				
21	77803	Guard - drive pulley	1				
22	77830	Deflector - curved	2				
23	77833	Deflector - straight	1				
24	301412305	Setscrew M12 x 30 Hex G8.8	3				
25	301412305	Setscrew M12 x 30 Hex G8.8	1				
26	301212355	Bolt M12 x 35 Hex G8.8	2				
27	308120045	Spring Washer M12	6				
28	307212015	Nut M12 Hex G8	6				



UNIVERSAL DRIVE SHAFT

ITEM	PART NO.	DESCRIPTION	QTY
1-9	204057096	Shaft Assembly	1
1	204051440	Yoke	2
2	204056906	Cross Kit	2
3	204051410	Yoke - Outer Tube	1
4	204052060	Outer Tube	1
5	204052070	Inner Tube	1
6	204051420	Yoke - Inner Tube	1
7	204056907	Roll Pin - Outer Tube	1
8	204056908	Roll Pin - Inner Tube	1
9	204055915	Cover Set	1