



# Ezeemow EM

## PARTS LIST

### General Information

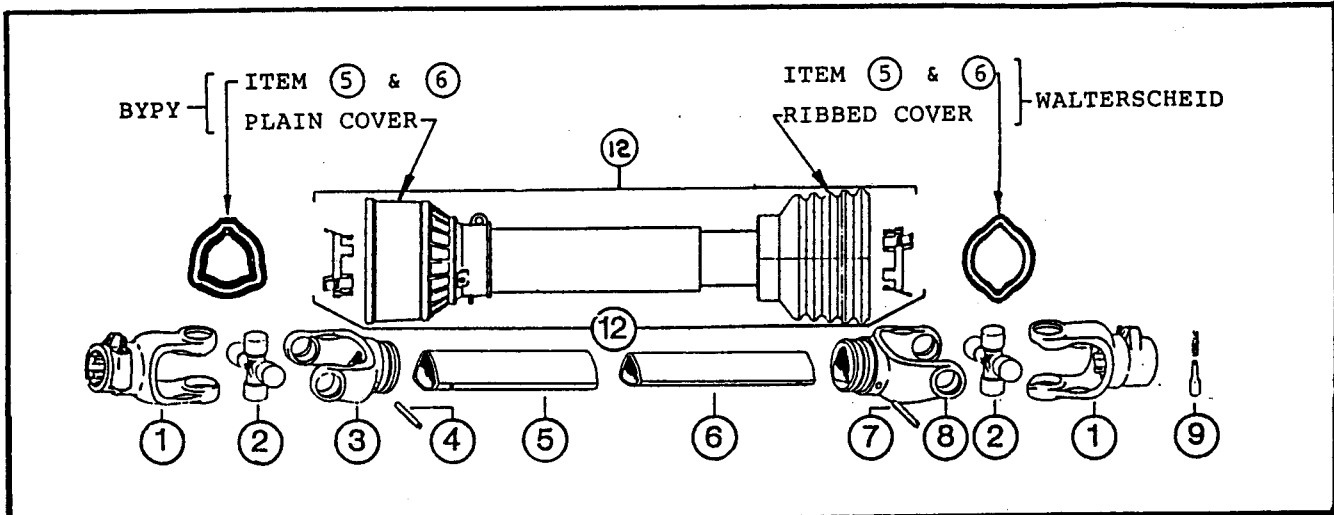
Serial No. Prefix EM.....

Serial number is located on front RH side of frame.

### Special Notes:

- |    |                     |          |                         |
|----|---------------------|----------|-------------------------|
| ↖  | Left Hand           | λ        | Alternative             |
| ↗  | Right Hand          | *        | Change since last print |
| ▲  | Upper               | 306357x6 | Quantity                |
| ▼  | Lower               | 306357#  | Quantity as required    |
| ↖↗ | Width               | ≡        | Only for                |
| ↖↗ | Length              | ≡        | Central                 |
| ↖↗ | From serial number  | ≡        | Offset                  |
| ↖↗ | Up to serial number | Z        | Number of teeth         |
| ↻  | rpm                 |          |                         |

Catalogue no.	Issue	Page Affected
77101	5/90	New Issue



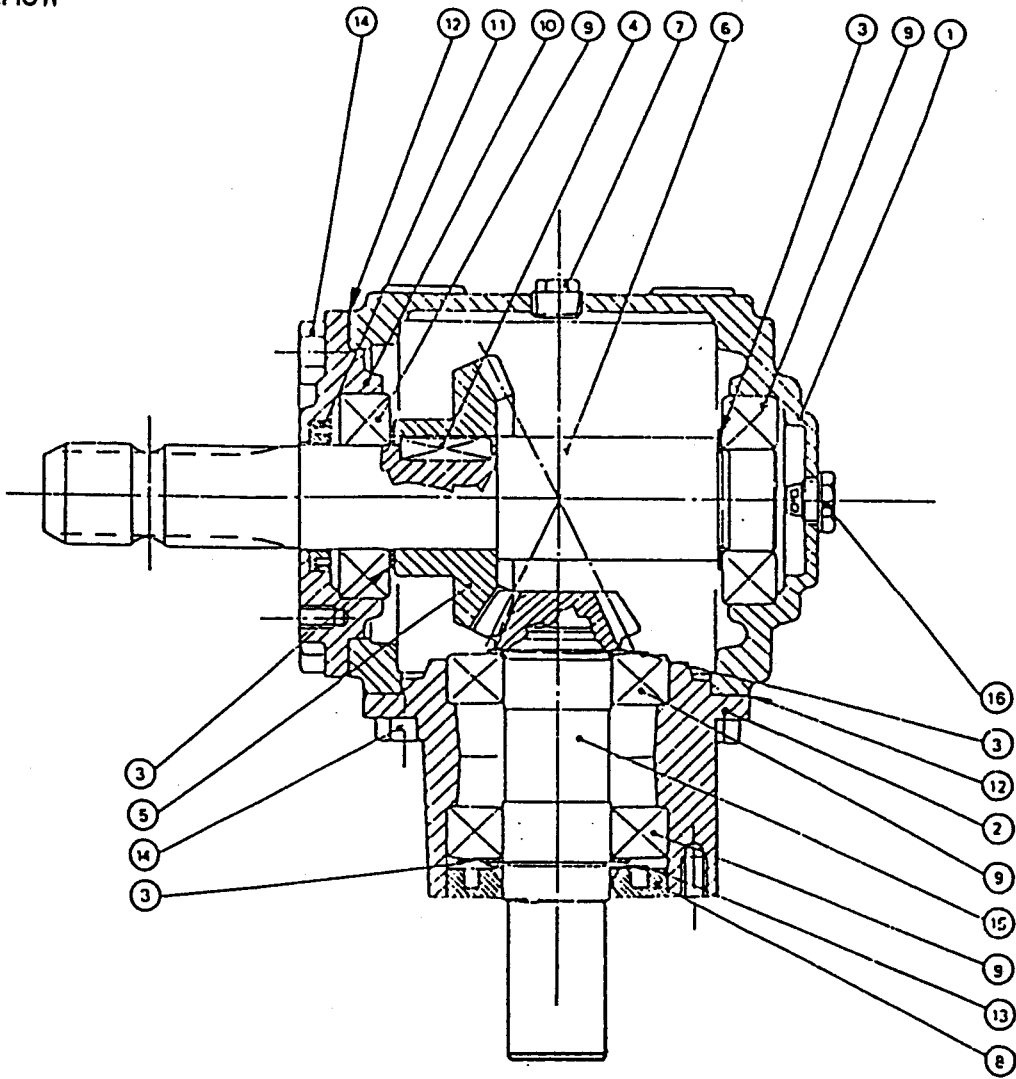
MACHINE		EZEEMOW		MOWCRAFT (STD)*		MOWCRAFT (HD)		MULCHMASTA	
SHAFT		616339		616443		616444		616444	
ITEM	PART	BYPY 102	W'SCHEID W2100	BYPY 105	W'SCHEID W2300	BYPY 106	W'SCHEID W2400	BYPY 106	W'SCHEID W2400
1)	END YOKE	204051790	10.10.00	78228	21.10.00	204051080 20405108A	204047770	204051080 20405108A	204047770
2)	CROSS JOURNAL	204056610	10.01.00	78229	21.00.00	204056380	204046830	204056380	204046830
3)	OUTER TUBE YOKE	204052015 c/w 3,4,5	10.49.00	78234	21.12.00	204051060	35.14.00 204047901	204051060	35.14.00
4)	OUTER ROLL PIN		64.04.01	78235 208012715	61.05.04	208089370	61.05.08	208089370	61.05.08
5)	OUTER DRIVE TUBE		75.12.00	78233	75.15.00	204054080	75.35.00	204054080	75.35.00
6)	INNER DRIVE TUBE	204052016 c/w 6,7,8	75.06.00	78231	75.11.00	204054090	75.25.00	204054090	75.25.00
7)	INNER ROLL PIN		64.04.01	78232 208012715	61.05.04	208089240	61.05.08	208089240	61.05.08
8)	INNER TUBE YOKE		10.48.00	78230	21.11.00	204051070	35.13.00 204047902	204051070	35.13.00
9)	LOCK PIN KIT	204056290	204012850	204056290	204012850	204056290	204012850	204056290	204012850
12)	COVER SET COMPLETE	204055051	85-008-1000	78236	85-100-1000	204055020	82-158-1000	204055020	82-158-1000

\* NOTE: Some larger Mowcraft fitted with HD MOWCRAFT Drive Shaft.

Check for series on cross journal (item 2)  
 BYPY 102 series has 2 embossed on cross  
 BYPY 105 series has 5 embossed on cross  
 BYPY 106 series has 6 embossed on cross  
 WALTERSHIELD has cross journal part number embossed on cross

+ 20405108A - PINCH BOLT YOKE

EZEEMOW

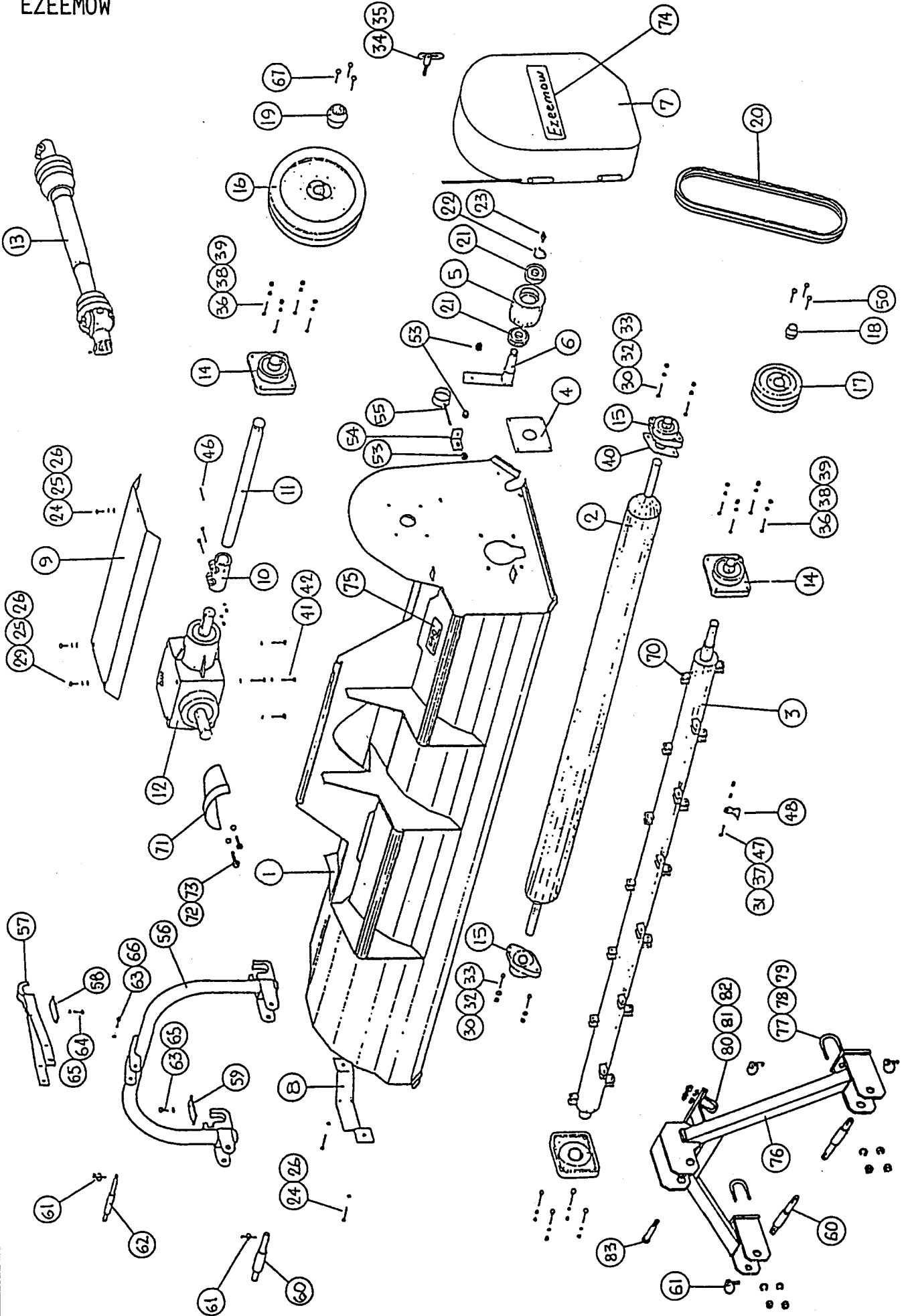


**GEARBOX**

ITEM	PART NO.	DESCRIPTION	QTY
1-16	616338	Gearbox Assembly(T-19A)	1
1	616342	Gearcase	1
2	616343	Housing	1
3	616355	Shim	As Req
4	8.4.1.00057	Key	1
5	616352	Crownwheel	1
6	616346	Shaft	1
7	203031030	Plug 3/8"	1
8	267235101	Seal	1
9	253572171	Bearing	4
10	616344	Housing	1
11	265235071	Seal	1
12	0.259.7200.00	Gasket	2
13	208102280	Circlip	1
14	301412255	Bolt M12 x 25	8
15	616347	Pinion/Shaft	1
16	8.6.4.00673	Window/Oil level indicator	1

Note: Ezeemow gearbox.

EZEEMOW



# BODY EZEEMOW

ITEM PART NO.	DESCRIPTION	QTY	ITEM PART NO.	DESCRIPTION	QTY
1	-	1	46	208012360 Pin	1
2	616336 Roller EM115	1	47	616324 Bush	
	616303 " EM135	1		EM115/24, EM135/28	
	616304 " EM155	1		EM155/32, EM185/40	
	616305 " EM185	1	48	616325 Flail - Standard	
3	616337 Rotor EM115 (a)	1	616334	Flail - Hard Faced	
	616306 " EM135 (a)	1		EM115/24, EM135/28	
	616307 " EM155 (a)	1		EM155/32, EM185/40	
	616308 " EM185 (a)	1	50	301208405 Bolt EM115-155	3
4	616309 Shield	1		301208605 Bolt EM185	3
5	616310 Pulley EM115-155	1	53	307212055 Nut-coneloc	3
	616356 " EM185	1	54	616326 Bracket	1
6	616311 Idler Shaft	1	55	616327 Adjuster	1
7	616312 Guard Assy	1	56	- Mast (Refer Item 76)	
8	616313 Guard	1	57	616359 Hook	1
9	616314 Cover (c)	1	58	616360 Clamp	1
10	616315 Coupling Assy (b)	1	59	616331 Clamp	1
11	616316 Jackshaft (c)	1	60	616332 Pin Lower Cat 1 & 2	2
12	616338 Gearbox Assy (d)	1	61	610661 Cotter Assy	3
13	616339 Shaft Assy (e)	1	62	616333 Pin Upper Cat 1 & 2	1
14	616317 Bearing Assy	3	63	301210305 Bolt M10 x 30	2
15	616318 Bearing Assy(251039142)	2	64	301212405 Bolt M10 x 40	4
16	616319 Pulley EM115-155	2	65	308100045 Washer M10	3
	EM185	3	66	307210055 Nut M10	2
17	616320 Pulley EM115-155	2	67	301206405 Bolt EM115-155	3
	EM185	3		301206605 Bolt EM185	3
18	616321 Bush	1	70	616357 Lug (Weld on) As req	
19	616322 Bush	1	71	616531 Guard	1
20	204006090 V Belt EM115-155	2	72	301408165 Bolt M8 x 16	2
	EM185	3	73	308080015 Washer M8	2
21	253072197 Bearing	2	74	70734 Transfer 'Ezeemow'	2
22	208002370 Circlip	1	75	70680 Transfer '540 RPM'	1
23	202030060 Grease Nipple	1	NI	70685 Transfer 'Howard'	1
24	301208205 Bolt M8 x 20	3	76	616328 Headstock Assembly	1
25	308080015 Washer M8	3		Comprises Items 76-82	
29	101406065 Bolt	2	77	616455 U Bolt	2
30	301210405 Bolt M10 x 40	4	78	307212015 Nut M12	4
31	301210405 Bolt M10 x 40		79	308120045 Washer M12	4
	EM115/24, EM135/28		80	616362 U Bolt ← 616688	1
	EM155/32, EM185/40		81	307216015 Nut M16	2
32	307210015 Nut M10	4	82	308160045 Washer M16	2
33	308100045 Washer M10	4	83	70071 Pin Upper Cat 1	1
34	T8040 Drop Latch	1			
35	307212055 Nut M12	2			
36	301212355 Bolt M12 x 35	12			
37	307210115 Nut M10				
	EM115/24, EM135/28				
	EM155/32, EM185/40				
38	307212015 Nut M12	12			
39	308120045 Washer M12	12			
40	616323 Plate	1			
41	101206085 Bolt	2			
	101206065 Bolt	2			
42	108061145 Washer	4			

(a) Rotor P/N includes flails(Item 48) bushes(Item 47) and fixing bolts.

(b) Coupling Assembly includes bolts and nuts.

(c) Jackshaft & Cover supplied is to suit widest machine, it may be necessary to cut them to length.

(d) Refer Gearbox parts list page

(e) Refer Driveshaft parts list page