



Finger Rake TR6

PARTS LIST

General Information

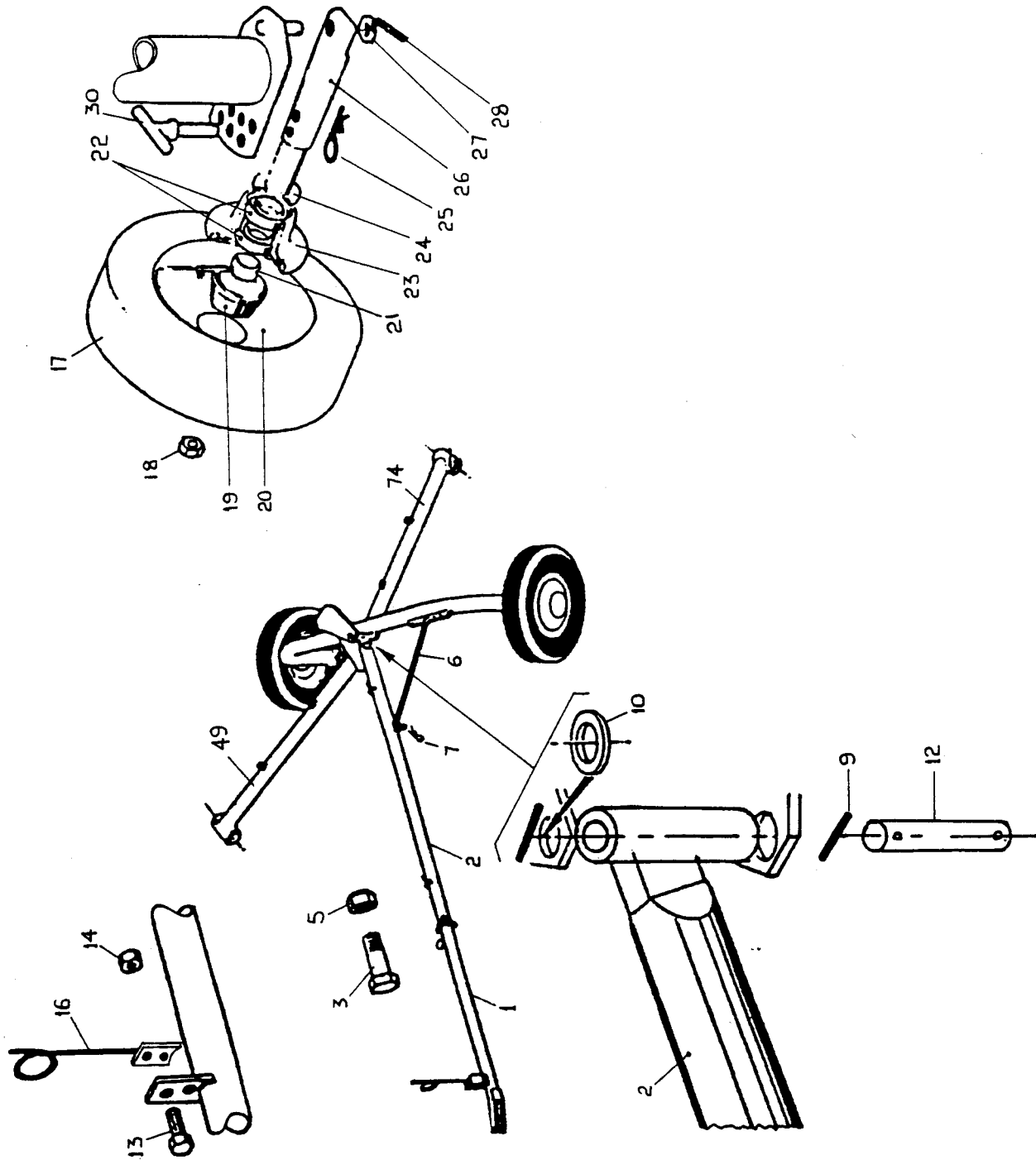
Serial No. Prefix TR6.....up to serial no. 4497H
 Serial number is located on front RH side of frame.

Special Notes:

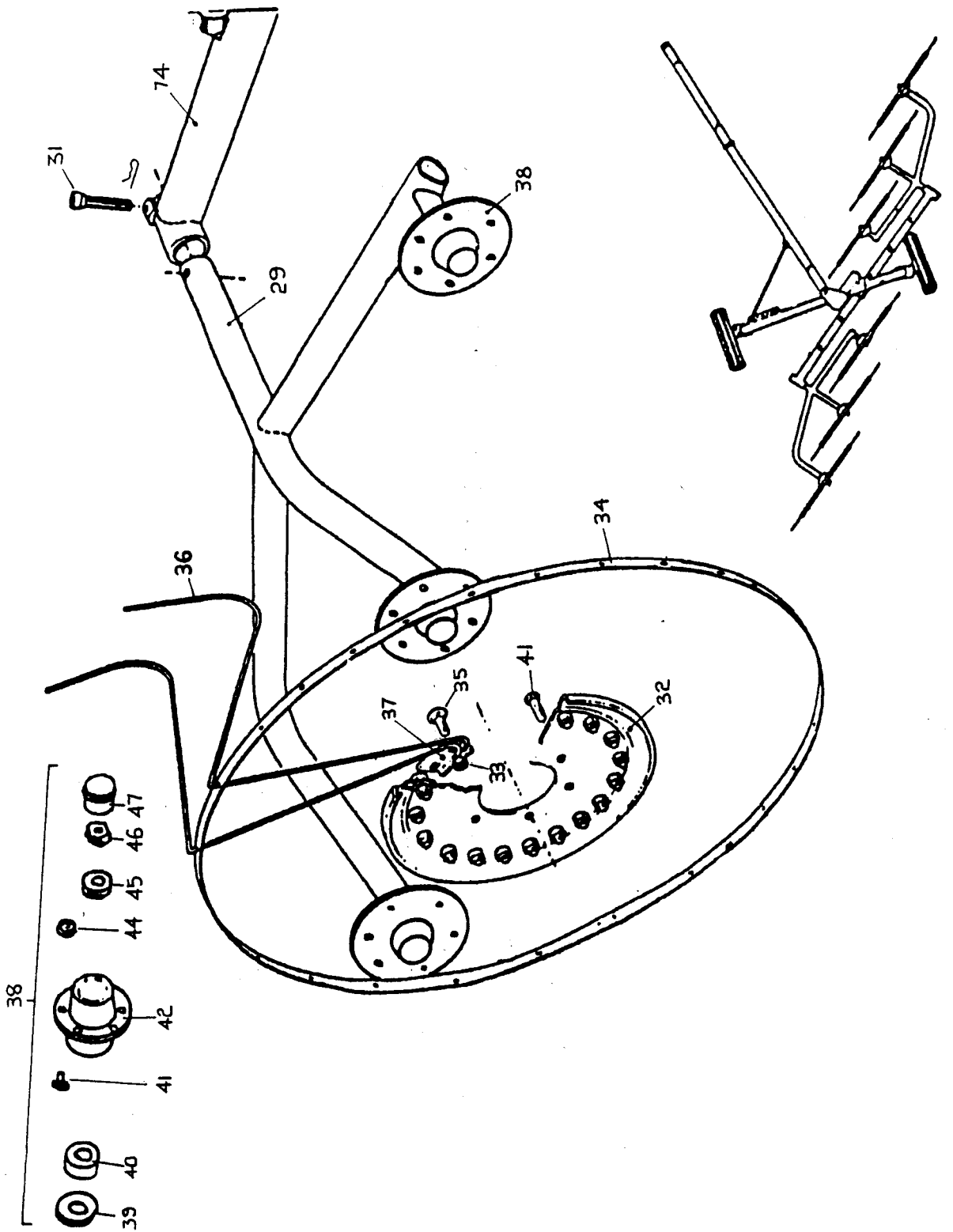
- | | | | |
|----|---------------------|----------|-------------------------|
| ◀ | Left Hand | ◀ | Alternative |
| ▶ | Right Hand | * | Change since last print |
| ▲ | Upper | 306357x6 | Quantity |
| ▼ | Lower | 306357# | Quantity as required |
| ◀▶ | Width | ≠ | Only for |
| ▲▼ | Length | ≠ | Central |
| → | From serial number | ≠ | Offset |
| ← | Up to serial number | Z | Number of teeth |
| ↺ | rpm | | |

Catalogue no.	Issue	Page Affected
TR6	5/90	New Issue

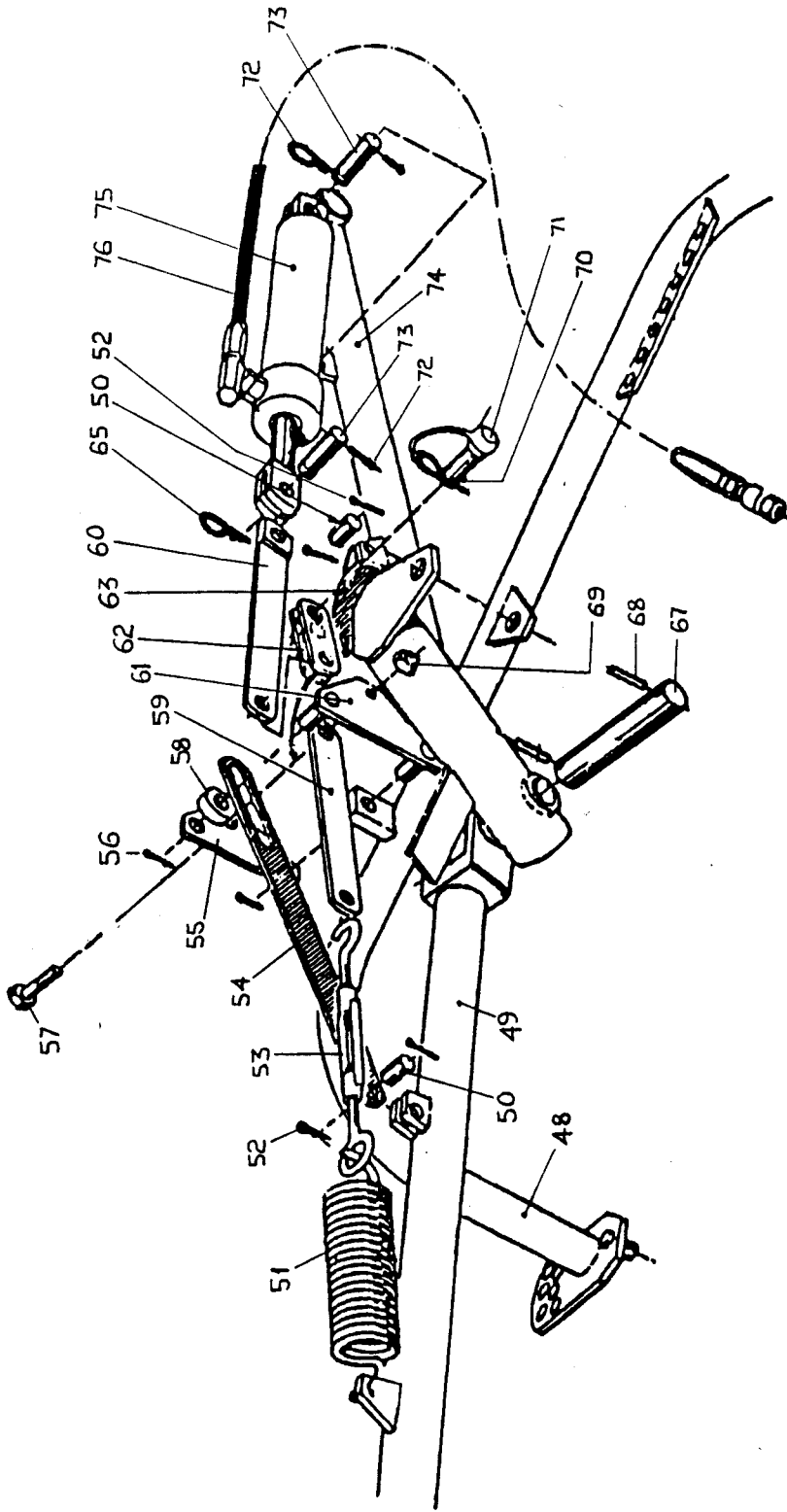
TR6 RAKE



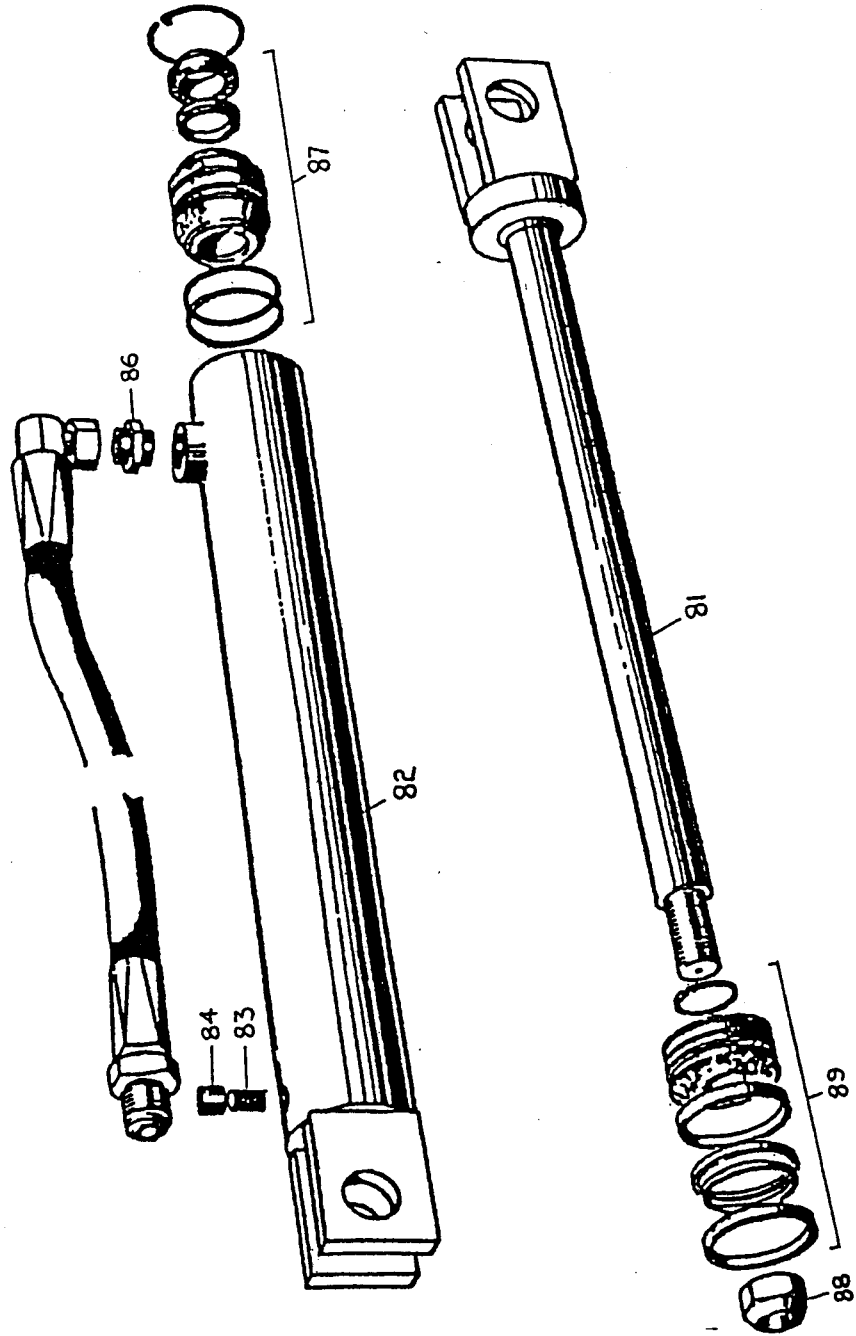
TR6 RAKE



TR6 RAKE



TR6 RAKE



TR6 RAKE

ITEM	PART NO.	DESCRIPTION	QTY	ITEM	PART NO.	DESCRIPTION	QTY
1	FW201	DRAWBAR - FRONT	1	50	FW250	PIN	2
2	FW202	DRAWBAR - REAR	1	51	FW251	SPRING	1
3	301214455	BOLT M14 x 4.5	3	52	208014030	R CLIP	4
4	-			53	FW253	TURNBUCKLE	1
5	307214055	SELFLOCKING NUT M14	3	54	FW254	LEVER	1
6	FW206	ROD	1	55	FW255	PLATE	1
7	208014040	R CLIP	2	56	208014030	R CLIP	2
8	-			57	301214705	BOLT M14 x 70	2
9	FW209	TENSION PIN 14 x 80	2	58	FW258	SPACER	2
10	FW210	SPECIAL WASHER	2	59	FW259	LEVER	1
11	-			60	FW260	LEVER	1
12	FW212	PIN	1	61	FW261	PLATE c/w PINS	1
13	301410255	SETScrew	2	62	FW262	CONNECTOR	1
14	307210055	SELF LOCKING NUT M10	2	63	FW263	LEVER	1
15	-			64	-		
16	FW216	BRACKET	1	65	208014030	R CLIP	4
17	FW217	TYRE P195/75D14	2	66	-		
18	FW218	WHEEL NUT	10	67	FW267	PIVOT PIN	1
19	FW219	HUB CAP	2	68	FW268	TENSION PIN 14x80 (FW209)	2
20	FW220	RIM 6J x 14	2	69	307214055	NYLOC NUT M14	2
21	FW221	SPACER	2	70	FW270	CLIP	2
*22	FW222	BEARINGS	4	71	FW271	PIN	2
23	FW223	HUB	2	72	208014030	R CLIP	4
24	FW224	RING	2	73	FW273	PIN	2
25	208014040	R CLIP	2	74	FW274	ARM	1
26	FW226	AXLE	2	75	FW275	HYDRAULIC CYLINDER	1
27	FW227	SPECIAL WASHER	2	76	FW276	HOSE ASSEMBLY	1
28	208089220	TENSION PIN 10 x 50	2	77	-		
29	FW229	FRAME - FINGER WHEEL CARRIER	2	78	-		
30	FW225BIS	PIN	2	79	-		
31	FW231	PIN (& R CLIP 208014030)	2	80	-		
*32	FW005	FLANGE PLATE	6	81	-	CYLINDER STEM	1
*33	307210015	NUT M10	6x20	82	-	CYLINDER BODY	1
*34	FW007	RIM	6	83	FW283	AIR DISCHARGE FILTER	1
*35	FW035	BOLT -TYNE FIXING	6x20	84	FW284	AIR FILTER CAP	1
*36	FW002	TYNE	6x40	85	-		
*37	FW004	PLATE - CLAMP	6x10	86	-	NIPPLE	1
38	FW034	HUB ASSY INCL. AXLE (ITEMS 39-41)	6	87	FW287	ROD SEAL KIT	1
39	FW001	DUST COVER	6	88	-	NUT	1
40	252552156	BEARING	6	89	FW289	PISTON SEAL KIT	1
41	301410255	SETScrew M10 x 25	36				
42	FW003	HUB	6				
43	-						
44	307210055	NUT-SELF LOCKING M10	36				
45	252047151	BEARING	6				
46	307218055	NUT - NYLOC - M18	6				
47	FW006	CAP	6				
48	FW248	FRAME	1				
49	FW049	ARM	1				

*32-37 FW036 WHEEL ASSY
 *22 Bearing INNER 30209A/OUTER 30206 ID 30MM