



# Haytrix 300

## PARTS LIST

### General Information

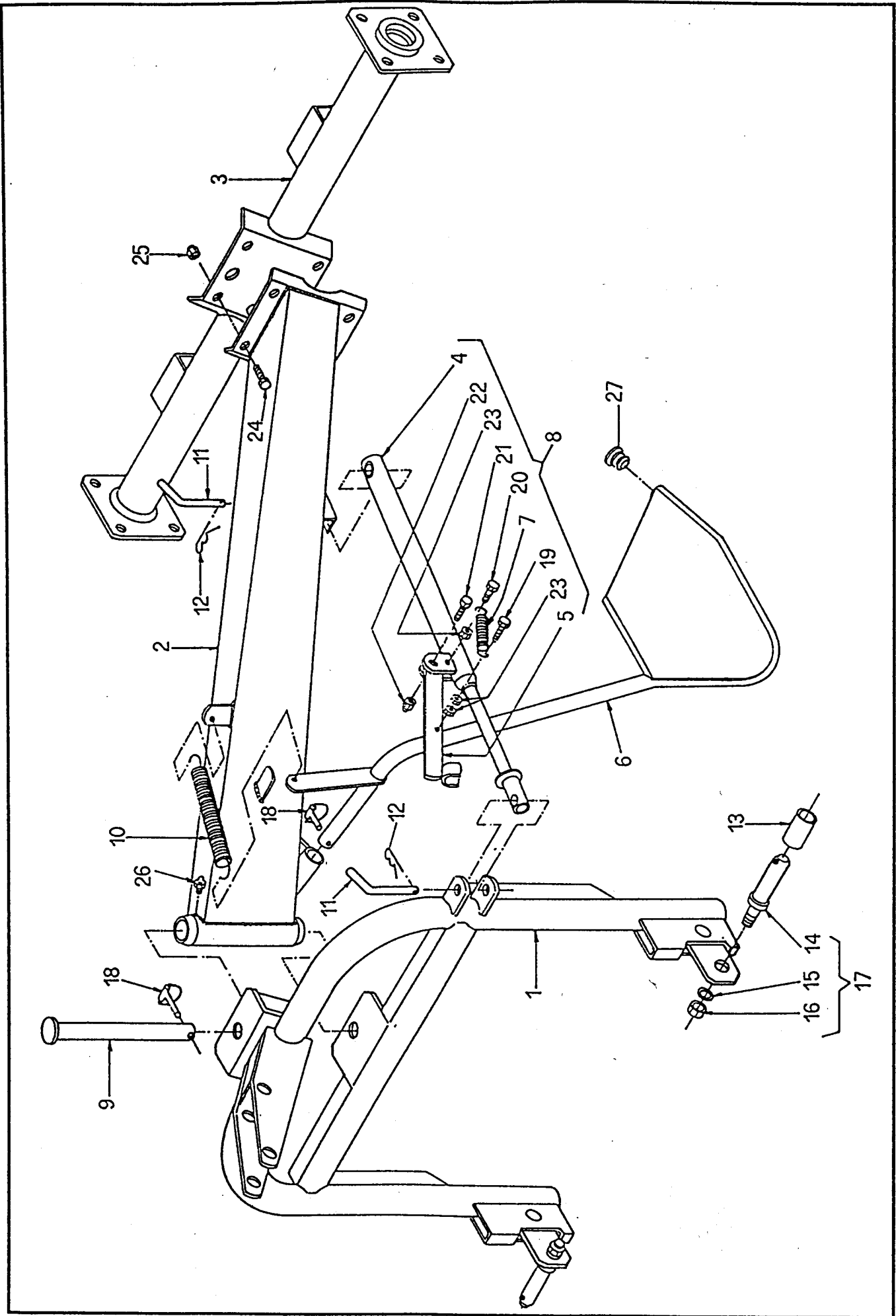
Serial No. Prefix HT.....

Serial number is located on front RH side of frame.

### Special Notes :

- |   |                    |          |                         |
|---|--------------------|----------|-------------------------|
| ▲ | Left Hand          | ◁        | Alternative             |
| ▼ | Right Hand         | *        | Change since last print |
| ▲ | Upper              | 306357x6 | Quantity                |
| ▼ | Lower              | 306357#  | Quantity as required    |
| ▲ | Width              | ≡        | Only for                |
| ▼ | Length             | ⊥        | Central                 |
| ▲ | From Serial Number | ⊥        | Offset                  |
| ▼ | To Serial Number   | Z        | Number of teeth         |
| ↺ | rpm                |          |                         |

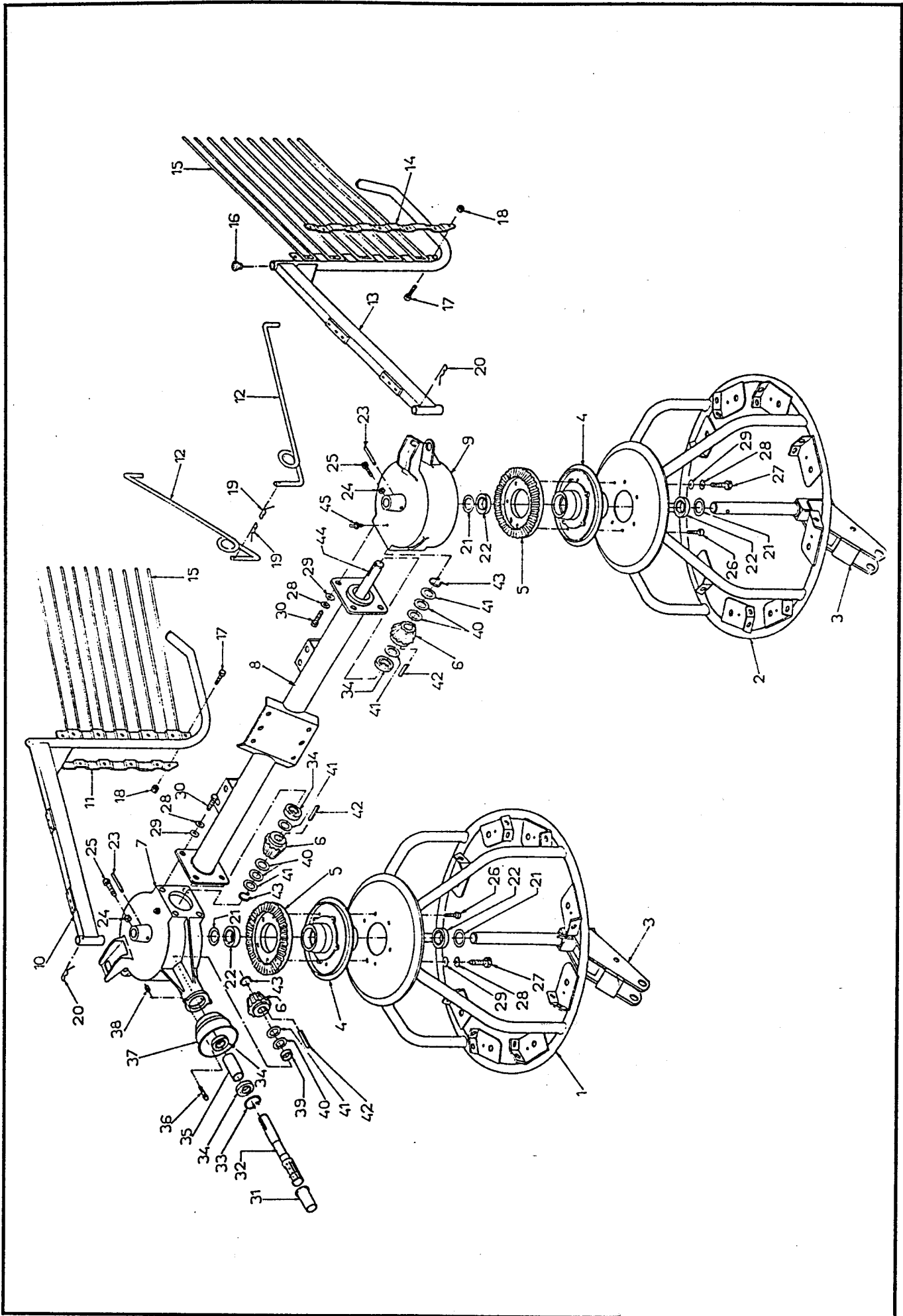
Catalogue no.	Issue	Page Affected
77090	5/90	New Issue
"	1/94	1-9



HEADSTOCK & FRAME - HT300

## HEADSTOCK & FRAME - HT300

Item	Part No.	Description	Qty	Previous Part No.
1	S200.254	Headstock	1	S300/1
2	S200.255	Main Frame	1	S300/14
3	S200.256	Housing	1	S300/31
4	S200.248	Shock Absorber Body	1	S300/3
5	S200.288	Shock Absorber Lock	1	S300/7
6	S200.259	Divider	1	S300/11
7	S200.278	Spring	1	S300/6
8	S200.264	Shock Absorber Assy	1	-
9	S200.238	Pin	1	S300/17
10	S200.279	Spring	1	S300/15
11	S200.239	Pin	2	S300/9
12	208014030	R Clip	2	-
13	54463	Sleeve Cat 1-2	2	-
14	S105.091	Pin	2	-
15	S600.214	Spring Washer	2	-
16	S600.249	Nut	2	-
17	S100.010	Pin Assy	2	-
18	610661	Cotter Assy	2	-
19	S600.640	Setscrew	2	-
20	S600.054	Setscrew	1	-
21	301216455	Bolt M16 x45	1	-
22	307212015	Nut M16	1	-
23	S600.050	Nut	3	-
24	301414305	Setscrew M14 x 30	4	-
25	307214015	Nut M14	4	-
26	202030760	Grease Nipple	1	-
27	S200.309	Plug	1	-



ROTOR GEARBOX - HT300

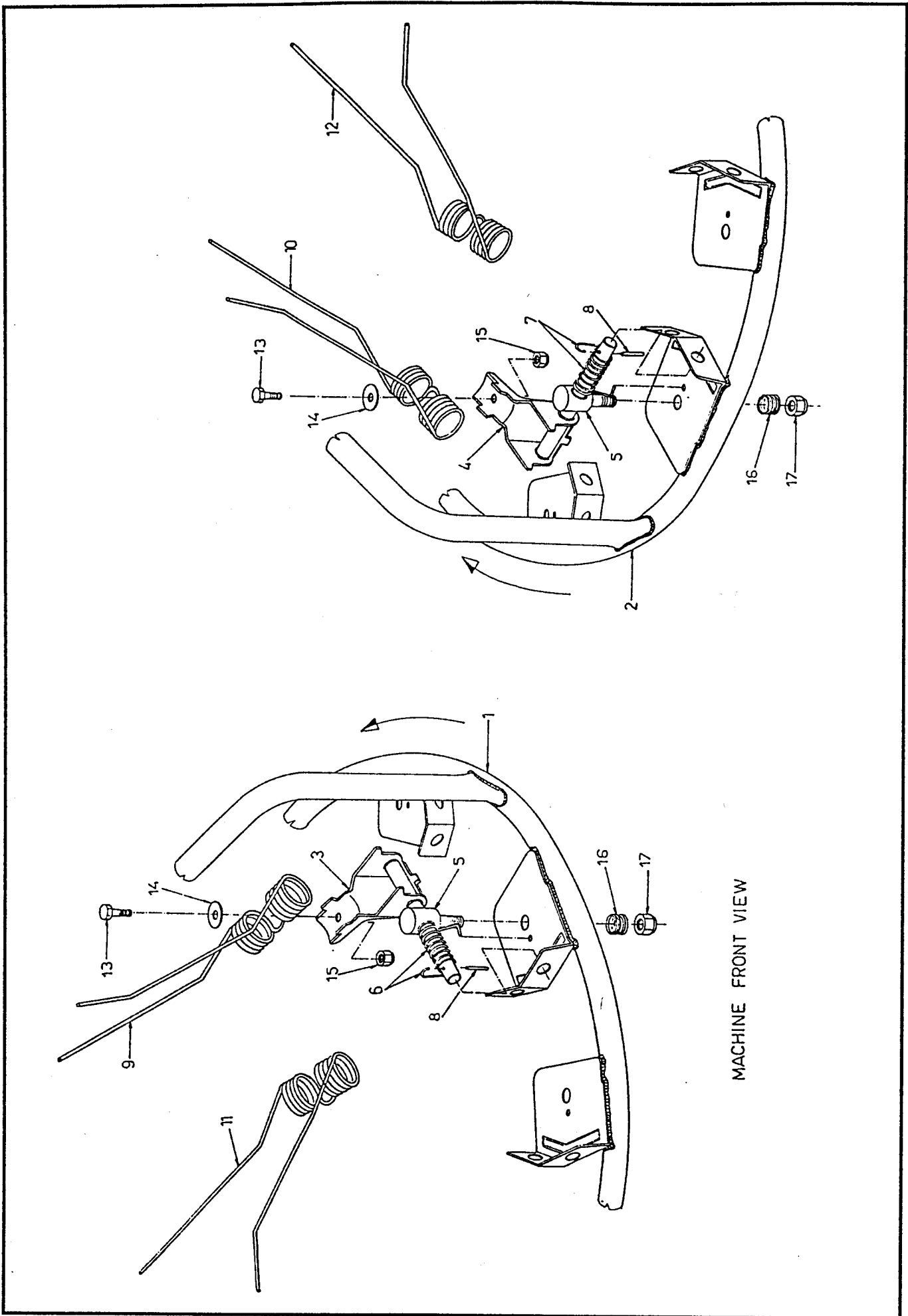
# ROTORS & GEARBOX ASSY - HT300

7/93

Item	Part No.	Description	Qty	Previous Part No.
1	S200.257	Rotor RH	1	S300/19R (Old style)
2	S200.258	Rotor LH	1	S300/19L (Old style)
3	S200.253	Wheel Support	2	S300/73
4	S200.267	Flange	2	S300/23
»5	S200.244	Crownwheel	2	S300/54
»6	S200.243	Pinion	3	S300/56
7	S200.265	Gearcase RH	1	S300/35
8	S200.256	Housing	1	S300/31
9	S200.266	Gearcase LH	1	S300/30
10	S200.260	Swath Deflector Frame RH	1	S300/27R
11	S200.262	Swath Tine Clamp RH	1	-
12	S200.276	Spring	2	S300/29
13	S200.261	Swath Deflector Frame LH	1	S300/27L
14	S200.263	Swath Tine Clamp RH	1	-
15	S200.283	Swath Tine	10	S300/24
16	S200.309	Cap	4	-
17	301410205	Setscrew M10 x 20	14	-
18	307210015	Nut M10	14	-
19	20814030	R Clip	2	-
20	20814050	R Clip	2	-
21	S200.274	Shim	4	-
22	253572175	Bearing	4	-
23	208012980	Spring Pin	2	-
24	307212015	Nut M12	2	-
25	301212405	Bolt M12 x 40	2	-
26	301410305	Setscrew M10 x 30	4	-
27	301212605	Bolt M12 x 60	10	-
28	308120035	Washer M12 Lock	18	-
29	308120015	Washer M12 Flat	18	-
30	301212405	Bolt M12 x 40	8	-
31	S600.172	Cap	1	-
32	S200.240	Shaft	1	S300/59
33	S600.612	Circlip	1	-
34	253062165	Bearing	4	-
35	S200.249	Spacer	1	-
36	S600.236	Setscrew	2	-
37	S600.171	Guard	1	-
38	S600.472	Nut	2	-
39	S200.250	Spacer	1	-
40	S200.273	Shim	5	S300/53
41	S200.272	Shim	5	S300/53
42	S600.610	Key	3	S300/58
43	208002370	Circlip	3	-
44	S200.241	Shaft	1	S300/60
45	202030760	Grease Nipple	3	-

## » SERVICE NOTES

5,6 Backlash 0.1 - 0.25mm (.004" - .010")

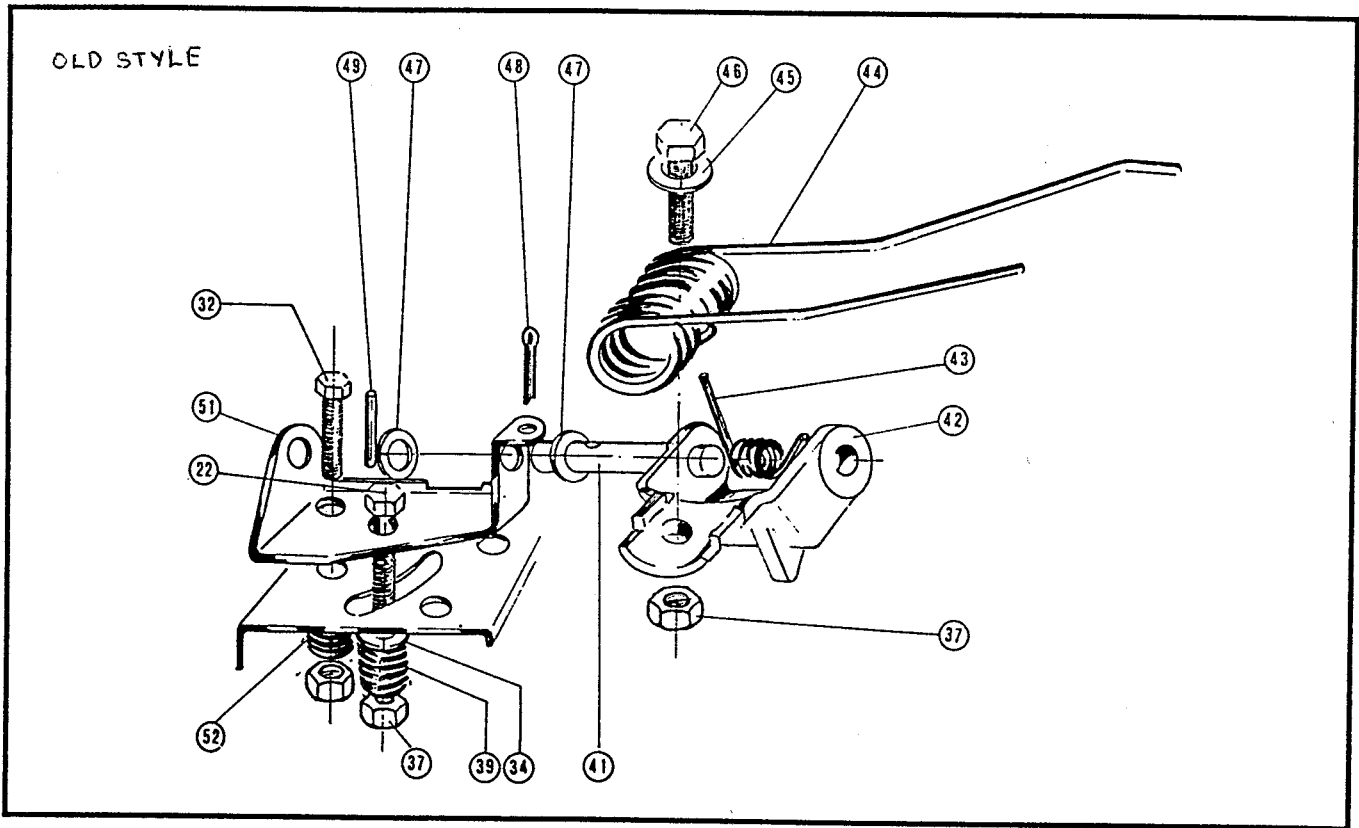


MACHINE FRONT VIEW

# ROTORS & TINES - HT300

7/93

Item	Part No.	Description	Qty	Previous Part No.
1	S200.257	Rotor RH	1	S300/19R (Old style)
2	S200.258	Rotor LH	1	S300/19L (Old style)
3	S200.289	Tine Holder RH	10	S300/81R
4	S200.290	Tine Holder LH	10	S300/81L
5	S200.236	Pin	20	S300/78
6	S200.281	Spring RH	10	S300/77R
7	S200.282	Spring LH	10	S300/77L
8	208089410	Tension Pin	20	S300/79
9	S200.284	Tine RH Parallel/Narrow	5	S300/64
10	S200.285	Tine LH Parallel/Narrow	5	S300/44
11	S200.287	Tine RH Open	5	S300/65
12	S200.286	Tine LH Open	5	S300/63
13	301212405	Bolt M12 x 40	20	-
14	S600.092	Washer	20	S300/45
15	307212055	Self Locking Nut M12	20	-
16	S200.280	Spring	20	S300/52
17	307214055	Self Locking Nut 14	20	-

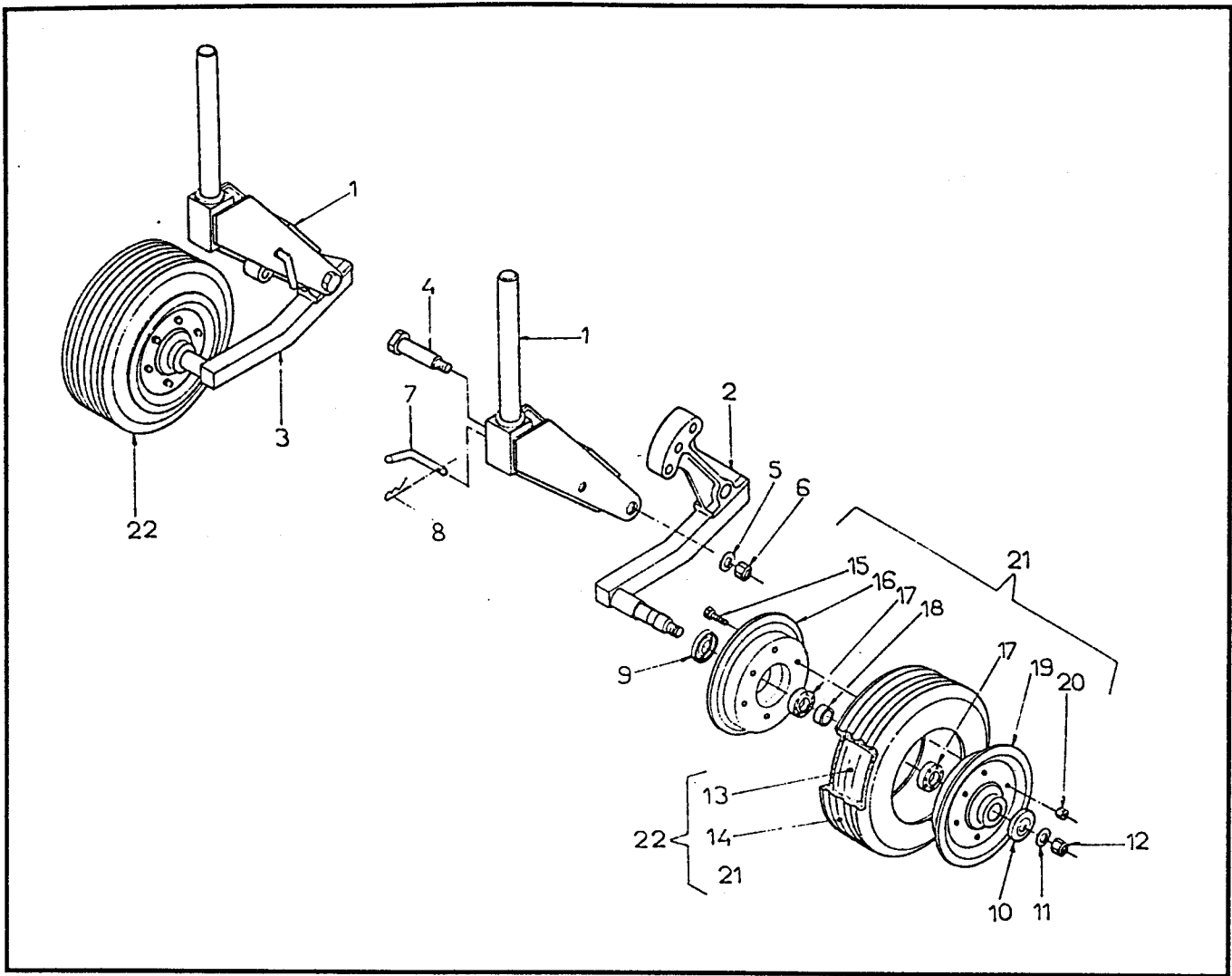


## TINE & MOUNTING - HT300 - Old style

7/93

Item	Part No.	Description	Qty	Item	Part No.	Description	Qty
*	S300/37-51L	Tine Mounting Assy LH	10	43	S300/43	Spring	20
*	S300/37-51R	Tine Mounting Assy RH	10	45	S600.092	Washer (Was S300/45)	20
22	301212605	Bolt M12 x 60	20	46	301212405	Bolt M12 x 40	20
32	301212405	Bolt M12 x 40	20	47	308160015	Washer M16	40
34	S300/34	Washer	20	48	208010860	Split Pin	20
37	307212055	Locknut M12	60	49	208089410	Tension pin	20
39	S300/79	Spring	20	51	S300/51L	Bracket LH	10
41	S300/41	Shaft	20		S300/51R	Bracket RH	10
42	S300/42	Tine Holder	20	52	S200.280	Spring (Was S300/52)	20

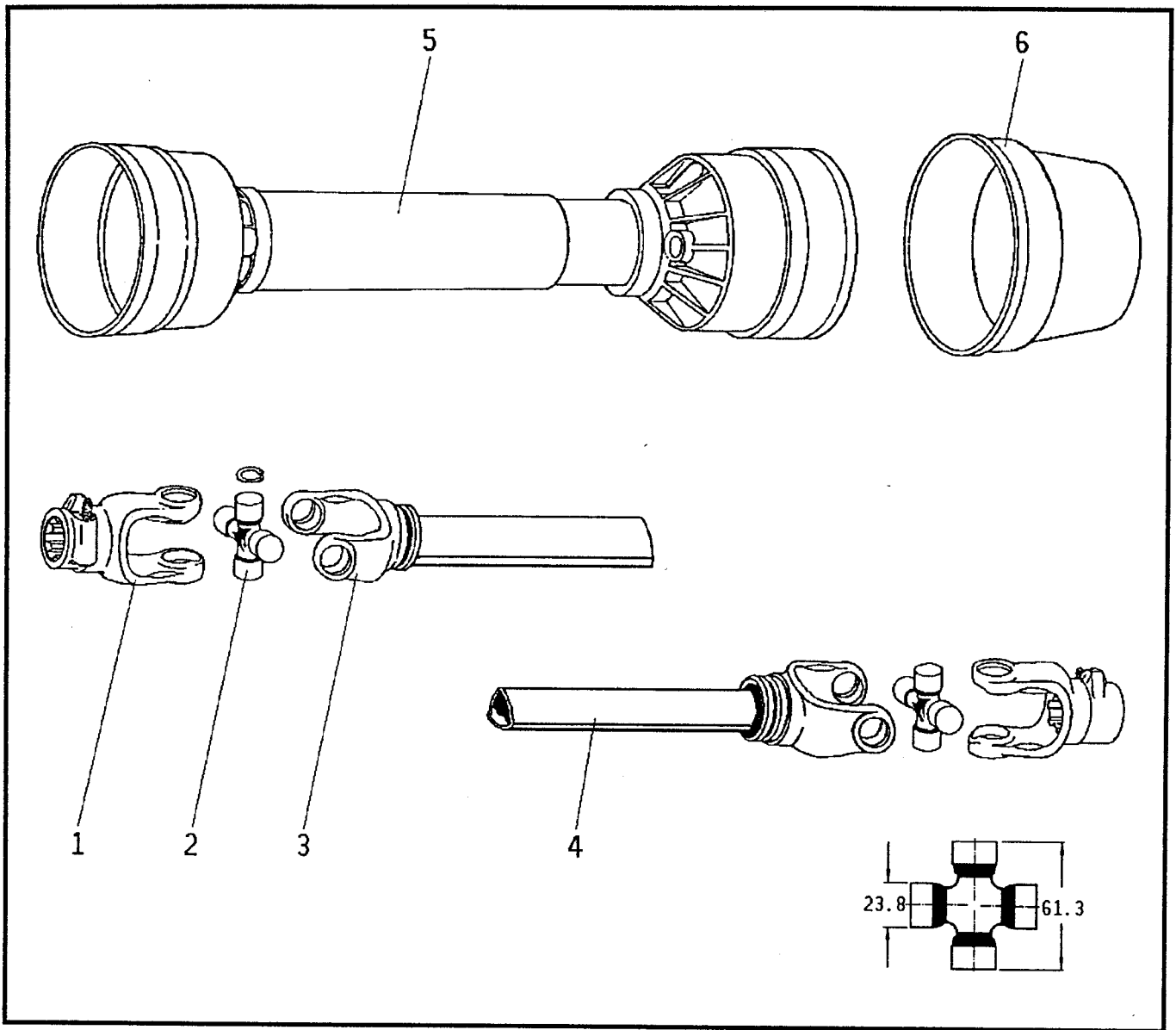
\*(Includes items 37-43, 47-51)



## WHEELS - HT300

7/93

Item	Part No.	Description	Qty	Previous Part No.
1	S200.253	Bracket	2	S300/73
2	S200.268	Axle RH	1	S300/71R (Old style - circlip fixing)
3	S200.269	Axle LH	1	S300/71L (Old style - circlip fixing)
4	S200.237	Pin	2	S300/66
5	307220015	Washer	2	-
6	307220055	Self-Locking Nut M20	2	-
7	S200.239	Pin	2	S300/9
8	208014030	R Clip	2	-
9	S200.246	Inner Dust Cover	2	-
10	S200.247	Outer Dust Cover	2	-
11	S600.031	Washer	2	← 308160065
12	S600.629	Self-Locking Nut	2	← 307216055
13	S600.638	Tube 15x6.00 - wide	2	S300/69.1 (Old style - 8x3.50 - narrow)
14	S600.639	Tyre 15x6.00 - wide	2	S300/69 (Old style - 8x3.50 - narrow)
15	S600.650	Screw	12	-
16	S600.653	Rim - Inner Half	2	-
17	252552158	Bearing	4	-
18	S200.245	Spacer	2	-
19	S600.654	Rim - Outer Half	2	-
20	S600.652	Self-Locking Nut	12	-
21	S600.637	Rim Assy (less item 22)	2	S300/76 (Old style - 8x3.50 narrow)
22	S200.295	Wheel Assy	2	-



## DRIVE SHAFT - HT300

7/93

Item	Part No.	Description	Qty	Previous Part No.
1-6	S300/900	Shaft Assy	1	-
1	204051790	Yoke	2	S300/901
2	204056610	Cross Kit	2	S300/902
3	S300/903	Yoke & Shaft - Inner	1	-
4	S300/904	Yoke & Shaft - Outer	1	-
5	S300/905	Guard Assy	1	-
6	78088	Guard	1	S300/906