

5/2008

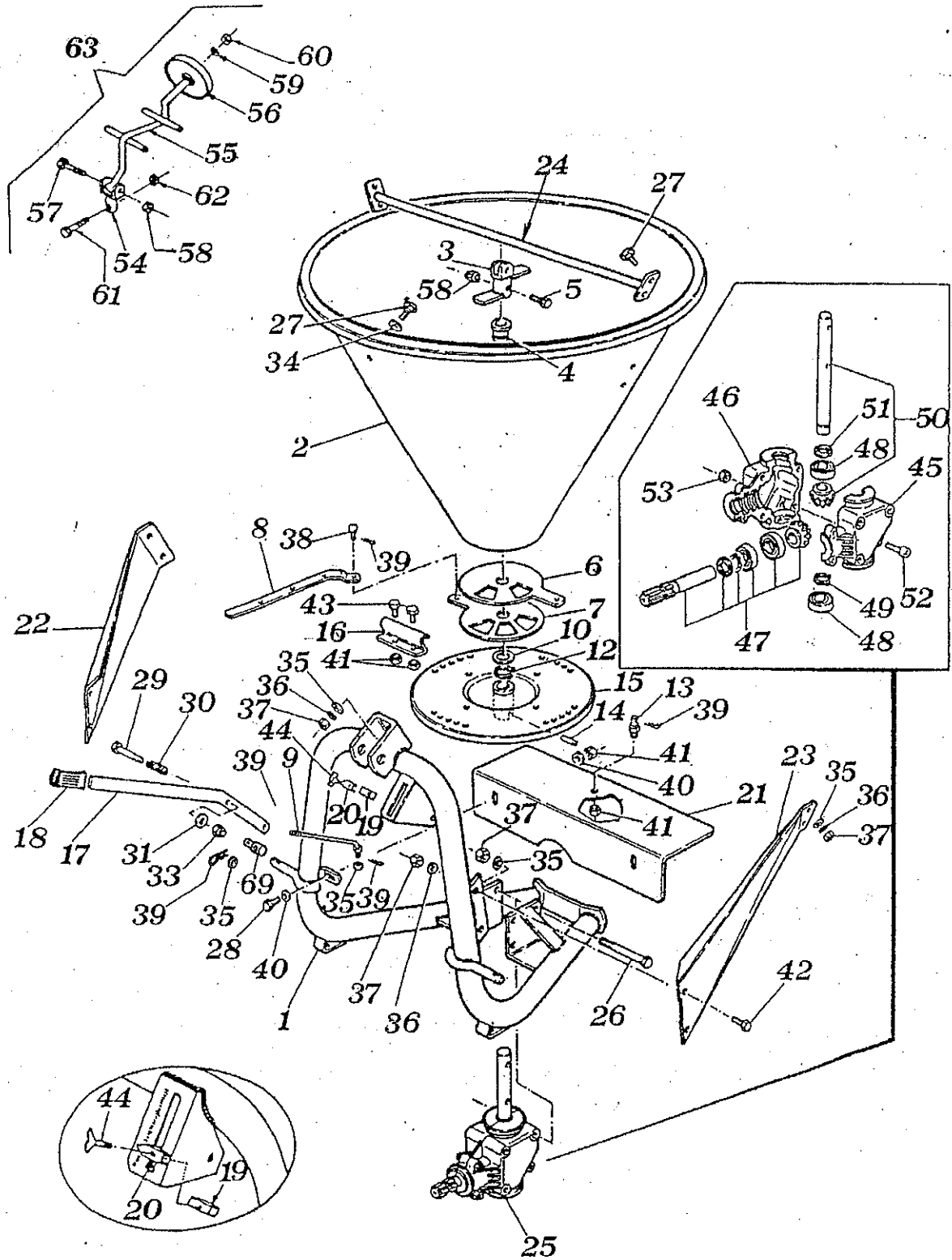


AGRICULTURAL MACHINERY
sitrex®
Spa

***SPARE PARTS LIST
ASSEMBLY
USE AND MAINTENANCE***

FS SPREADER

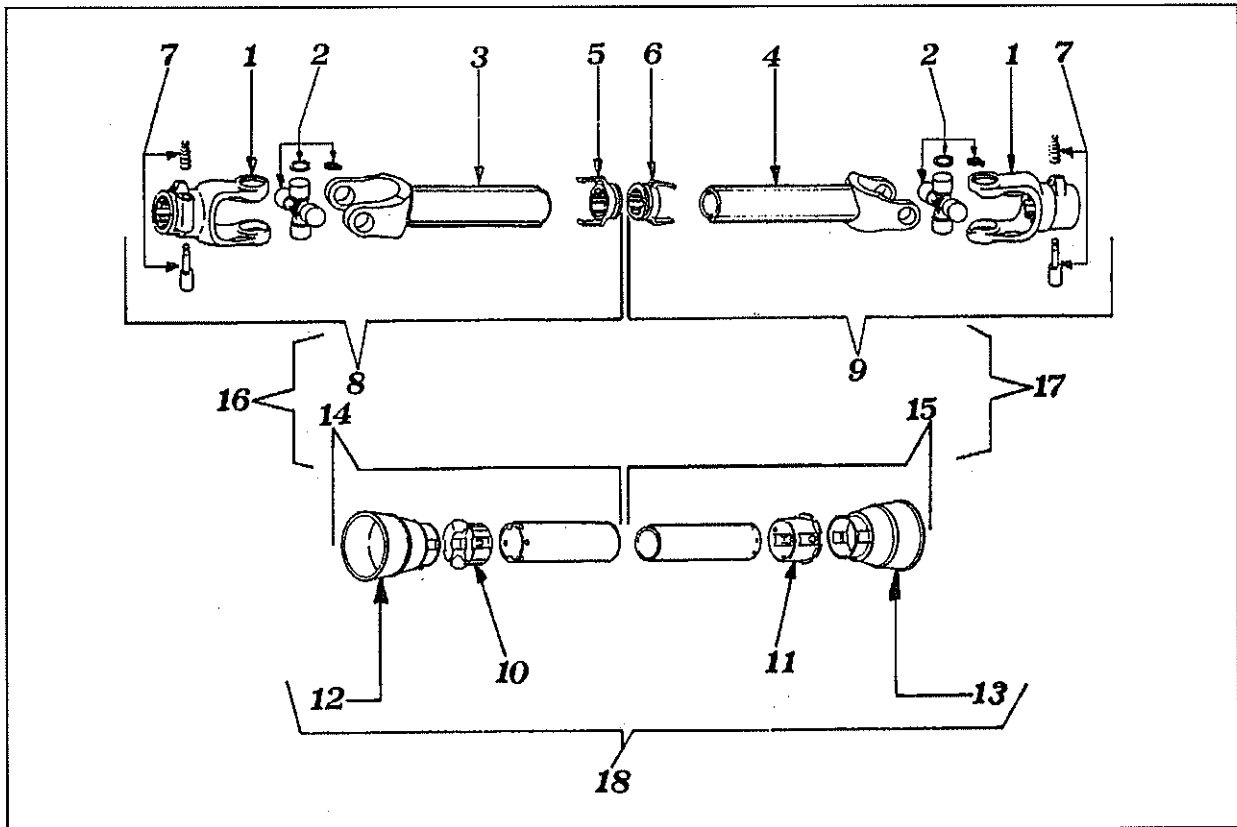
SPARE PARTS LIST



20

SPARE PARTS LIST - LISTE DBS PIECES DETACHEES				
Part.No.-Réf	Qty. - Qté	Code	DESCRIPTION	DESCRIPTION
1	1	400.050	Frame	Châssis
2	1	400.051	FS 50 Hopper	Trémie FS 50
2	1	400.052	FS 100 Hopper	Trémie FS 100
2	1	400.053	FS 150 Hopper	Trémie FS 150
2	1	400.054	FS 250 Hopper	Trémie FS 250
2	1	400.055	FS 300 Hopper	Trémie FS 300
2	1	400.056	FS 400 Hopper	Trémie FS 400
2	1	400.057	FS 500 Hopper	Trémie FS 500
3	1	400.046	Agitator	Agitateur
4	1	400.058	Bushing	Bague
5	1	600.551	Screw	Vis
6	1	400.059	Disc	Disque dosage
7	1	400.060	Spreading adjustment disc	Disque réglage épandage
8	1	400.061	Spreading adjustment lever	Tige réglage épandage
9	1	400.260	Rate adjustment rod	Tige réglage quantité
10	1	400.063	Washer	Rondelle
12	1	600.110	Snap ring	Seeger
13	1	400.047	Pin	Pivot
14	1	600.108	Pin	Goupille
15	1	400.065	Spinner	Disque épandage
16	4	400.066	Fin	Disque
17	1	400.067	Rate adjustment lever	Levier
18	1	600.450	Handle	Poignée
19	1	400.001	Locking device	Etrier
20	1	400.021	Indicator	Indicateur
21	1	400.068	Crankcase	Carter
22	1	400.069	R. H. Arm	Droite
23	1	400.070	L. H. Arm	Gauche
24	1	400.071	Tie rod	Tirant
25	1	600.448	Gearbox assy	Boîte
26	3	600.074	Screw	Vis
27	5	600.319	Screw	Vis
28	10	600.057	Screw	Vis
29	1	600.528	Screw	Vis
30	1	400.048	Spring	Ressort
31	1	400.049	Washer	Rondelle
33	1	600.554	Nut	Ecrou
34	1	600.092	Washer	Rondelle
35	8	600.322	Washer	Rondelle
36	5	600.097	Washer	Rondelle
37	12	600.627	Nut	Ecrou
38	1	400.072	Pin	Pivot
39	4	600.113	Split pin	Goupille
40	4	600.115	Washer	Rondelle
41	10	600.553	Nut	Ecrou
42	4	600.006	Screw	Vis
43	4	600.060	Washer	Rondelle
44	1	600.184	Screw with wing	Vis
45	1	600.313	R.H. Semi-Gearbox	Demi carter, droite
46	1	600.314	L.H. Semi-Gearbox	Demi carter, gauche
47	1	600.315	Inlet shaft assy	Arbre entrée complet
48	2	600.320	Bearing	Palier
49	1	600.316	Snap ring	Seeger - Anneau ressort
50	1	600.449	Outlet shaft	Arbre sortie
51	1	600.318	Grommet	Joint à huile
52	3	600.312	Screw	Vis
53	3	600.037	Nut	Ecrou
54	1	400.041	Agitator pin	Goupille agitateur
55	1	400.042	Agitator arm	Bras agitateur
56	1	400.201	Agitator washer	Rondelle agitateur
57	1	600.134	Screw	Vis
58	1	600.076	Nut	Ecrou
59	1	600.089	Washer	Rondelle
60	1	600.366	Self-locking nut	Ecrou autobloquant
61	1	600.404	Screw	Vis
62	1	600.029	Nut	Ecrou
63	1	400.200	Agit. assy (for powder fertilizer)	Agitat. complet (fert. en poudre)
69	1	400.259	Pin	Pivot

CARDAN SHAFT 600.396



CARDAN SHAFT/ARBRE A CARDAN 600.396				
ITEM	PART NO	Q.ty	DESCRIPTION	NOTE
1	610.099	2	YOKE	
2	610.100	2	CROSS JOURNAL ASS.	
3	610.101	1	YOKE WITH OUTER TUBE	
4	610.102	1	YOKE WITH INNER TUBE	
5	610.103	1	RING FOR OUTER TUBE	
6	610.104	1	RING FOR INNER TUBE	
7	610.057	2	COMPLETE PUSH BUTTON	
8	610.105	1	HALF SHAFT-WITHOUT GUARD	
9	610.106	1	HALF SHAFT-WITHOUT GUARD	
10	610.107	1	OUTER BEARING	
11	610.114	1	INNER BEARING	
12	610.108	1	OUTER BASIC CONE	
13	610.108	1	INNER BASIC CONE	
14	610.109	1	OUTER HALF GUARD	
15	610.110	1	INNER HALF GUARD	
16	610.111	1	OUTER HALF SHAFT-WITH GUARD	
17	610.112	1	INNER HALF SHAFT- WITH GUARD	
18	610.113	1	COMPLETE GUARD	