



# Finger Rake FW

## PARTS LIST

### General Information

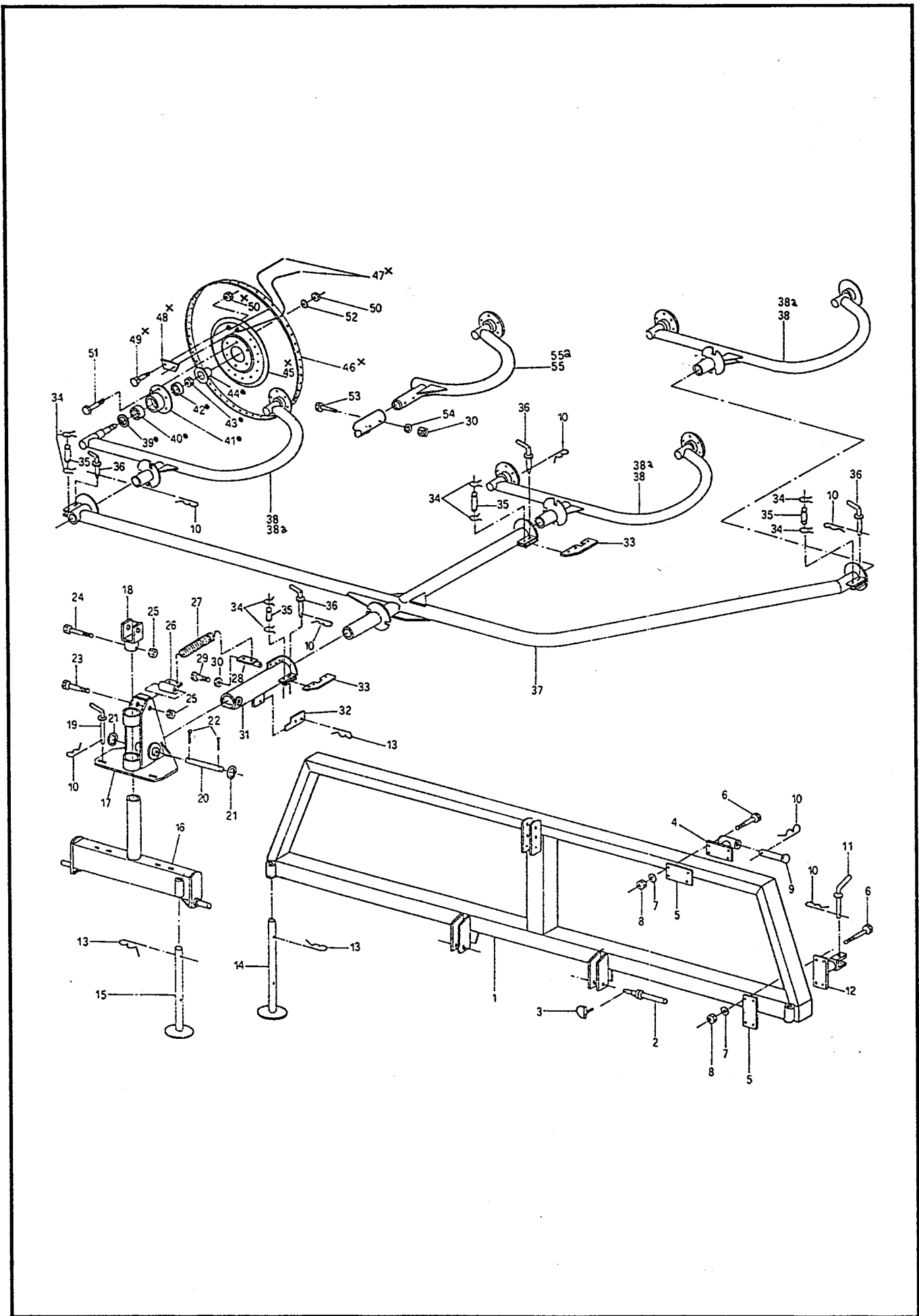
Serial No. Prefix FW.....

Serial number is located on front RH side of frame.

### Special Notes :

- |    |                    |          |                         |
|----|--------------------|----------|-------------------------|
| ▲  | Left Hand          | ◁        | Alternative             |
| ▼  | Right Hand         | *        | Change since last print |
| ▲  | Upper              | 306357x6 | Quantity                |
| ▼  | Lower              | 306357#  | Quantity as required    |
| ▲▲ | Width              | ≡        | Only for                |
| ▲▲ | Length             | ⌋        | Central                 |
| ↑  | From Serial Number | ⌋        | Offset                  |
| ↓  | To Serial Number   | Z        | Number of teeth         |
| ↻  | rpm                |          |                         |

Catalogue no.	Issue	Page Affected
77089	5/90	New Issue
"	1/94	1-4



FW4. FW5, FW6, FW8, FW10, FW12.

# FW4, FW5, FW6, FW8, FW10, FW12, PARTS LIST

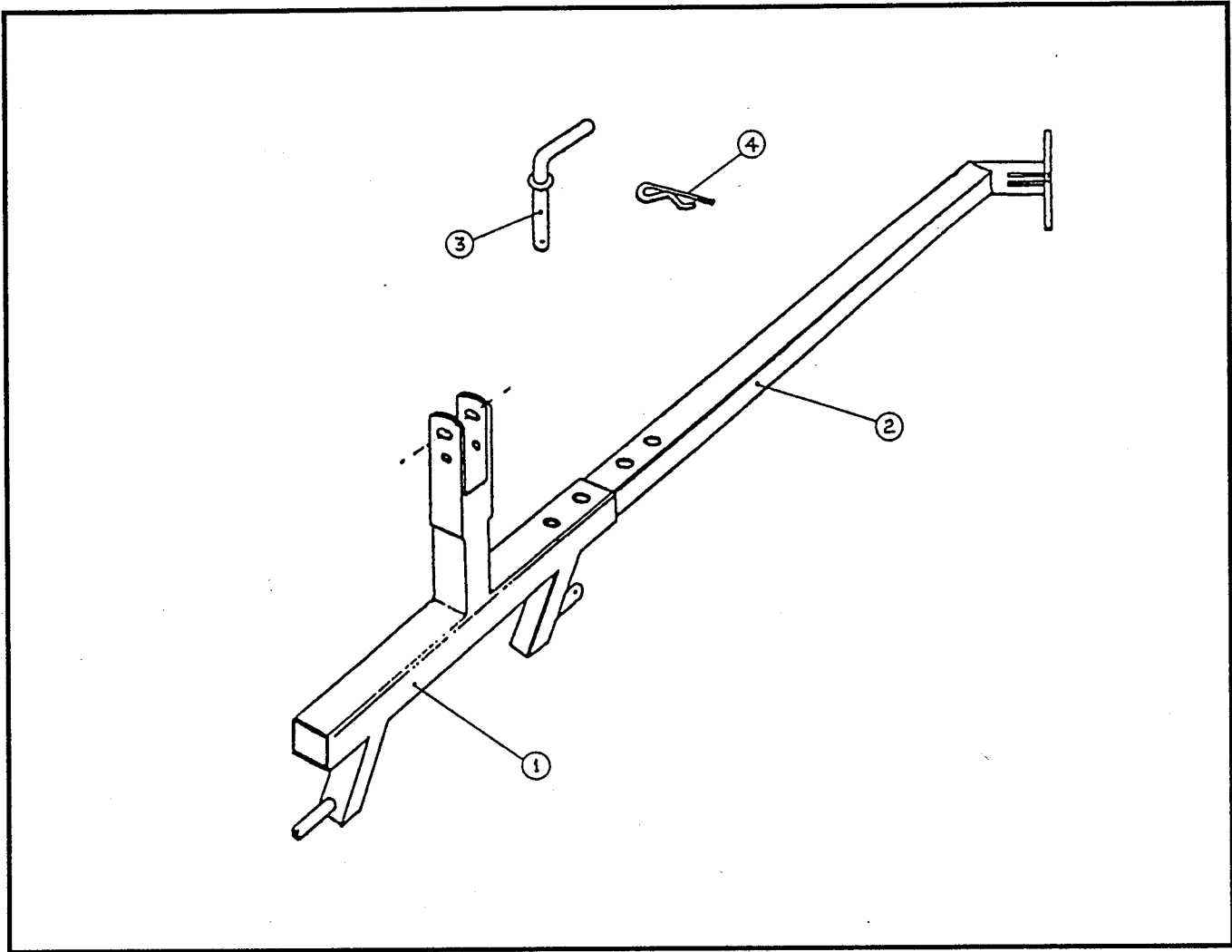
8/93

Item	Part No.	Description	Qty	Item	Part No.	Description	Qty
1	FW027	Frame FW8	1	45-50	FW036	Wheel assembly RH [FW4, 5]	#
	FW028	Frame FW10,FW12	1		FW036/A	Wheel assembly LH [FW8, 10]	#
2	S200.047	Pin	2	45	FW005	Flange plate	# 1
3	610661	Cotter assy	2	46	FW007	Rim	# 1
4	FW031	Upper support	2	47	FW002	Tine	# 40
5	FW032	Clamp plate	6	48	FW004	Clamp plate	# 10
6	301612145	Bolt M12 x 140	24	49	FW035	Bolt 600.005 / 221210255	# 20
7	308160045	Spring washer M12	24	50	307210115	Nut M10 20115C	# 20
8	307216015	Nut M12	24	51	301410255	Bolt M10 x 25	# 5
9	70071	Pin - Upper cat 1	2	52	308100045	Spring Washer M10	# 5
10	208014030	R Clip 600.019	10	53	301212355	Bolt M12 x 35 [FW5, 10]	2,4
11	FW033	Pin	4	54	308120045	Spring Washer M12 [FW5, 10]	2,4
12	FW029	Lower support	4	55	FW009	Wheel arm, RH Std [FW5]	1
13	208014050	R Clip 600.020	2/3		FW009/A	Wheel arm, LH [FW10]	1
14	FW013/A	Park Stand [FW8, FW10]	1				
15	FW013	Park Stand	1				
16	FW014	Frame FW4, FW5. S210.369	1				
	S200.117	Frame FW6	1				
17	FW015	Frame FW4, FW5 S200.064	1				
	S200.118	Frame FW6	1				
18	FW017	Cap FW4, FW5	1				
	S200.094	Cap FW6	1				
19	FW016	Pin 52 - FW016/A Pin 163	1				
20	FW026	Pin	1				
21	108140015	Flat washer	2				
22	208010860	Split Pin	2				
23	301614115	Bolt M14 x 110	1				
24	301 14105	Bolt M14 x 100	1				
25	307214015	Nut M14	2				
26	FW018	Link FW4, FW5	1				
	S200.121	Link FW6	1				
27	FW019	Spring FW4, FW5 69 x 260	2				
	S300.015	Spring FW6 611 x 260	2				
28	FW020	Mounting FW4, FW5	1				
	S200.122	Mounting FW6	1				
29	301212355	Bolt M12 x 35	1				
30	307212015	Nut M12	3				
31	FW022	Tube - 330mm lg S200.071	1				
	FW022/A	Tube - extended - 580mm lg	1				
32	FW023	Catch	1				
33	S200.073	Catch	3				
34	208002670	Circlip M15 external	6				
35	S200.074	Pin	3				
36	FW021	Pin	3				
37	FW024	Main frame FW4, FW8	1				
	FW025	Main Frame FW5, FW10	1				
	S200.093	Main Frame FW6, FW12	1				
38	FW008	Wheel arm RH Std	2/3				
	FW008/A	Wheel arm LH [FW8, FW10]	2/3				
39-44	FW034	Hub & Axle assembly [Note 1]	#				
39	FW001	Dust seal	#				
40	252552156	Bearing	#				
41	FW003	Hub	#				
42	252047151	Bearing	#				
43	307218145	Nut - castle M18 P1.5	#				
NI	-	Split Pin M2.5/3.0 x 35	#				
44	FW006	Cap	#				

## NOTES

#. Qty as required

1. Hub Assembly comprises items 39-44 plus axle which must be welded to frame.



## FRAME FW2

8/92

Item	Part No.	Description	Qty
1	FW010	Headstock	1
2	FW011	Support arm	1
3	FW012	Pin	1
4	208014030	R Clip	1

Refer to FW4, FW5, FW8, FW10 parts list for hub and wheel assembly components.