



Paraplow 500/1100

PARTS LIST

General Information

Serial No.Prefix 455A.....500

Serial No.Prefix 461A.....1100

Serial number is located on front RH side of frame.

Special Notes:

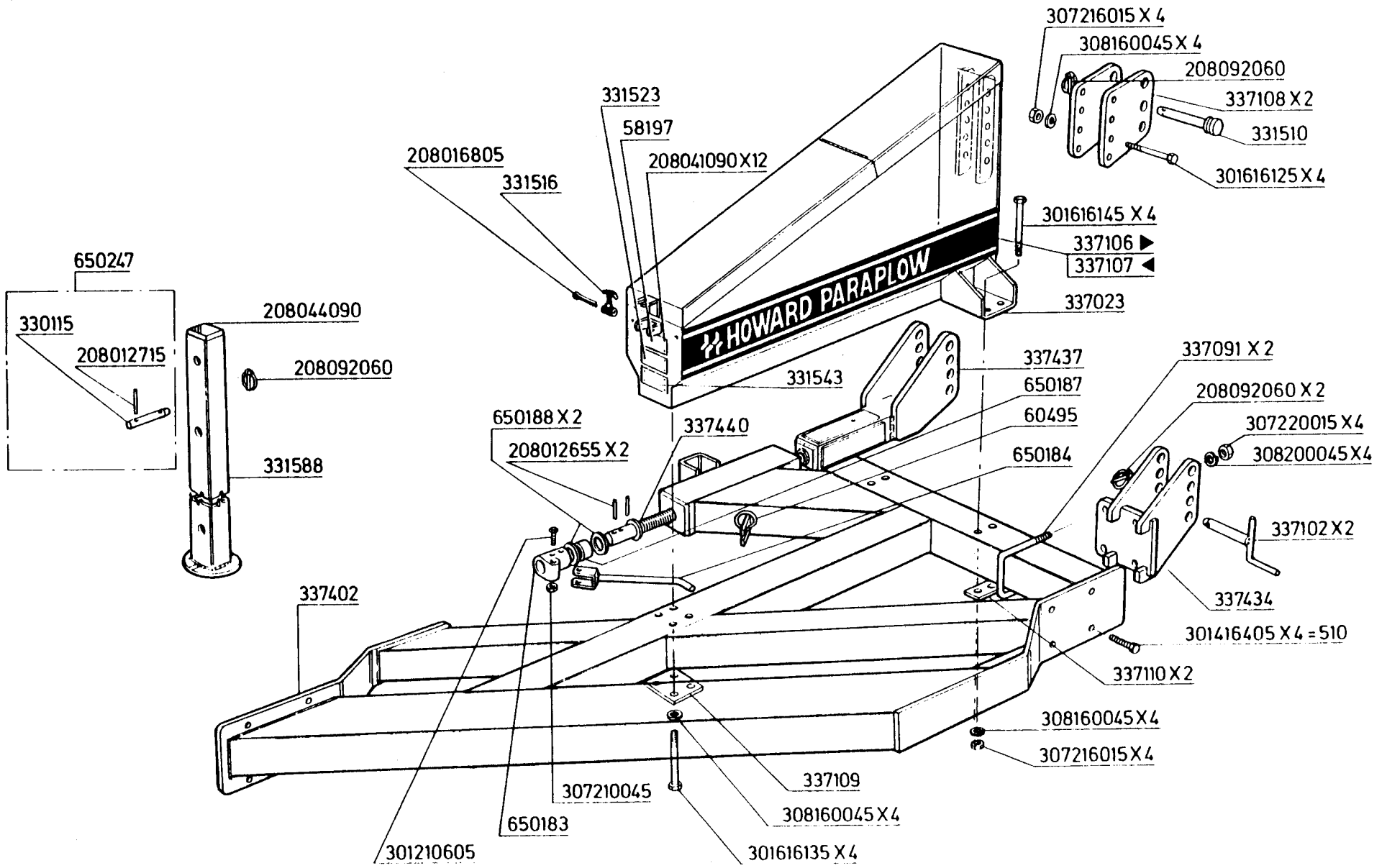
- | | | | |
|----|---------------------|----------|-------------------------|
| ◀ | Left Hand | Y | Alternative |
| ▶ | Right Hand | * | Change since last print |
| ▲ | Upper | 306357x6 | Quantity |
| ▼ | Lower | 306357# | Quantity as required |
| ◀▶ | Width | | Only for |
| ▶▶ | Length | | Central |
| T▶ | From serial number | | Offset |
| ▶T | Up to serial number | Z | Number of teeth |
| ⤵ | rpm | | |

Catalogue no.	Issue	Page Affected
209005201	5/90	New Issue

Note: Some components illustrated may no longer be available. All components have been shown for identification purposes.

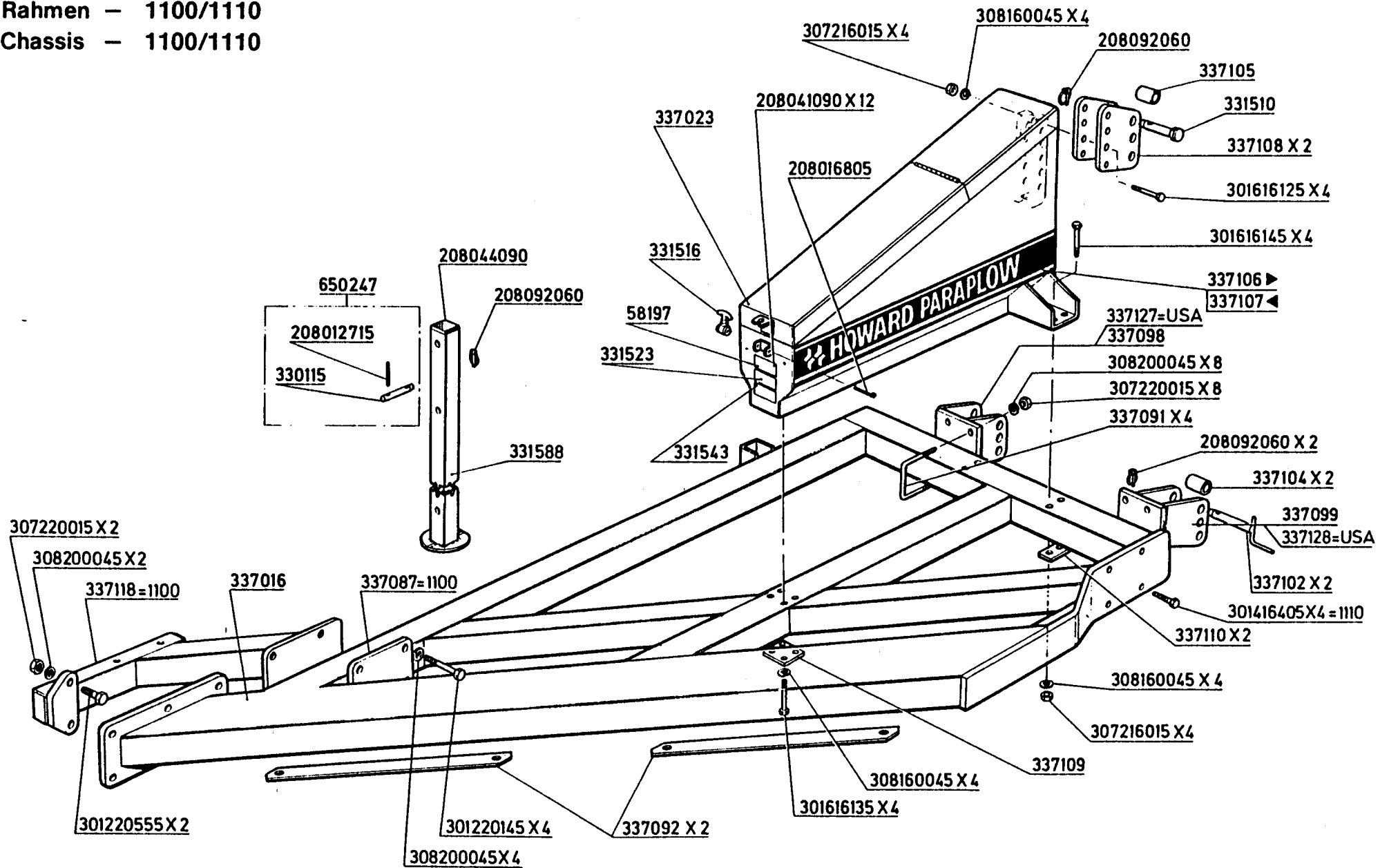
Frame — 500/510
 Chassis — 500/510
 Rahmen — 500/510
 Chassis — 500/510

Paraplow



Frame - 1100/1110
 Chassis - 1100/1110
 Rahmen - 1100/1110
 Chassis - 1100/1110

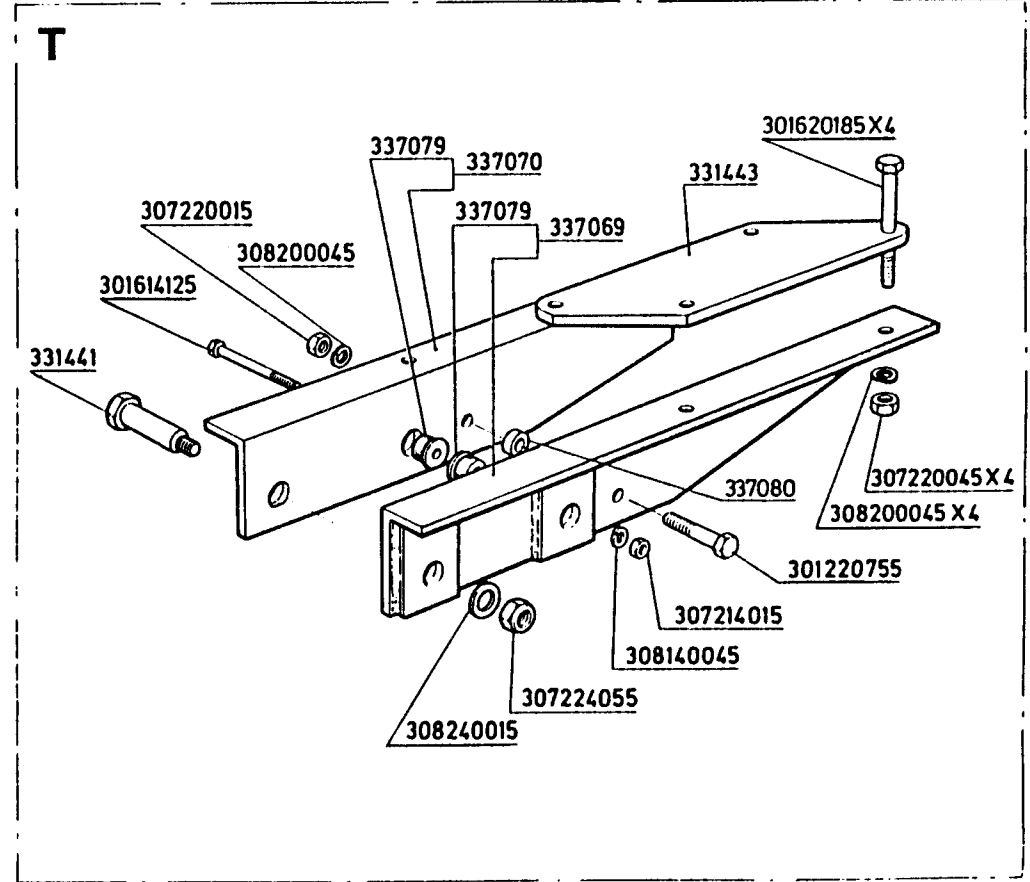
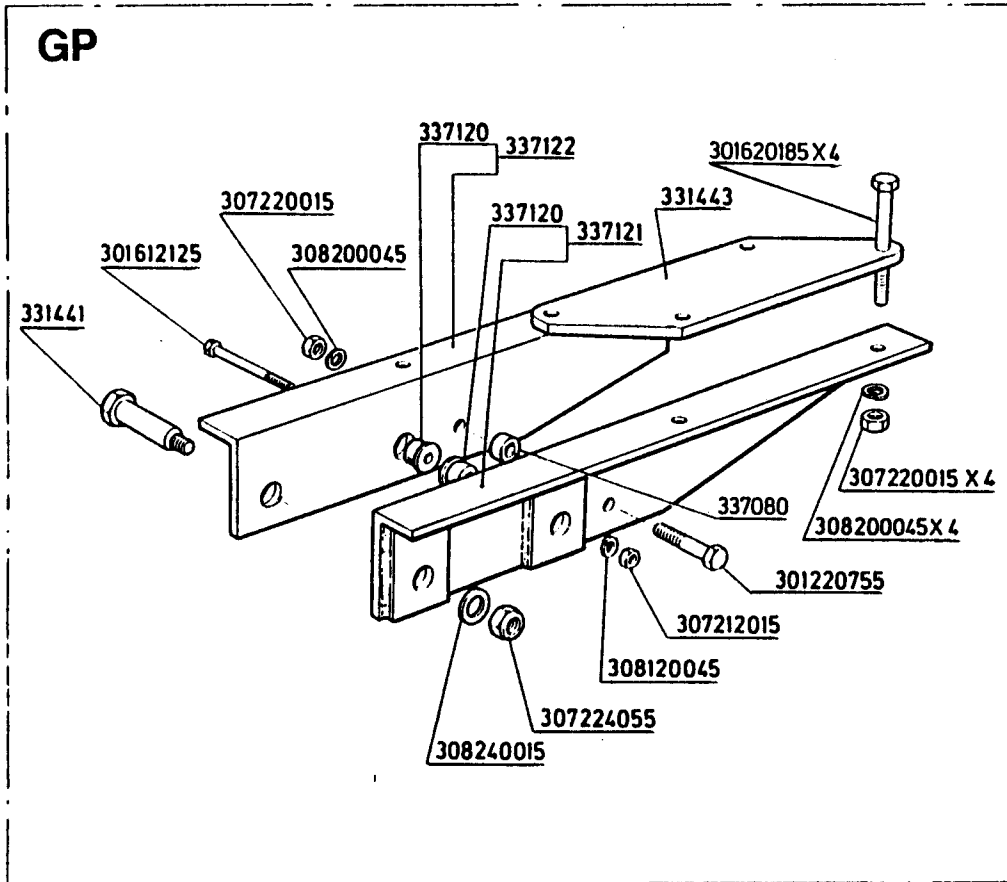
Paraplow





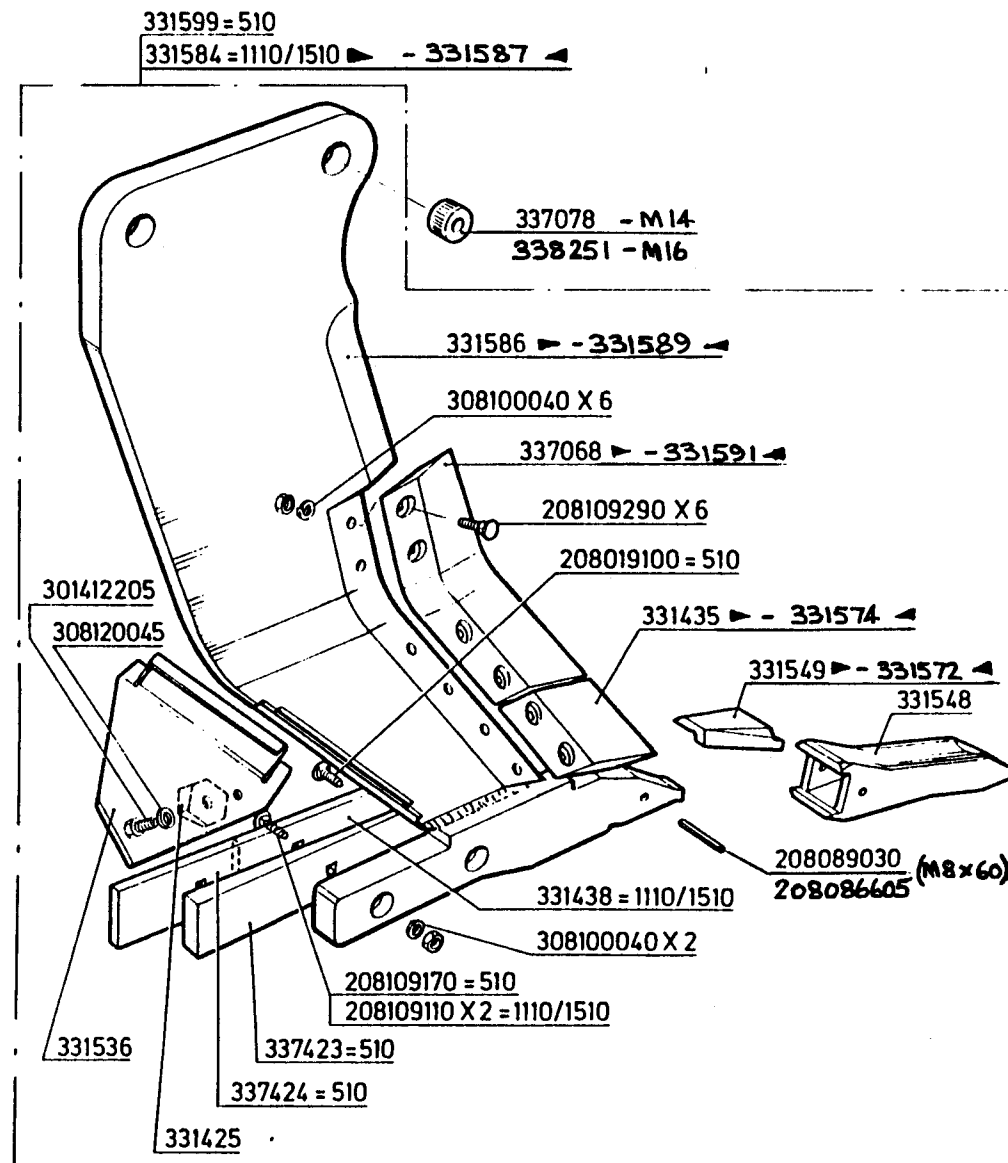
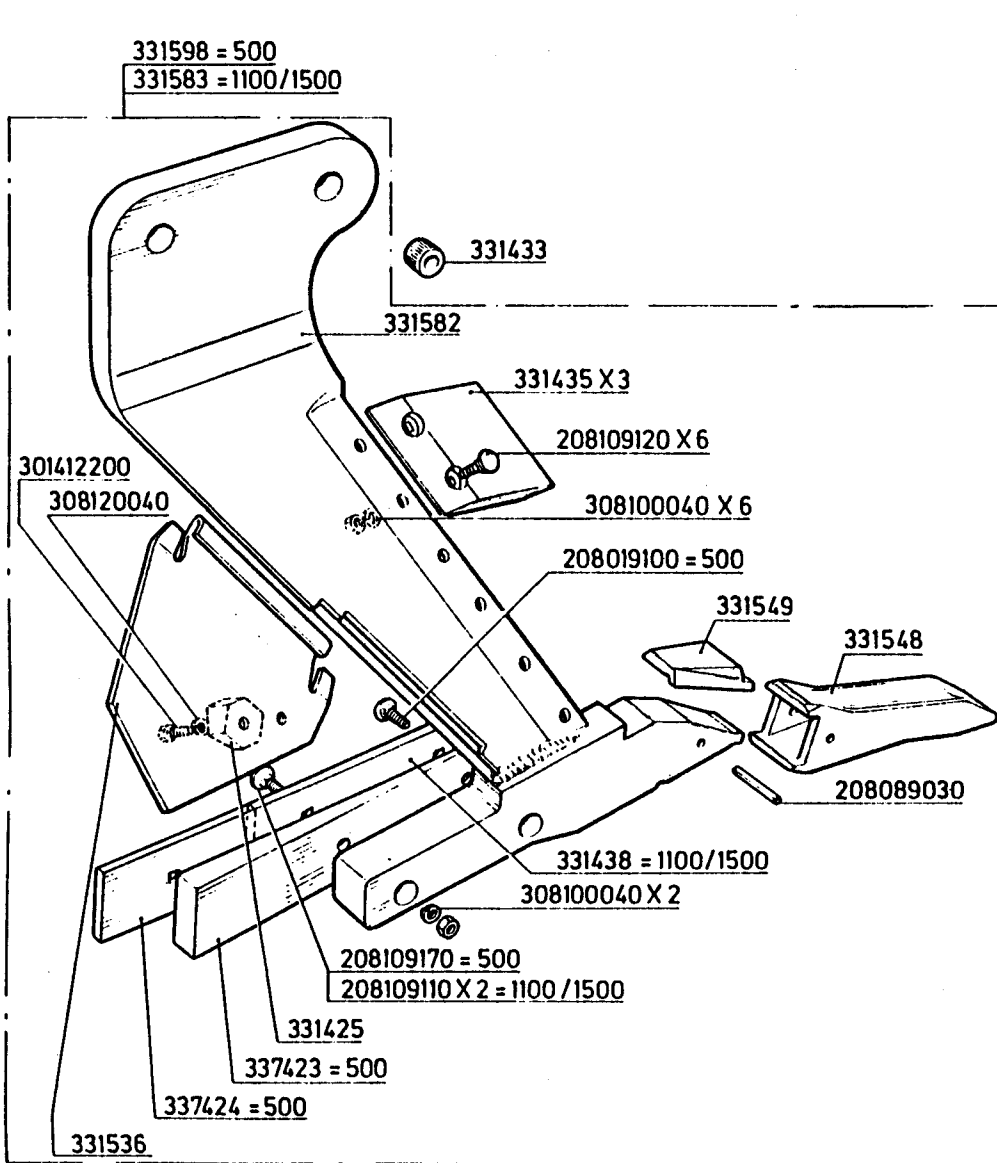
Shear Bolt Mounting 500 / 1100
Boulon de Cisaillement
Scherbolzen
Montaje de Disparo Seguridad

Paraplow



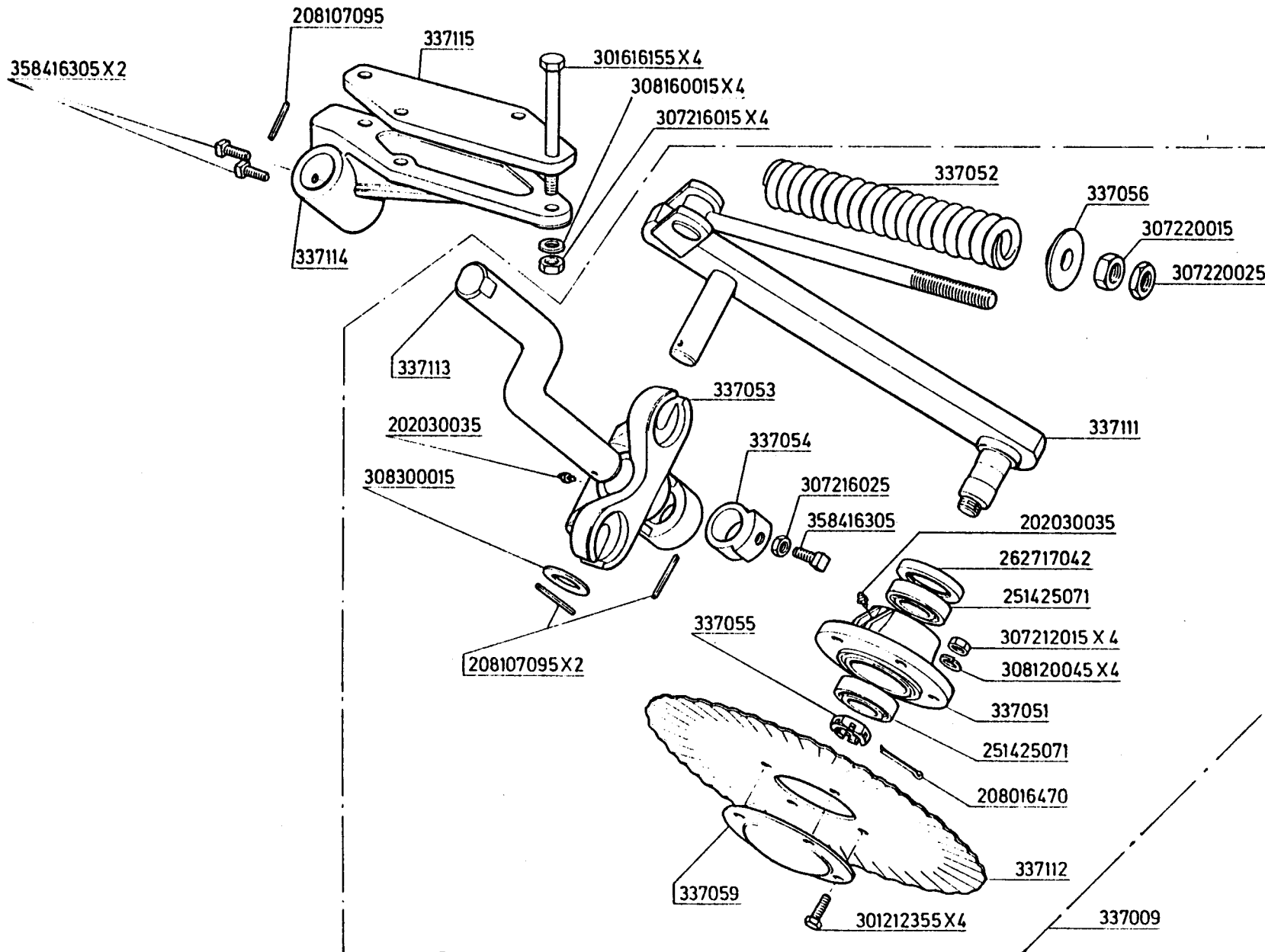
Leg 500/1100
 Dent
 Scharmesser
 Brazo

Paraplow



9 Disc = S 500/1100
 Disque = S
 Scheibe = S
 Disco = S

Paraplow




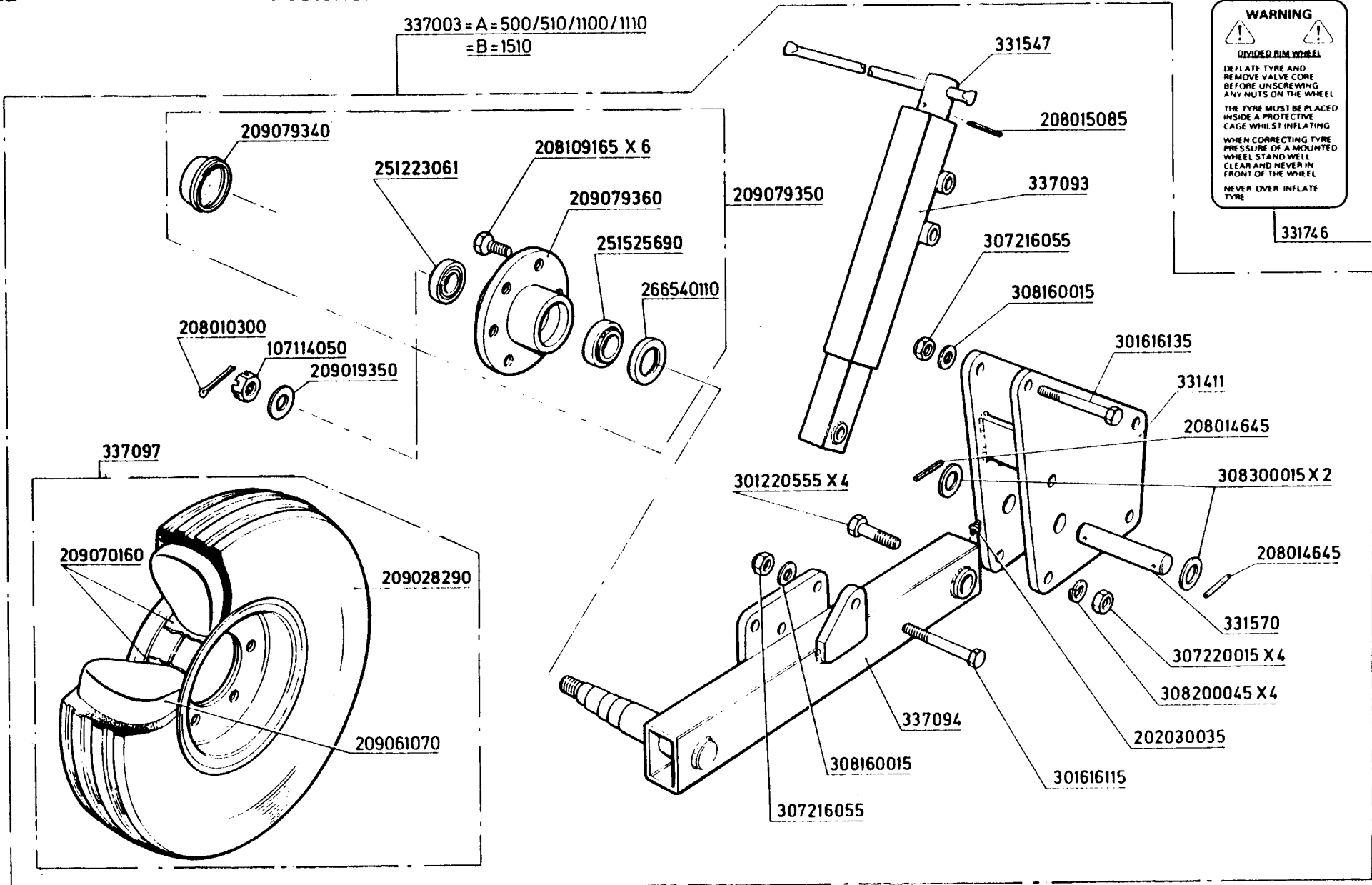
Wheel 500/1100
 Roue
 Rad
 Rueda

A = Rear B = Front
 A = Arrière B = Avant
 A = Hinteres B = Vorderes
 A = Posterior B = Delantera

Paraplow

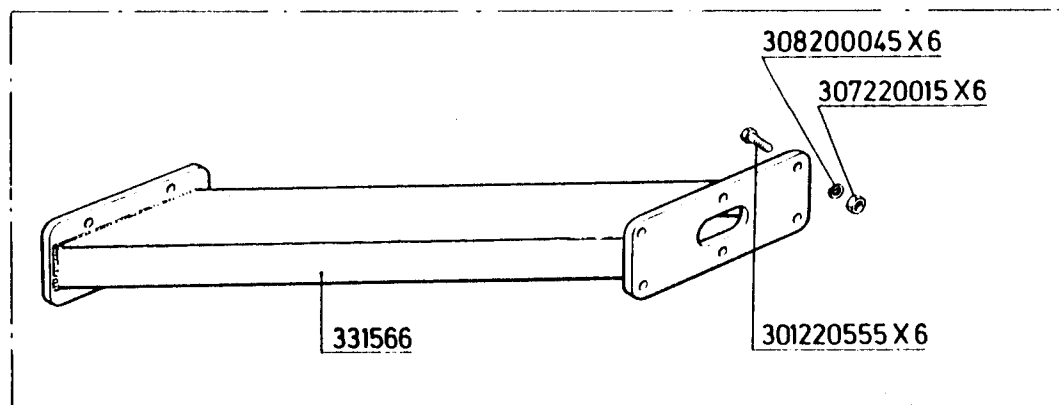
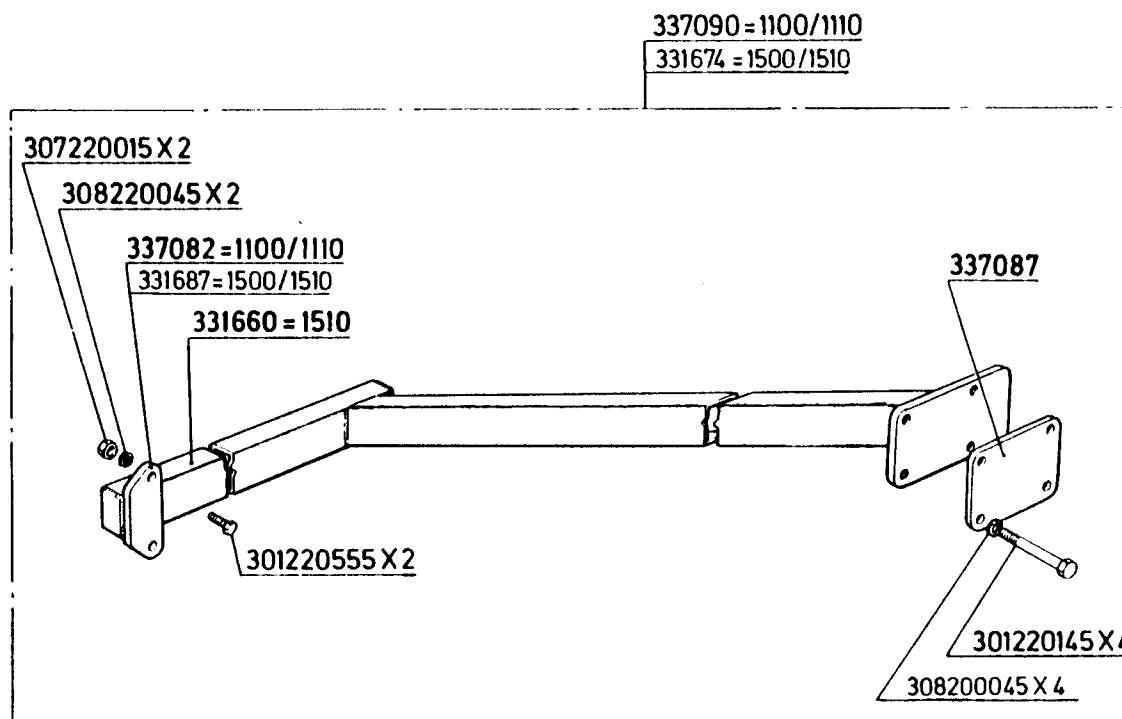
337003 = A = 500/510/1100/1110
 = B = 1510

WARNING

DIVIDER RIM WHEEL
 DEFLATE TYRE AND REMOVE VALVE CORE BEFORE UNSCREWING ANY NUTS ON THE WHEEL
 THE TYRE MUST BE PLACED INSIDE A PROTECTIVE CAGE WHILST INFLATING
 WHEN CORRECTING TYRE PRESSURE OF A MOUNTED WHEEL STAND WELL CLEAR AND NEVER IN FRONT OF THE WHEEL
 NEVER OVER INFLATE TYRE



∞ Extension 1100
Rallonge
Verlaengerung
Extension

Paraplow



337089 = 1100/1110/1500/1510