



# Paraplow 1800T

## PARTS LIST

### General Information

Serial No. Prefix 478N.....  
 Serial number is located on front RH side of frame.

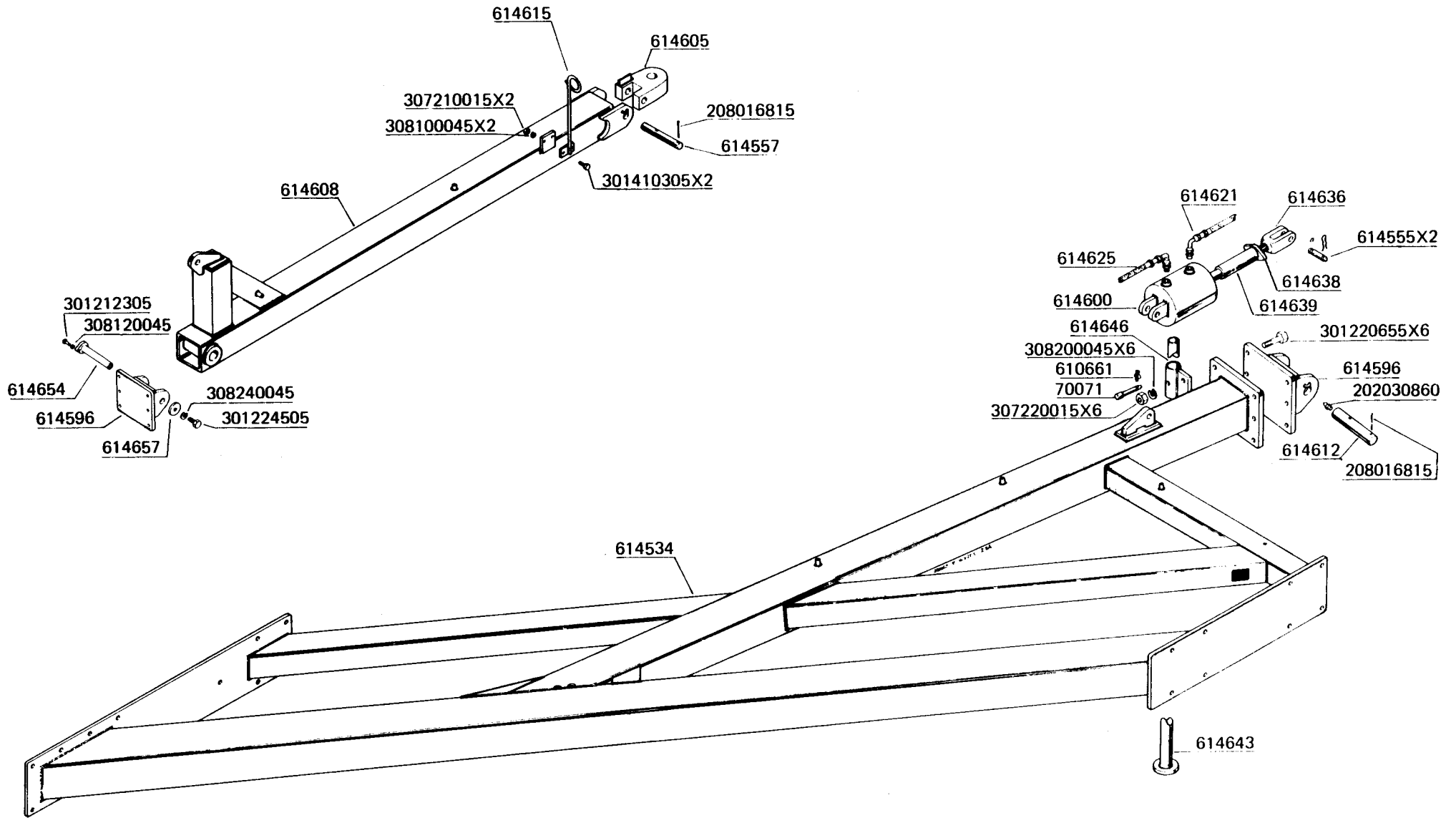
### Special Notes:

- |       |                     |          |                         |
|-------|---------------------|----------|-------------------------|
| ◀     | Left Hand           | Y        | Alternative             |
| ▶     | Right Hand          | *        | Change since last print |
| ▲     | Upper               | 306357x6 | Quantity                |
| ▼     | Lower               | 306357#  | Quantity as required    |
| ▶▶    | Width               |          | Only for                |
| ▶▶▶   | Length              |          | Central                 |
| ▶▶▶▶  | From serial number  |          | Offset                  |
| ▶▶▶▶▶ | Up to serial number | Z        | Number of teeth         |
| ↻     | rpm                 |          |                         |

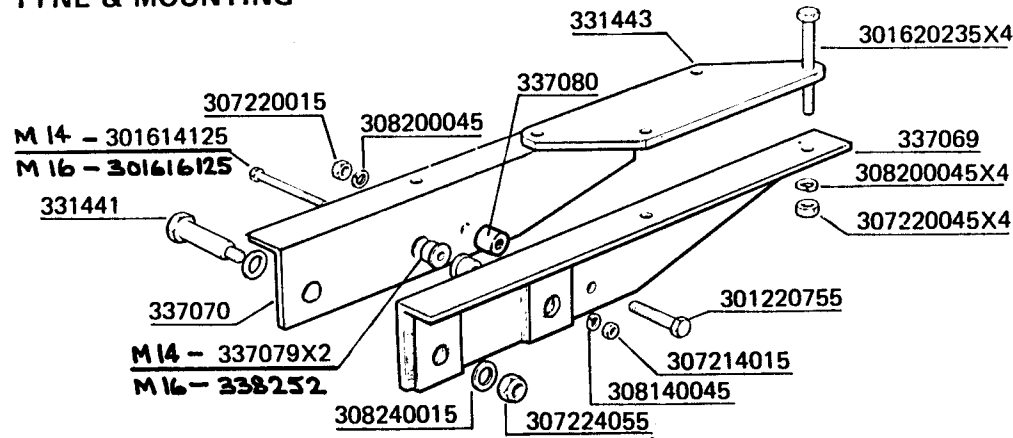
Catalogue no.	Issue	Page Affected
77079	5/90	New Issue

Note: Some components illustrated may no longer be available. All components have been shown for identification purposes.

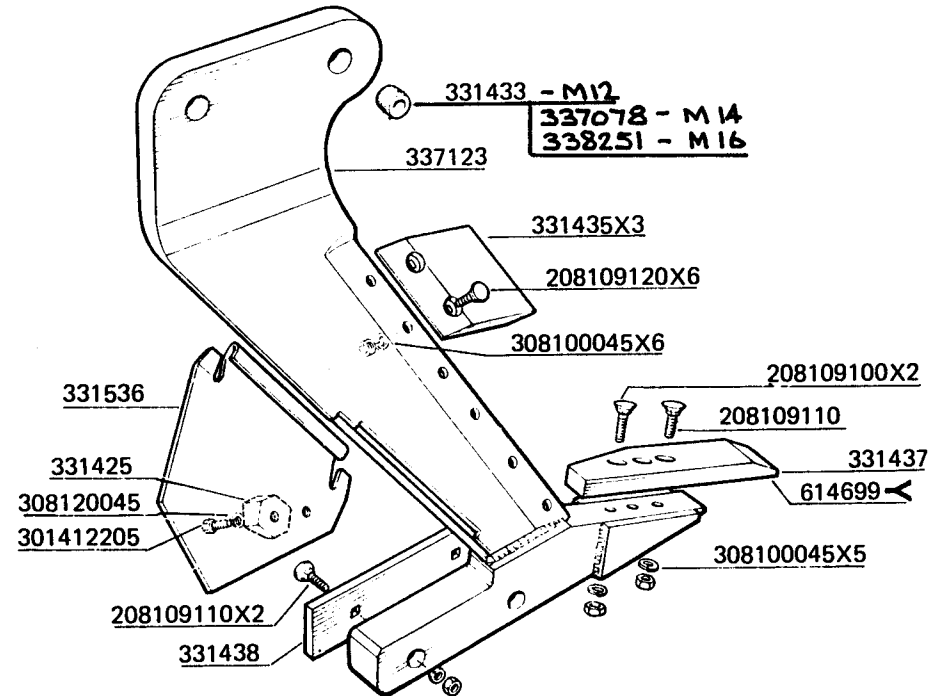
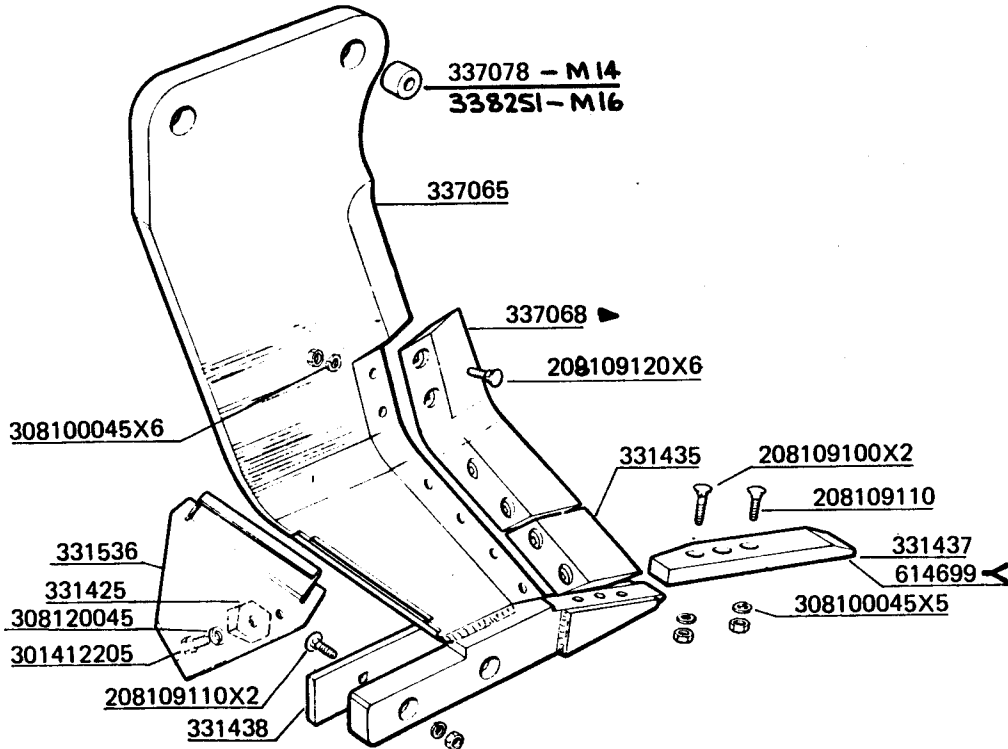
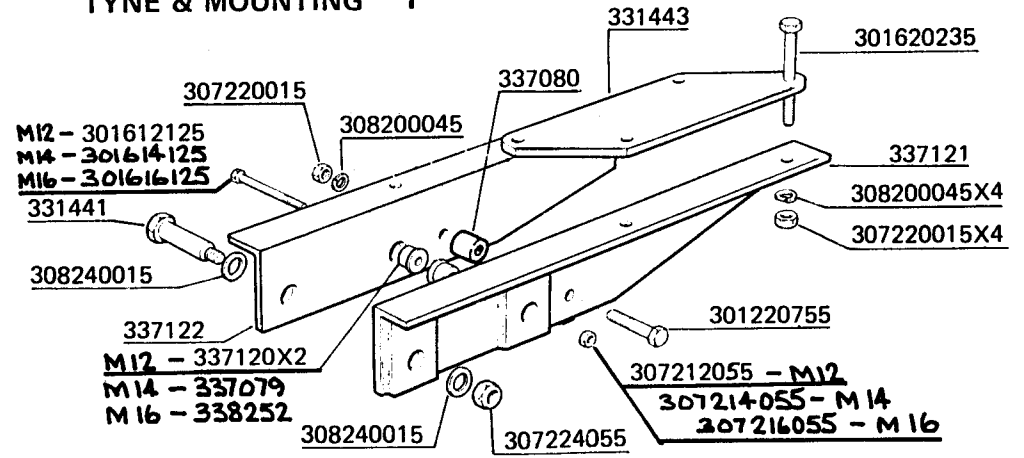
PARAPLOW 1800T/1810T  
DRAWBAR & MAIN FRAME



PARAPLOW 1810T  
TYNE & MOUNTING

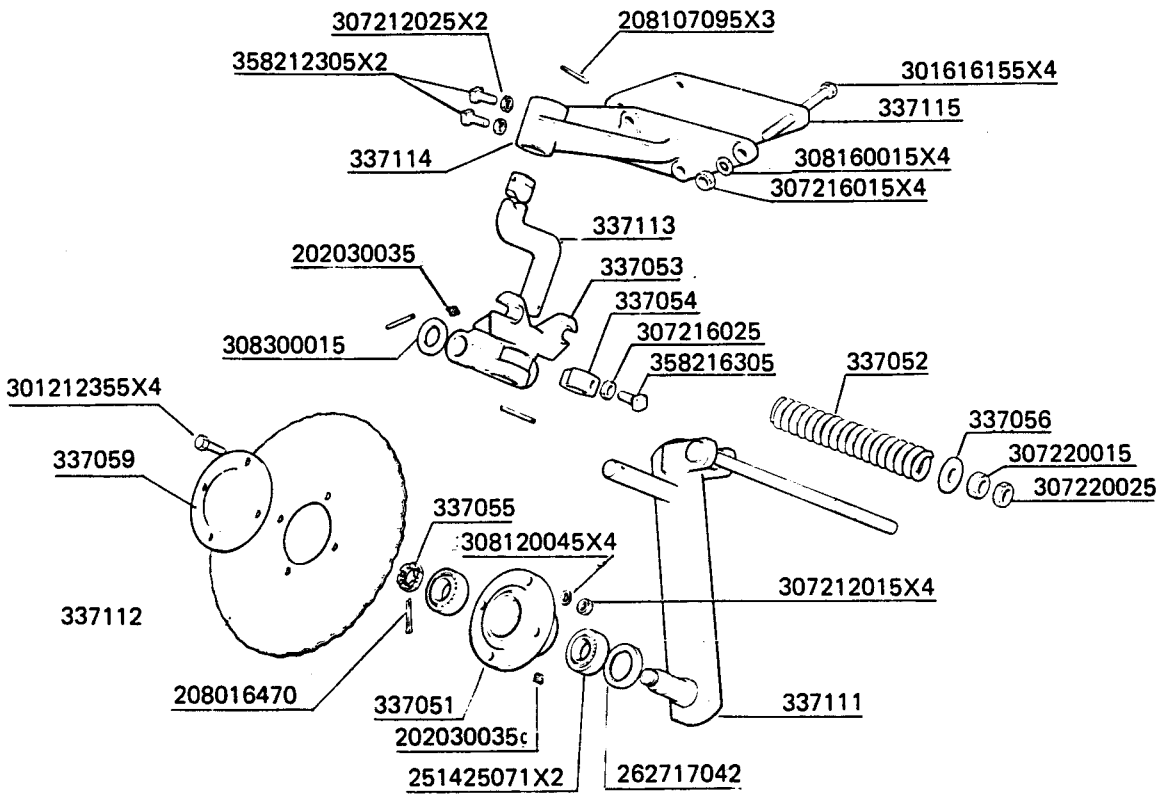


PARAPLOW 1800T \* STD.  
TYNE & MOUNTING

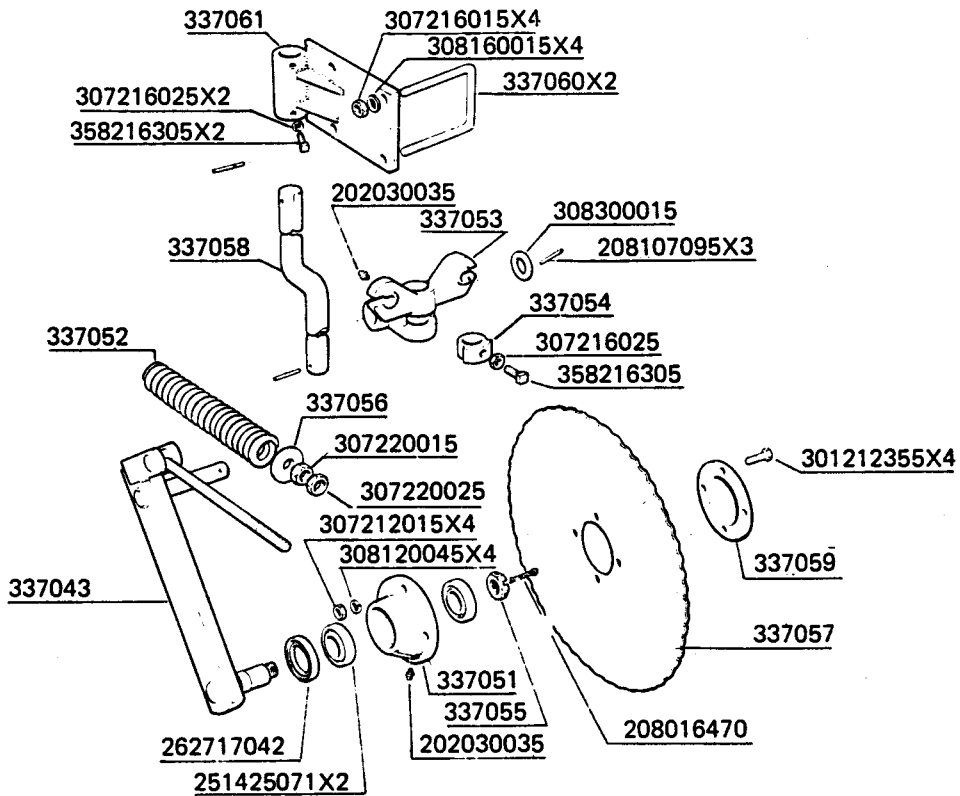


NOTE: REFER PARAPLOW 500/1100 PARTS BOOK FOR  
KNOCK-ON POINT DESIGN. CONVERSION KIT P/No 710441 (710441/0-316)

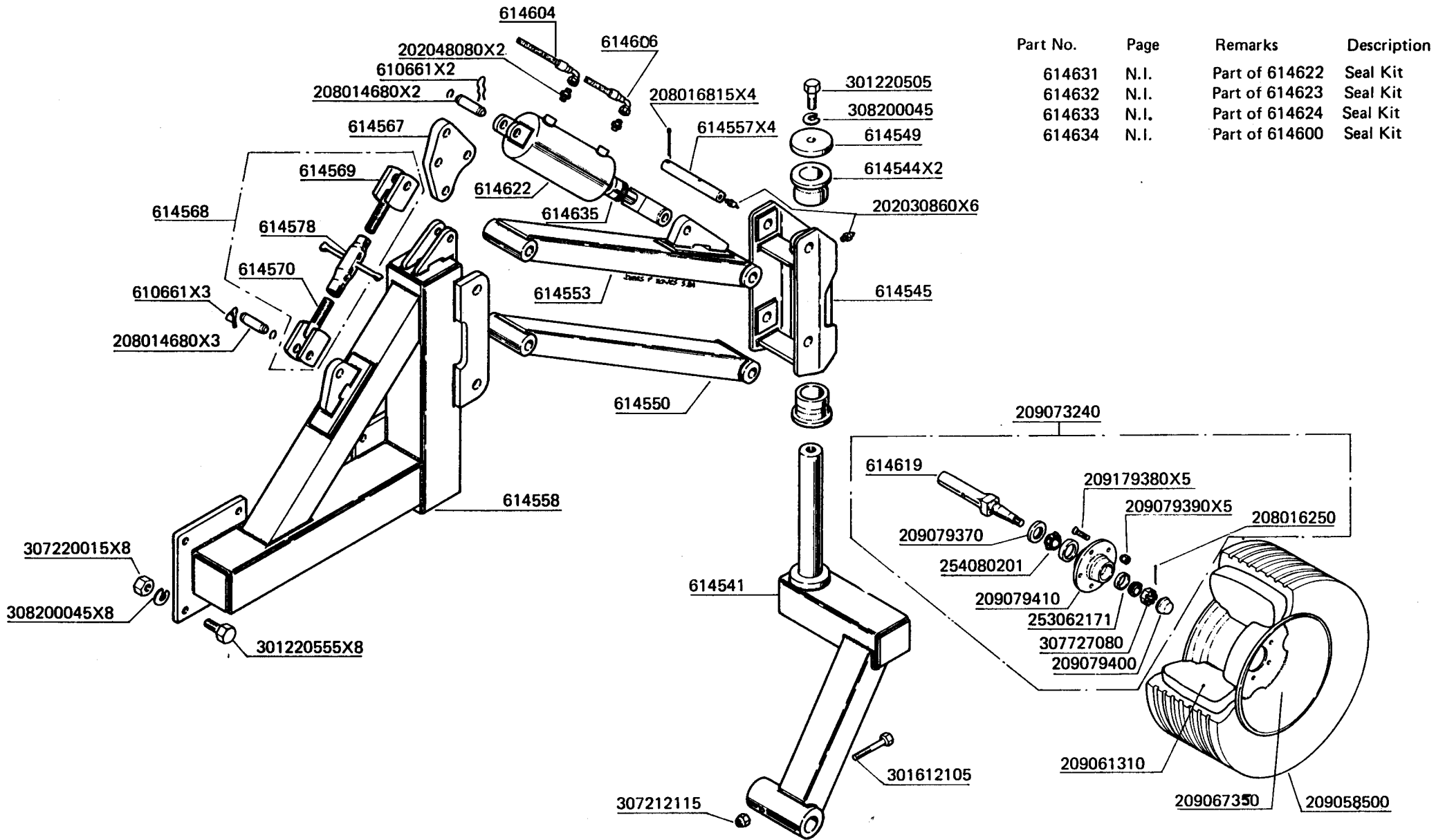
**PARAPLOW 1800T  
DISC ASSEMBLY**



**PARAPLOW 1810T  
DISC ASSEMBLY**



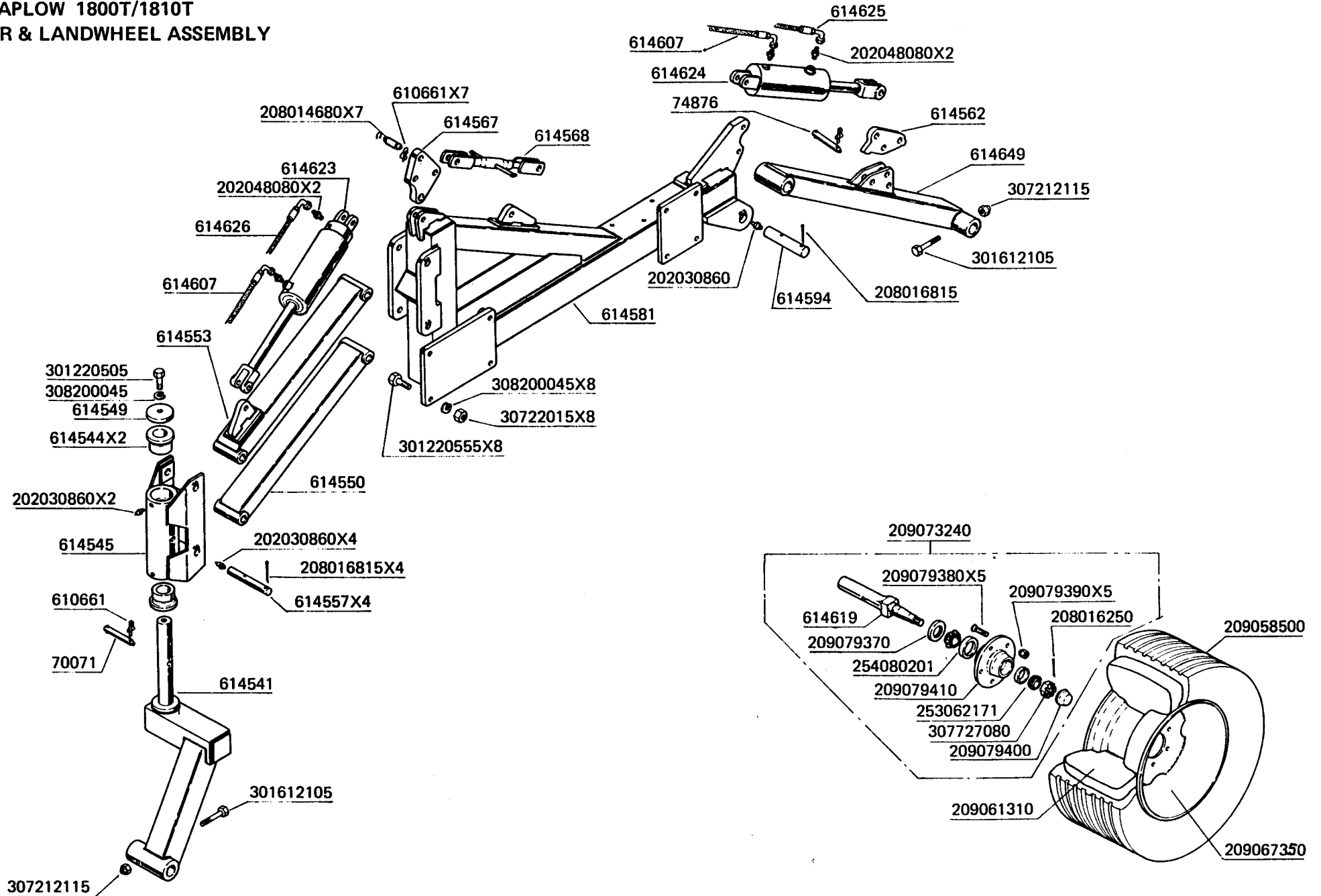
**PARAPLOW 1800T/1810T  
FRONT CASTOR WHEEL ASSEMBLY**



Part No.	Page	Remarks	Description
614631	N.I.	Part of 614622	Seal Kit
614632	N.I.	Part of 614623	Seal Kit
614633	N.I.	Part of 614624	Seal Kit
614634	N.I.	Part of 614600	Seal Kit

9

# PARAPLOW 1800T/1810T REAR & LANDWHEEL ASSEMBLY



# Paraplow Mechanical Trip Mechanism

## PARTS LIST 1800T

