



Paraplow 1000

PARTS LIST

General Information

Serial No. Prefix 490A.....
 Serial number is located on front RH side of frame.

Special Notes:

- ◀ Left Hand
- ▶ Right Hand
- ▲ Upper
- ▼ Lower
- ◀▶ Width
- ▶▶ Length
- ↑ From serial number
- ↓ Up to serial number
- ↻ rpm
- Y Alternative
- * Change since last print
- 306357x6 Quantity
- 306357# Quantity as required
- ≡ Only for
- ≡ Central
- ≡ Offset
- Z Number of teeth

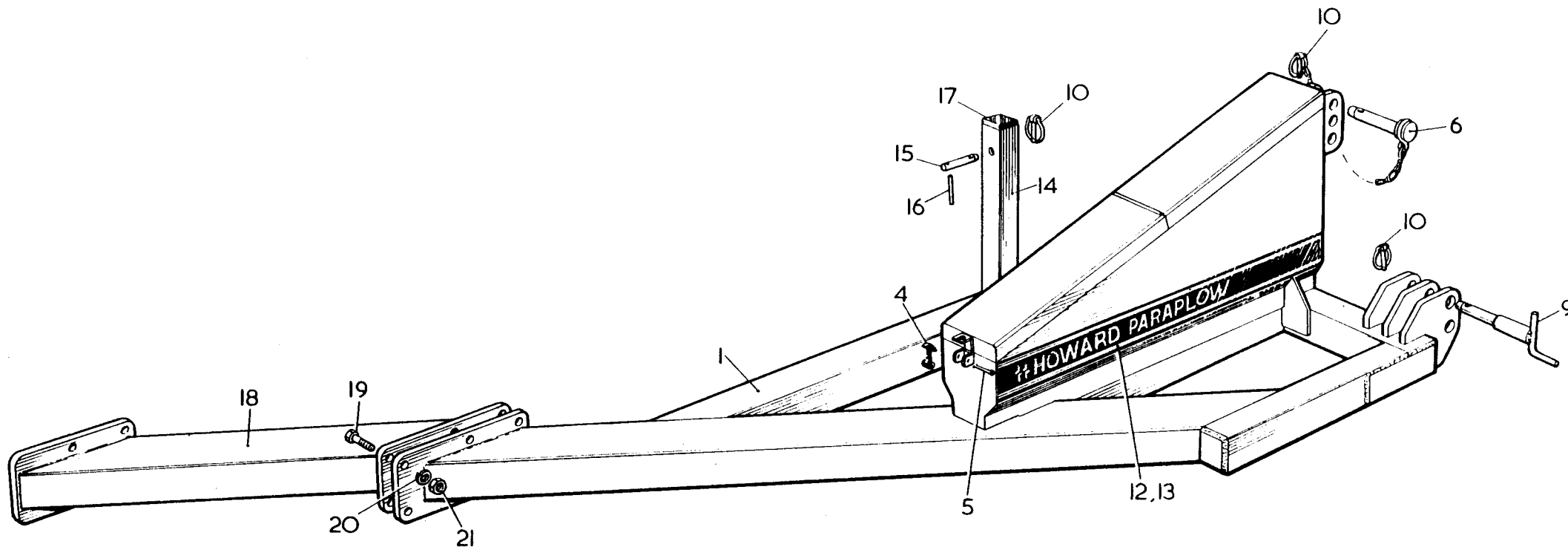
Catalogue no.	Issue	Page Affected
209005151	5/90	New Issue

Note: Some components illustrated may no longer be available. All components have been shown for identification purposes.

Howard Paraplow 1000 Series - Parts List

848		8.81	2
-----	--	------	---

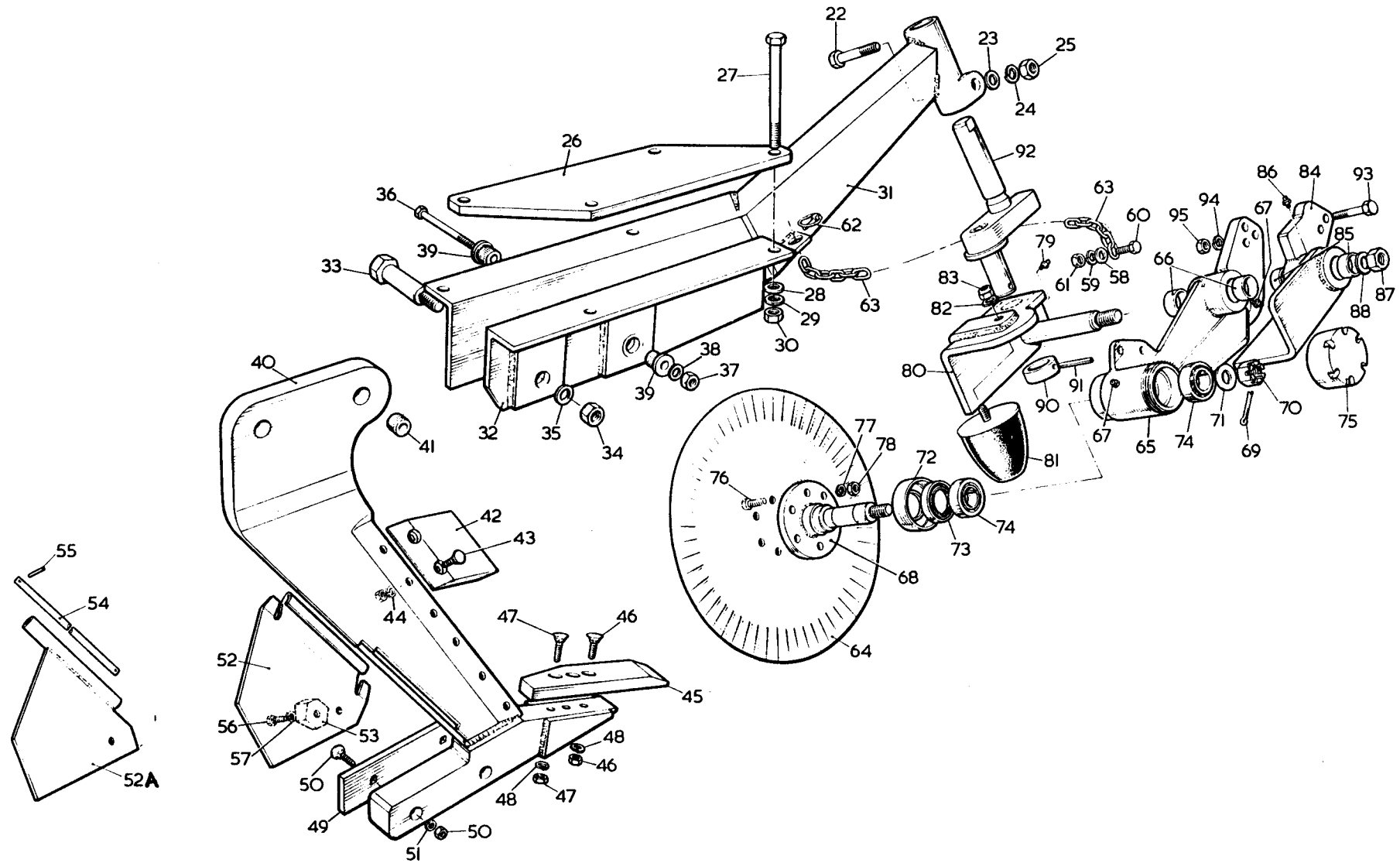
TOP MAST AND FRAME



Howard Paraplow 1000 Series - Parts List

848	1	3.82	4
-----	---	------	---

LEG/DISC MOUNTING ASSEMBLY

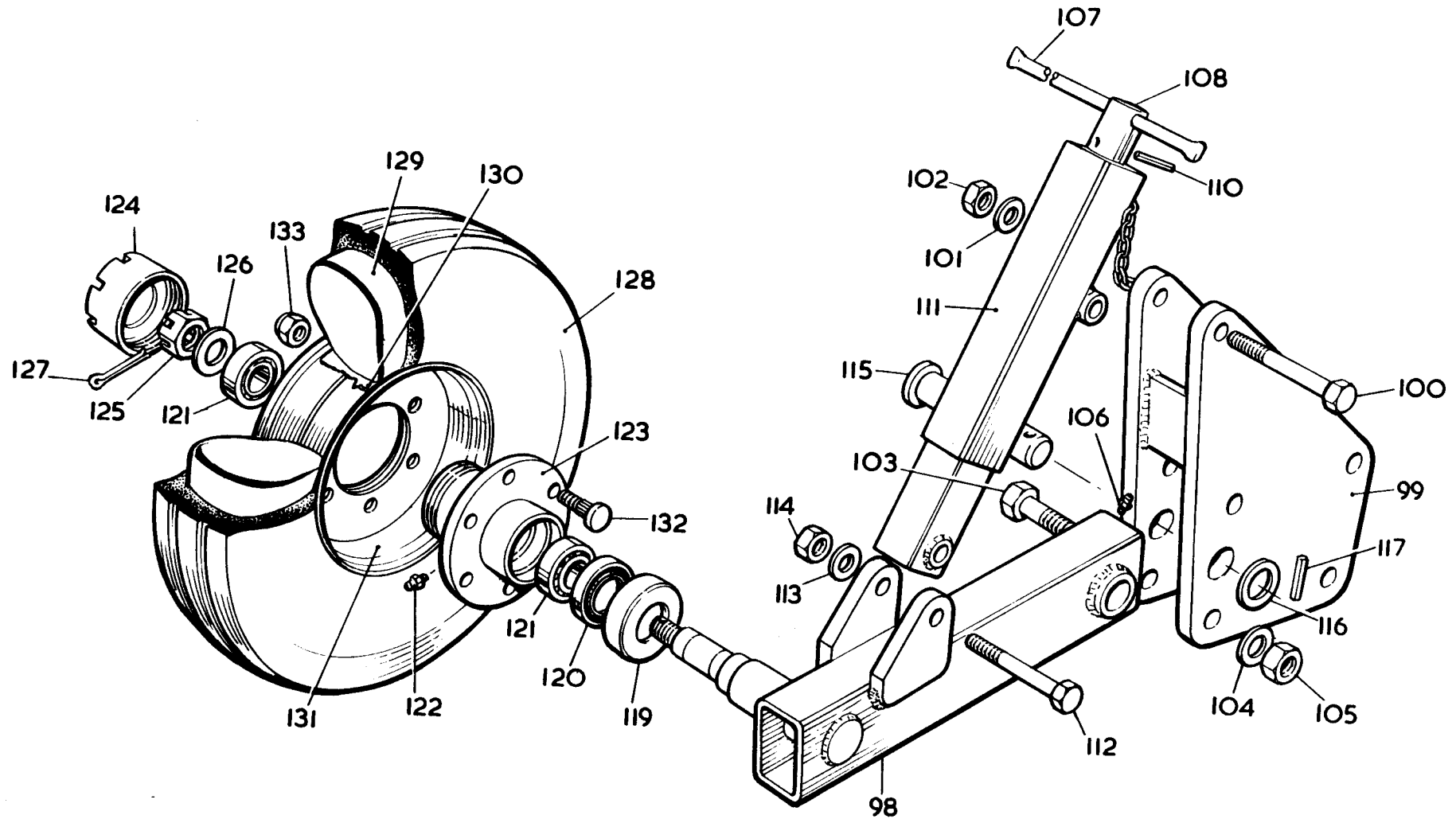


Illus. No.	Part Number	Description	No. off	Bulletin	Bin No.
LEG/DISC MOUNTING ASSEMBLY					
	331401	Leg/Disc Mounting Assembly	Basic 3 or including as reqd.		
22	301220755	Bolt M20 x 75	1		
23	308200015	Flat Washer M20	1		
24	308200045	Spring Washer	1		
25	307220015	Nut M20	1		
26	331443	Clamp Plate	4		
27	301620165	Bolt M20 x 160	4		
28	308200015	Flat Washer M20	4		
29	308200045	Spring Washer M20	4		
30	307220015	Full Nut M20	4		
31	331532	Mounting Angle L.H. Sub. assy. (inc. illus. 39)	1		
32	331533	Mounting Angle R.H. Sub. assy. (inc. illus. 39)	1		
33	331441	Pivot Bolt	1		
34	307224055	Selflock Nut M24	1		
35	308240015	Flat Washer M24	1		
36	301612125	Bolt M12 x 120	1		
37	307212055	Selflock Nut M12	1		
38	308120015	Flat Washer M12	1		
39	331442	Shear Bush - Outer	2		
	331404	Leg Assembly	Basic 3 or including as reqd.		
40	331531	Leg Sub. assy. includes	1		
41	331433	Shear Bush - Inner	1		
42	331435	Leading Edge	3		
43	208109120	Plough Bolt M10 x 25 complete with nut	6		
44	308100040	Spring Washer M10	6		
45	331437	Point	1		
46	208109110	Plough Bolt M10 x 35 complete with nut	1		
47	208109100	Plough Bolt M10 x 45 complete with nut	2		
48	308100040	Spring Washer M10	3		
49	331438	Landslide Edge	1		
50	208109110	Plough Bolt M10 x 35 complete with nut	2		
51	308100040	Spring Washer M10	2		
52	331536	Shatter plate - late models	1		
52A	331436	Shatter Plate - early models only	1		
53	331425	Angle Adjuster	1		
54	331434	Hinge Bar - early models only	1		
55	208107085	Spirol Pin M5 x 25 - early models only	2		
56	301412200	Setscrew M12 x 20	1		
57	308120040	Spring Washer M12	1		
58	308120015	Flat Washer M12	1		
59	308120045	Spring Washer M12	1		
60	301412355	Setscrew M12 x 35	1		
61	307212010	Full Nut M12	1		
62	208092060	Clip Pin	1		
63	331483	Chain	1		

Illus. No.	Part Number	Description	No. off	Bulletin	Bin No.
	331402	Disc Coulter Assembly	1 per leg includes		
64	209057010	Disc	1		
	331407	Disc Pivot Arm Assembly	1 per leg with		
65	331472	Disc Pivot Arm	1		
66	253539201	Bush - Self Lubricating	2		
67	202030035	Grease Nipple 1/4" UNF Straight	2		
68	331408	Disc Spindle with Mounting Flange	1		
69	208016800	Split Cotter Pin	1		
70	307224080	Slotted Nut 24	1		
71	308240010	Flat Washer M24	1		
72	301098	Dust Cap	1		
73	262717042	Oiaseal - Double Lipped	1		
74	251425071	Taper Roller Bearing	2		
75	62962	Hub Cap			
76	301410255	Setscrew M10 x 25	6		
77	308100045	Spring Washer M10	6		
78	307210015	Fullnut M10	6		
79	202030035	Grease Nipple 1/4" UNF straight	1		
80	331409	Disc Pivot Bracket	1		
81	331476	Buffer (208051810)	1		
82	Not allocated				
83	307212055	Selflock Nut M12	1		
	331502	Adjuster Bracket Assembly	1 with		
84	331474	Adjuster Bracket	1		
85	253539201	Bush - Self Lubricating	2		
86	202030035	Grease Nipple 1/4" UNF Straight	1		
87	307224055	Selflock Nut M24	1		
88	331523	Flat Washer	1		
89	Not Allocated				
90	331477	Collar	1		
91	208014645	Spirol Pin	1		
92	331473	Coulter Stalk	1		
93	301212605	Bolt M12 x 60	1		
94	308120045	Spring Washer M12	1		
95	307212015	Full Nut M12	1		
96	Not Allocated				
97	Not Allocated				

Howard Paraplow 1000 Series -Parts List

DEPTH CONTROL ASSEMBLY



Howard Paraplow 1000 Series Numerical Index

<i>Part No.</i>	<i>Illus. or Item No</i>	<i>Bin No.</i>	<i>Part No.</i>	<i>Illus. or Item No</i>	<i>Bin No.</i>	<i>Part No.</i>	<i>Illus. or Item No</i>	<i>Bin No.</i>	<i>Part No.</i>	<i>Illus. or Item No</i>	<i>Bin No.</i>
62962	75		331474	84		208092060	62		307212055	83	
62962	124		331476	81		208092070	10		307216055	102	
68594	132		331477	90		208107085	55		307216055	114	
301098	72		331483	63		208109100	47		307220015	21	
301098	119		331502	84		208109110	46		307220015	25	
313117	108		331506	12		208109110	50		307220015	30	
313118	107		331507	9		208109120	43		307220015	105	
313119	107		331510	6		209028290	128		307224055	34	
330115	15		331511	18		209028300	129		307224055	87	
331401	22		331515	13		209028445	133		307224080	70	
331402	64		331516	4		209057010	64		307224080	125	
331403	98		331517	18		209067190	131		308100040	44	
331404	40		331518	14		209070160	130		308100040	48	
331405	1		331523	88		251425071	74		308100040	51	
331406	1		331531	40		251425071	121		308100045	77	
331407	65		331532	31		253539201	66		308120015	38	
331408	68		331533	32		253539201	85		308120015	58	
331409	80		331536	52		262717042	73		308120040	57	
331410	111		332163	123		262717042	120		308120045	59	
331411	99		650247	15		301212605	93		308120045	94	
331412	98		202030035	67		301220655	19		308160015	101	
331413	115		202030035	79		301220655	103		308160015	113	
331425	53		202030035	86		301220755	22		308200015	23	
331433	41		202030035	106		301410255	76		308200015	28	
331434	54		202030035	122		301412200	56		308200045	20	
331435	42		208012715	16		301412355	60		308200045	24	
331436	52		208014645	91		301612125	36		308200045	29	
331437	45		208014645	117		301616125	112		308200045	104	
331438	49		208015195	110		301616145	100		308240010	71	
331441	33		208016800	69		301620165	27		308240010	126	
331442	39		208016800	127		307210015	78		308240015	35	
331443	26		208016805	5		307212010	61		308300015	116	
331472	65		208044090	17		307212015	95				
331473	92		208051810	81		307212055	37				