



Chisel Plough CP

CP165 / CP300

PARTS LIST

General Information

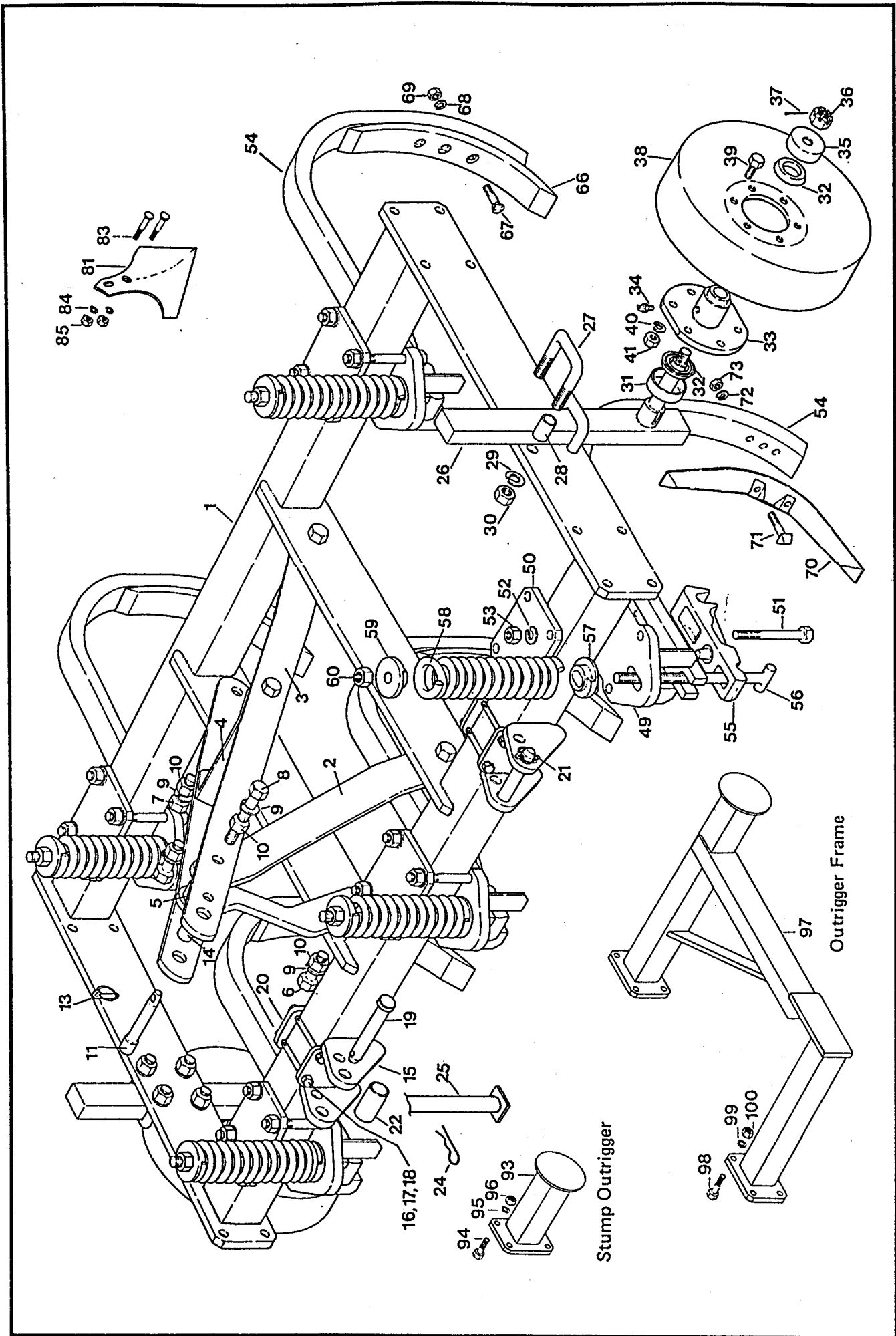
Serial No. Prefix 968N..... CP.....

Serial number is located on front RH side of frame.

Special Notes :

- ▲ Left Hand
- ▼ Right Hand
- ▲ Upper
- ▼ Lower
- ▲▲ Width
- ▼▼ Length
- ▲▲ From Serial Number
- ▼▼ To Serial Number
- ↻ rpm
- ◁ Alternative
- * Change since last print
- 306357x6 Quantity
- 306357# Quantity as required
- ≡ Only for Central
- ⊥ Offset
- Z Number of teeth

Catalogue no.	Issue	Page Affected
77007	5/90	New Issue
"	1/94	1-5

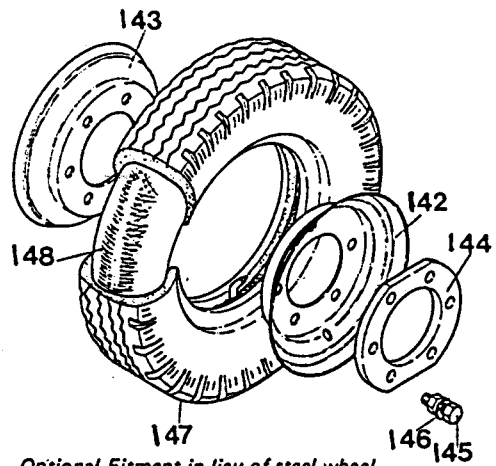


CP165 Chisel Plow

CP165 Chisel Plow

2/93

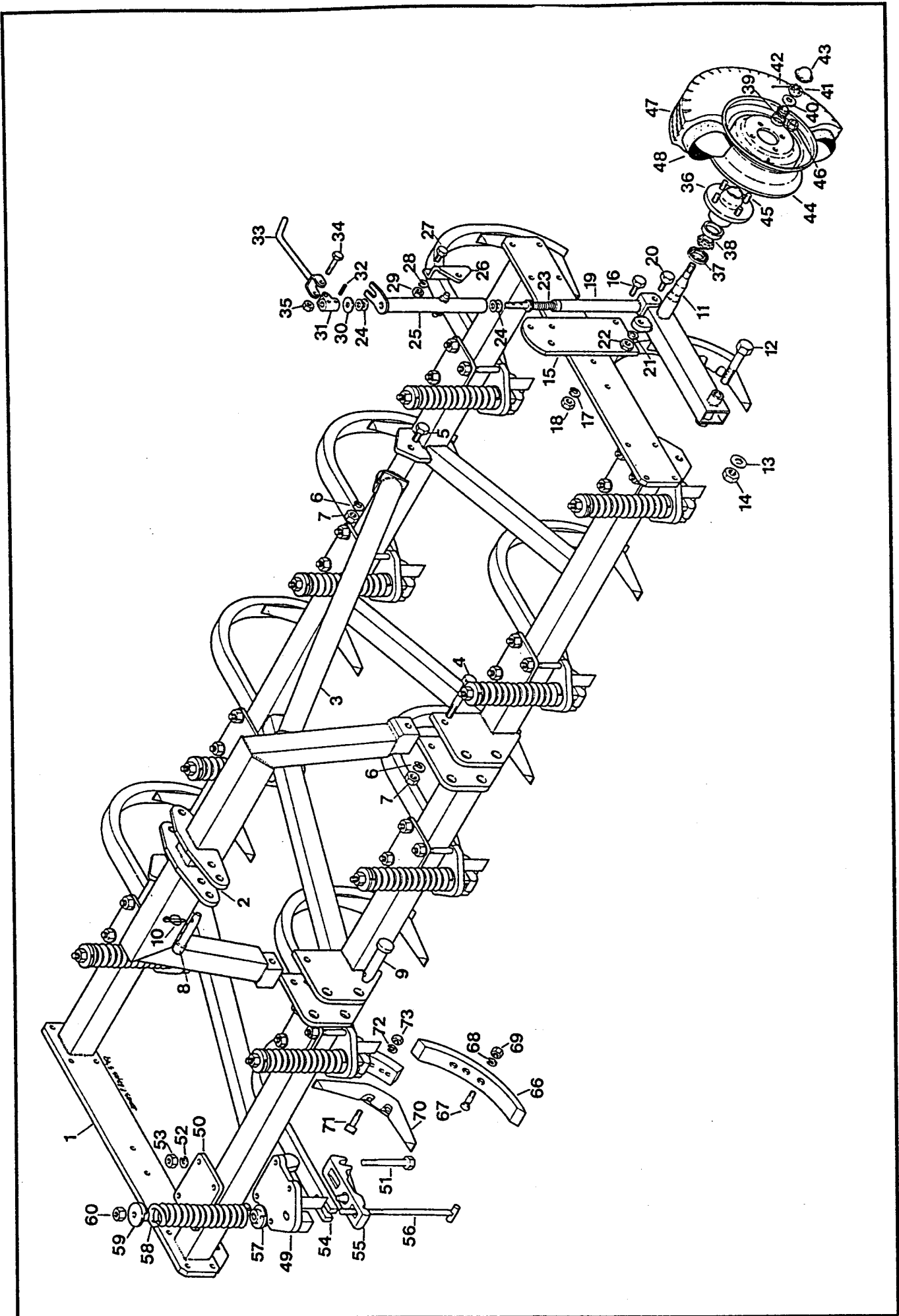
ITEM	PART NO.	DESCRIPTION	QTY	ITEM	PART NO.	DESCRIPTION	QTY
1	76551	Main Frame	1	*66	76757	Point	1 Per
2	76555	Stay (front)	2	*67	74684	Bolt & Nut	2 Per
3	76556	Stay (rear)	2	*68	108081445	Spring Washer 1/2"	2 Per
4	76535	Brace	1	*69	107608015	Nut 1/2" BSW	2 Per
5	76534	Spacer	1				
6	101112165	Bolt 3/4"UNF x 2"	4	70	76772	Buster Point	1 Per
7	101112185	Bolt 3/4"UNF x 2.75"	2	71	101209225	Bolt 9/16"UNCx2.75"	2 Per
8	101112365	Bolt 3/4"UNF x 4.5"	1	72	108091645	Spring Washer 9/16"	2 Per
9	108122045	Spring Washer 3/4"	7	73	107209015	Nut 9/16" UNC	2 Per
10	107112015	Nut 3/4"UNF	7				
11	73358	Hitch Pin Cat. 2	1	*81	76765	Duckfoot 10"	1 Per
*11	70071	Hitch Pin Cat. 1	1	*83	208057020	Plough Bolt 1/2"BSW	2 Per
13	610661	Cotter Assembly	1	*84	108081445	Spring Washer 1/2"	2 Per
*14	65577	Sleeve Cat 1/2	1	*85	107608015	Nut 1/2" BSW	2 Per
15	76594	Clevis Hitch	2				
16	101110405	Bolt 5/8" UNF x 5"	4			CP60 Extension Kit	
17	107110015	Spring Washer 5/8"	4	*93	76570	Stump Outrigger	2
18	108101745	Nut 5/8" UNF	4	*94	301216505	Bolt M16 x 50	8
19	611303	Pin Cat. 2	2	*95	308160045	Spring Washer M16	8
*19	610992	Pin Cat. 1	2	*96	307216015	Nut M16	8
20	76595	Clamp Plate	2				
21	610661	Cotter Assembly	2			CP150 Extension Kit	
*22	610660	Sleeve Cat. 1/2	2	*97	76573	Outrigger Frame	2
24	208014060	R Clip	1	*98	301216505	Bolt M16 x 50	16
25	76596	Park Stand	1	*99	308160045	Spring Washer M16	16
*26	76638	Axle	2	*100	307216015	Nut M16	16
*27	76627	U Bolt	4				
*28	76643	Sleeve	8	NI	70685	Transfer 'Howard'	2
*29	308200045	Spring Washer M20	8	NI	70687	Transfer 'Howard'	2
*30	307220015	Nut M20	8				
*31	610778	Inner Cap	2				
*32	79810	Seal	4				
*33	611318	Hub	2				
*34	202030880	Grease Nipple	2				
*35	79809	Cap	2				
*36	107112055	Nut 3/4" UNF Slotted	2				
*37	208016390	Split Pin M4.0 x 32	2				
*38	79804	Steel Wheel	2				
*39	101308105	Setscrew 1/2"UNFx1	12				
*40	108081445	Spring Washer 1/2"	12				
*41	107108015	Nut 1/2" UNF	12				
49-60 Chatter Tool Assy							
49	76722	Bracket	1 Per				
50	76680	Clamp Plate	1 Per				
51	301616145	Bolt M16x140	4 Per				
52	308160045	Spring Washer M16	4 Per				
53	307216015	Nut M16	4 Per				
54	76688	Tool Shank	1 Per				
55	76719	Hinge Plate	1 Per				
56	76685	Tee Bolt	1 Per				
57	76711	Cap - Bottom	1 Per				
58	76684	Spring	1 Per				
59	76687	Cap - Top	1 Per				
60	107612015	Nut 3/4" BSW	1 Per				



Optional Fitment in lieu of steel wheel

142	71869	Half Rim w/- valve hole	2
143	71870	Half Rim	2
144	79813	Flange	2
145	101108120	Bolt 1/2" UNF x 1 1/2" Hex.HT.	12
146	108081430	Shakeproof Washer 1/2" Int.	12
147	209029200	Tyre 4.00 x 8 6 ply	2
148	209029210	Tube 4.00 x 8	2

* Indicates options not fitted as standard.



CP300 Chisel Plow

CP300 Chisel Plow

ITEM	PART NO.	DESCRIPTION	QTY	ITEM	PART NO.	DESCRIPTION	QTY
1	76557	Frame	1	49-60		Chatter Tool Assy	
2	76565	Top Mast	1	49	76722	Bracket	1 Per
3	76588	Backstay	2	50	76680	Clamp Plate	1 Per
4	301620135	Bolt M20 x 130	2	51	301616145	Bolt M16x140	4 Per
5	301420455	Setscrew M20 x 45	4	52	308160045	Spring Washer M16	4 Per
6	308200045	Spring Washer M20	6	53	307216015	Nut M16	4 Per
7	307220015	Nut M20	1	54	76688	Tool Shank	1 Per
8	73358	Hitch Pin Cat 2	2	55	76719	Hinge Plate	1 Per
9	611303	Hitch Pin Cat 2	3	56	76685	Tee Bolt	1 Per
10	610661	Cotter Assy	1	57	76711	Cap - Bottom	1 Per
*11	76567	Wheel Arm LH	1	58	76684	Spring	1 Per
	76568	Wheel Arm RH	1	59	76687	Cap - Top	1 Per
*12	101216445	Bolt 1" UNC x 5.5	2	60	107612015	Nut 3/4" BSW	1 Per
*13	108162635	Washer 1"	2				
*14	107216020	Locknut 1" UNC	2	*66	76757	Point	1 Per
*15	76566	Plate	2	*67	74684	Bolt & Nut	2 Per
*16	301216455	Bolt M16 x 45	4	*68	108081445	Spring Washer 1/2"	2 Per
*17	308160045	S pring Washer M16	4	*69	107608015	Nut 1/2" BSW	2 Per
*18	307216015	Nut M16	4				
*19	65651	Inner Tube	2	70	76772	Buster Point	1 Per
*20	301416405	Setscrew M16 x 40	2	71	101209225	Bolt 9/16"UNCx2.75"	2 Per
*21	308160035	Washer M16	2	72	108091645	Spring Washer 9/16"	2 Per
*22	307216025	Nut M16	2	73	107209015	Nut 9/16" UNC	2 Per
*23	65654	Screw	2				
*24	65650	Thrust Washer	8	NI	70685	Transfer 'Howard'	2
*25	65657	Outer Tube	2	NI	70687	Transfer 'Howard'	2
*26	611311	Support	2				
*27	301212355	Bolt M12 x 35	4			for:	
*28	308120045	Spring Washer M12	4			CP60 Extension Kit	
*29	307212015	Nut M12	4			CP150 Extension Kit	
*30	108122415	Flat Washer 3/4"	2			Refer CP165 P/L.	
*31	610775	Block	2				
*32	208012070	Pin	4				
*33	611317	Handle	2				
*34	301210655	Bolt M10 x 65	2				
*35	307210015	Nut M10	2				
*36	209064110	Hub	2				
*37	265737062	Oil Seal	2				
*38	251223061	Bearing	2				
*39	250717061	Bearing	2				
*40	108122410	Flat Washer 3/4"	2				
*41	107112050	Slotted Nut 3/4" UNF	2				
*42	208010580	Split Pin	2				
*43	209029145	Cap	2				
*44	209055200	Wheel Rim	2				
*45	209070050	Stud	8				
*46	209070060	Nut	8				
*47	209058030	Tyre 5.20 x 10, 8 ply	2				
*48	209061030	Tube 5.2 x 10	2				